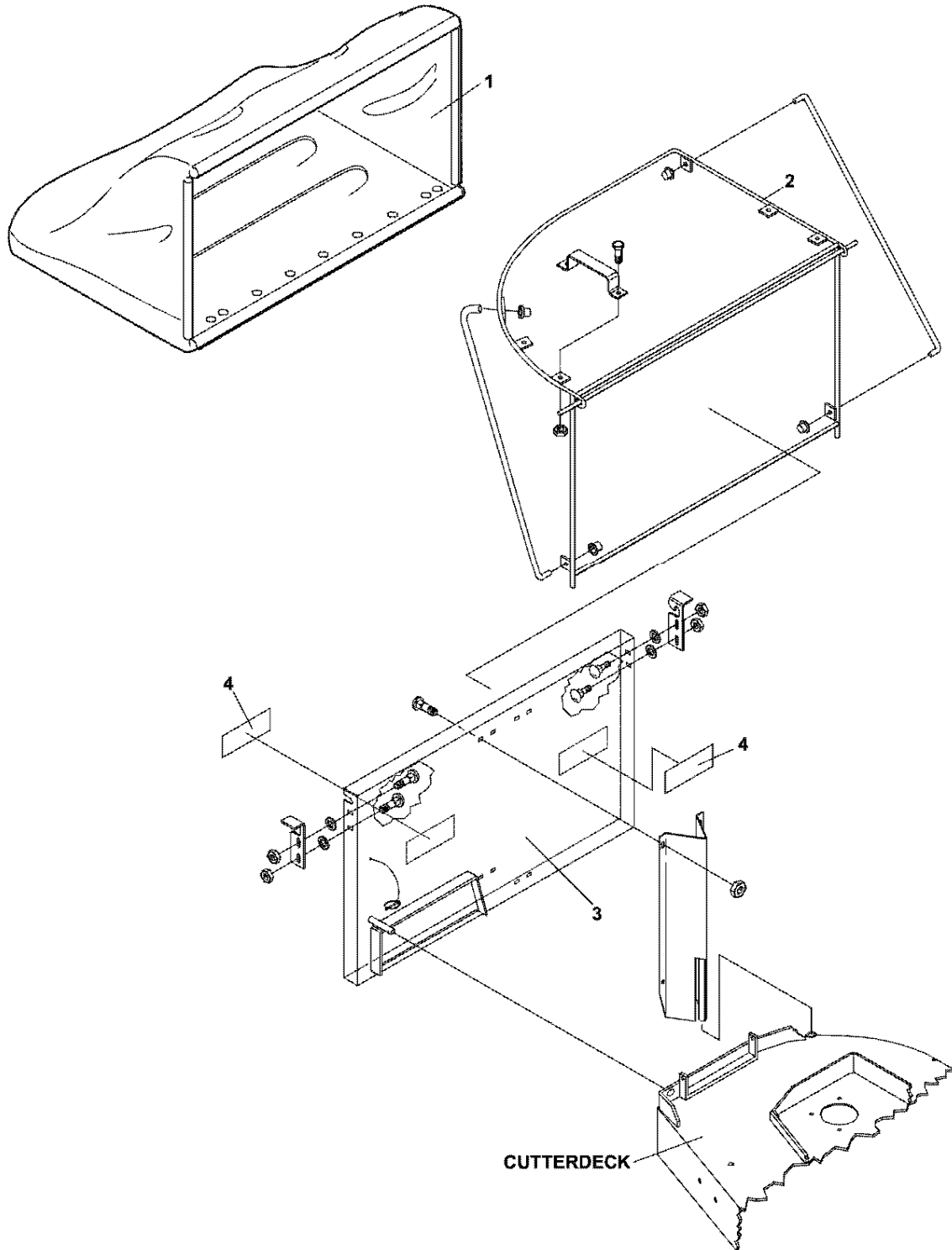


OPTIONAL GRASSCATCHER (970319)

**Gear
Drive
Midsize**

FIGURE 16



**Gear
Drive
Midsize**

OPTIONAL GRASSCATCHER (970319)

FIGURE 16

<u>ITEM</u>	<u>PART NO.</u>	<u>DESCRIPTION</u>	<u>QTY</u>	<u>ITEM</u>	<u>PART NO.</u>	<u>DESCRIPTION</u>	<u>QTY</u>
16-1	4135876	BAG, 3.75 BU CATCHR	1				
16-2	4135875	FRM-ROD 3.75 BU CATCHR	1				
16-3	4135874	PLT-BACK 3.75 BU CATCHR	1				
16-4	2000677	LABEL-DANGER/WARNING	2				