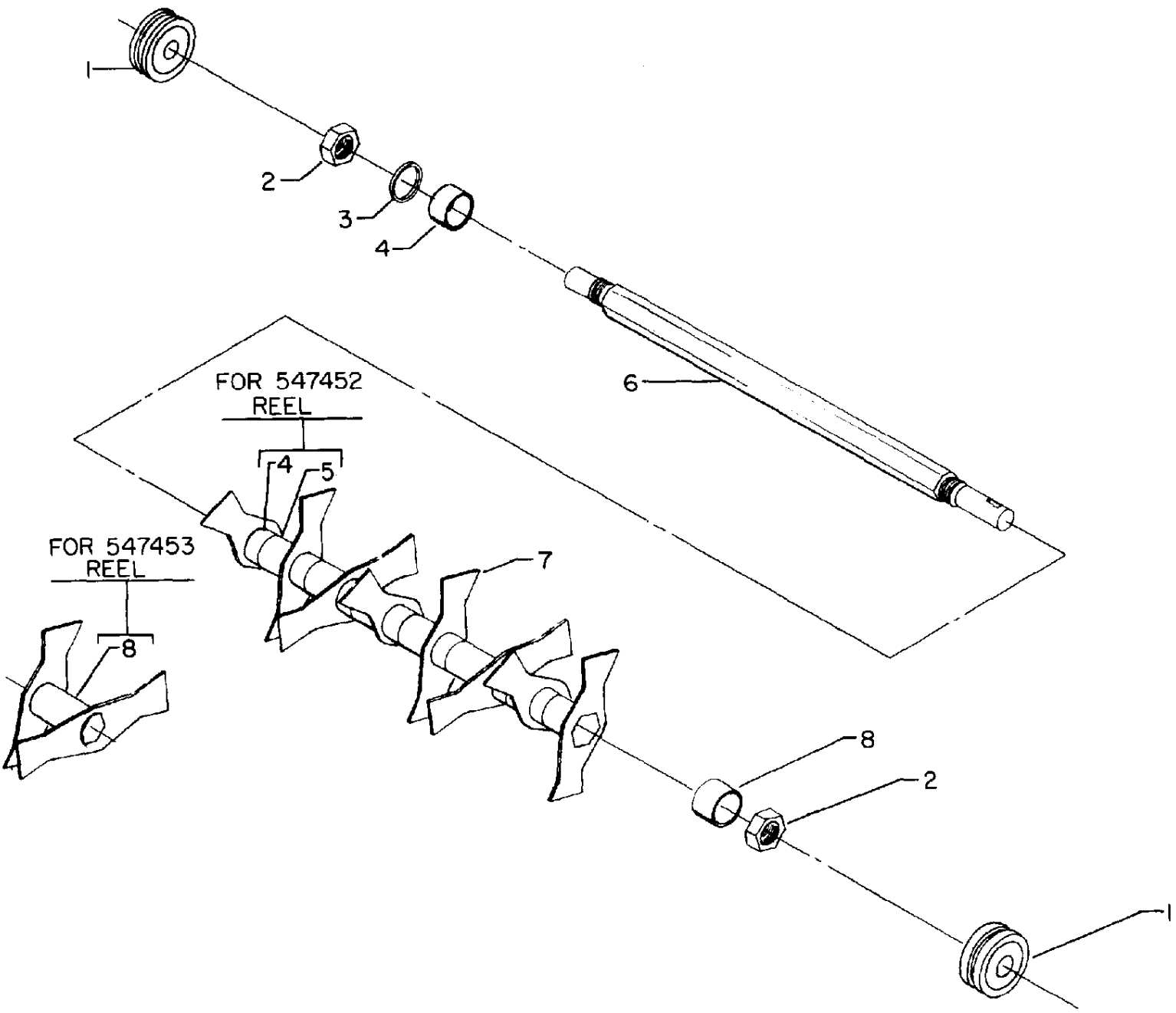
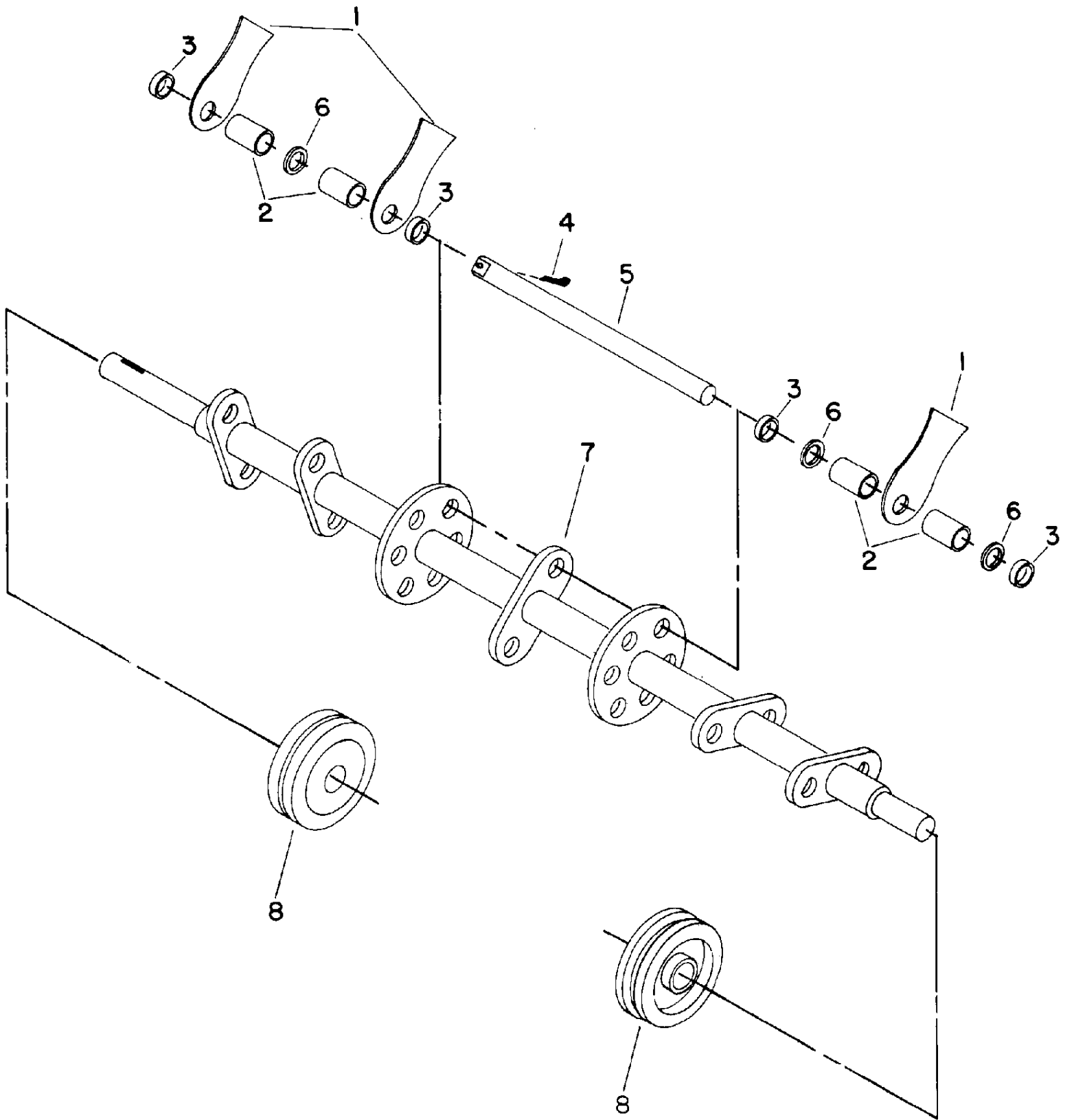


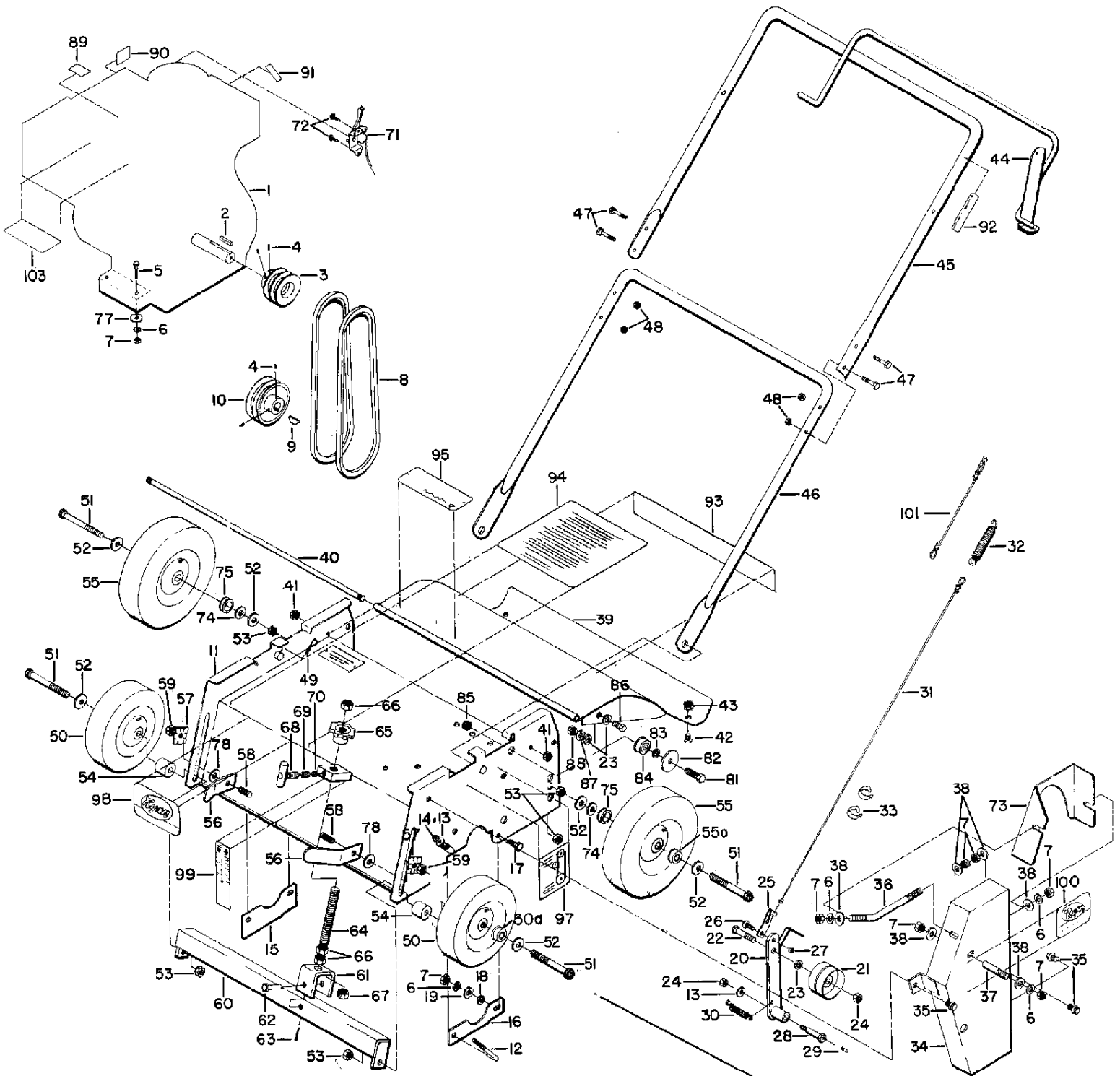
Ref #	Part Number	Qty	Description
	544836	1	Catcher Ass'y
1	520975	1	Catcher Bag
2	544831 1974-1976 - REN-O-THIN Catcher	1	Base, Catcher
3	520949	2	Caster
4	548804	2	Nut, 3/8 - 16 NC Whizlock
5	520976	2	Washer, 25/64 x 1 5/8 x 16 GA.
6	548734	39	Bolt, Truss HD. 1/4 x 1/2
7	548597	43	Nut, Lock 1/4
8	520970	1	Deflector, Catcher
9	520968	1	Channel, Support
10	547471	1	Frame R.H.
11	548164	2	Washer, Flat 3/8 S.A.E.
12	306328	2	Pin, Cotter 3/32 x 3/4
13	547472	1	Frame L.H.
14	520958	1	Tube, Frame
15	520964	2	Spring, Catcher
16	520956	1	Tube, Guide
17	548048	2	Nut, Lock 5/16 - 18 NC
18	316952	2	Washer 5/16 (21/64 I.D. x 9/16 O.D.)
19	520995	2	Angle support
20	547470	1	Bracket, Lock R.H.
21	547469	1	Bracket, Lock L.H.
22	547473	1	Plate, Mounting Ass'y R.H.
23	548692	2	Bolt, 1/2 - 13 NC x 1" Whizlock
24	308332	2	Nut, 1/2 - 13 NC
25	547474	1	Plate, Mounting Ass'y L.H.
26	547477	1	Guard, Ass'y Catcher
26A	520961	1	Decal, Warning
27	520960	1	Guide Bar
28	518474	2	Spring
29	303459	2	Bolt, 1/4 - 20 NC x 1 1/2
34	548735	2	Bolt, Truss HD. 1/4 NC x 3/4



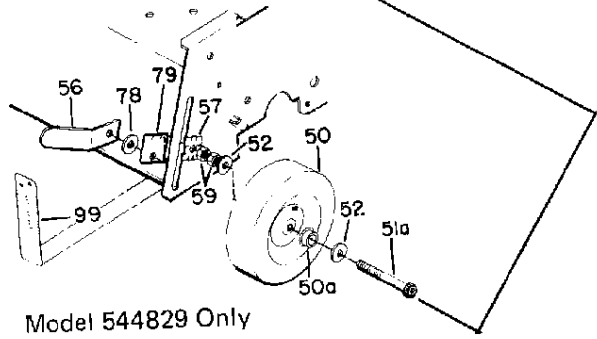
Ref #	Part Number	Qty	Description
1	544292	2	Pillow Block
2	305134	2	Nut
3	544831 1974-1976 - REN-O-THIN Fixed Reel (P/N 547452)	1	Washer
4	516903	13	Spacer, 1/2"
5	516905	12	Spacer, .900"
6	517148	1	Shaft
7	516900	13	Blade Blade Not used on this model
8	516904	1	Spacer, .700"
	547452		Fixed Reel 1/16"



Ref #	Part Number	Qty	Description
	544440		Flail Reel Complete
1	516897	18	Blade
2	544831 1974-1976 - REN-O-TIP	24	Spacer
3	517162	24	Spacer
4	306956	6	Pin, cotter
5	517155	6	Shaft
6	548163	18	Washer
7	546377	1	Shaft
8	544292	2	Pillow Block



For parts information on reels
see page 9



Model 544829 Only

Ref #	Part Number	Qty	Description
1			Engine B & S 4 H.P. Not used on this model
2	548290 544831 1974-1976 - REN-O-THIN General Assembly	1	Engine B & S 7 H.P. Page 8 of 10
	548367	1	Key - SQ 3/16 x 3/4 Not used on this model
3			Key - SQ 1/4 x 1"
			Pulley Not used on this model
	517097	1	Pulley
4	548201	4	Screw - Set 5/16 - N.C,
5			Bolt - 5/16 N.C. 1 1/2 Not used on this model
	306423	4	Bolt - 5/16 N.C. 1 3/4
6	306325	9	Washer - Lock 5/16 Spring
7	306932	12	Nut, 5/16 N.C.
8	548997	1	Belts (matched pair)
			Belt Not used on this model
9	306367	1	Key - Woodruff 3/16
10			Pulley Not used on this model
	517139	1	Pulley
11			Chassis W.A. (non-float) Not used on this model
	547461	1	Chassis W.A.
12	519043	2	Rod
13	548155	3	Washer Flat 5/16 (3/8 x 7/8 x 3/32)
14	548993	2	Nut Lock 3/8 N.F. Reg.
15	520942	1	Clamp R.H.
16	518972	1	Clamp L.H.
17	306322	2	Bolt 5/16 N.C. x 7/8
18	517226	2	Bushing
19	548154	2	Washer - Flat 1/4 (5/16 x 3/4 Std.)
20	547435	1	Arm - Idler W.A.
21	520870	1	Pulley - Idler Flat
22	551094	1	Bolt 3/8 NC x 1 3/4
23	548164	5	Washer - Flat 3/8
24	548052	2	Nut Lock 3/8 N.C.
25	520878	1	Bar - Cable Clip
26	548735	1	Bolt 1/4 N.C. x 3/4 Truss Hd
27	306375	1	Nut 1/4 N.C.
28	520864	1	Bolt - Shoulder 3/8 N.C.
29	548224	1	Fitting Grease
30	548995	1	Spring Extension
31	547445	1	Cable Ass'y
32	548994	1	Spring Extension 1
33	548909	2	Clip - Handle
34	547467	1	Guard W.A. - Belt
35	548901	3	Bolt 5/16 N.C. x 1/2 Wiz
36	520879	1	Rod - Belt Guide 1
37	520902	1	Rod - Belt Stop
38	120196	6	Washer Flat 5/16 SAE
39	547458	1	Guard W.A.
40	520877	1	Rod - hinge
41	548048	2	Nut-Lock 5/16 N.C.
42	548961	2	Screw - 1/4 N.C. x 1/2" Rd Hd (Nylon)
43	548943	2	Nut - 1/4 N.C. (Nylon)
44	547441	1	Bail Control W.A.
45	520868	1	Bar Handle (upper)
46	520869	1	Bar Handle (lower)
47	303459	4	Bolt 1/4 N.C. x 1 1/2

Ref #	Part Number	Qty	Description
48	548597	4	Nut Lock 1/4 N.C.
49	548190	2	Pin - Hair 3/32 x 1 3/4
50	547436	2	Wheel Ass'y 8" x 1.75
50A	520983	4	Brg. - Ball
51	548990	4	Bolt 1/2 N.C. x 4 Soc. Hd.
51			Bolt 1/2 N.C. x 3 1/4 Soc. Hd. Not used on this model
51A			Bolt 1/2 N.C. x 3 Soc. Hd. Not used on this model
52	548157	6	Washer, Flat 1/2 (17/32 x 1 1/4 Std.)
53	308332	6	Nut 1/2 N.C.
54	520875	2	Spacer
55	547437	2	Wheel Ass'y 10" x 2.75
55A	520982	4	Brng. - Ball
56	520881	2	Lever - Wheel Lock
57	520892	2	Clamp Block
58	548992	2	Screw - Set 1/2 N.C. x 1" Cup point
59	306933	2	Nut - Jam 1/2 N.C.
60	547463	1	Axle Support W.A.
61	520874	1	Yoke
62	520876	1	Pin, Clevis 1/2
63	304635	1	Pin, Cotter 1/8 x 1"
64	520880	1	Stud - Adj. Screw (5/8 N.C.)
65	517174	1	Knob
66	200652	3	Nut, Jam 5/8 N.C.
67	548072	1	Nut, Lock 5/8 N.C.
68	547446	1	Screw - Locking Ass'y
69	548991	1	Insert - Locking
70	520939	1	Plug
71	547442	1	Control Throttle
72	548020	2	Bolt No. 10 x 5/8 Type A Pan Hd.
73	547465	1	Guard-Belt Inner
74	515889	2	Spacer
75	520937	2	Seal, V-Ring
77	548159	4	Washer - Fender 5/16 x 1 1/4
78	520940	2	Spacer Or As Req'd
79			Washer-Gauging Not used on this model
81	311393	1	Bolt 1/2 N.C. x 1 1/4
82	515235	1	Washer Flat 1/2 x 2" O.C. x .104
83	548167	1	Washer Flat 1/2 x 3/4 x 1/32 Fiber
84	520982	1	Brg. - Ball
85	548076	1	Nut Lock 1/2 N.C.
86	306834	2	Bolt 3/8 N.C. x 3/4
87	120177	2	Washer Lock 3/8
88	306562	2	Nut 3/8 N.C. R 4-10
89	520909	1	Decal "Stop"
90	520914	1	Decal - Throttle
91	520910	1	Decal "Choke"
92	520912	1	Decal - Clutch
93			Decal - Ren-O-Thin II, Power Rake R 4-10 Not used on this model
			Decal - Ren-O-Thin III Power Rake R 4-10 Not used on this model

Ref #	Part Number	Qty	Description
	520917	1	Decal - Ren-O-Thin IV Power Rake R 4-10
94	544831 1974-1976 - REN-O-THIN	1	Decal - Instructions II Not used on this model
	520926	1	Decal - Instructions III & IV
	General Assembly		
95	520908	1	Decal - Warning
97	520935	1	Decal (Belt Installation)
98	520576	1	Decal - Ryan
99	520913	1	Decal - Ht. Adj.
100	520575	1	Decal - Ryan
101	547447	1	Cable Upmill Ass'y
103	520948	1	Decal - Warning Gasoline