

RYAN®

TEXTRON

TURF CARE AND SPECIALTY PRODUCTS

Installation Instructions

IMPORTANT!

Read all instructions thoroughly before beginning installation. When you complete the installation, put this instruction with operator's manual in the bag on the vehicle. These instructions alert you to certain things you should do very carefully, if you don't, you could: hurt yourself or bystanders, hurt the next person who operates the equipment, or damage the accessory or the vehicle it is used on.



This "HAZARD" symbol is used to alert you to information about unsafe actions or situations, and will be followed by the word DANGER, WARNING, or CAUTION. Used with the word DANGER it will describe immediate hazards that may result in severe personal injury or death. With the word WARNING it will describe unsafe actions or situations that may cause severe injury, death and/or major equipment or property damage. With the word CAUTION it will describe unsafe actions or situations that may cause injury, and/or minor equipment or property damage.

NOTICE

This NOTICE symbol is used to alert you to information that describes procedures or tips that will help you install, operate and maintain your equipment properly.

CONTROL ROD SET PART NO. 540313 FOR RYAN® LAWNAIRE® IV AND LAWNAIRE® V MODELS 544863, 544881 AND 544883

This set was developed to improve the design of the control rod on the Lawnaire® IV and Lawnaire® V aerators. It is a direct replacement for the previous control rod and should provide you with improved control and added reliability.

NOTICE

- **BE SURE** to thoroughly read and understand all instructions before attempting to install this set. If any part of these instructions is not understood contact your local Ryan® dealer for clarification before proceeding.
1. Place unit onto a soft surface such as plywood to allow the tines to be lowered while working on unit without damaging the tines or the surface below the unit. If the tines have been removed, this step will not be required.
 2. Remove and retain extension spring from height adjustment link (refer to Figure 1). This will relieve the pressure on the control arm and allow it to be removed easily.
 3. Remove parts A thru F as shown in figure 1.
 4. Older models will have a tab welded on half way down the handle bar where the old control rod was supported. To install the new control rod, this tab must be cut off as shown in figure 1.

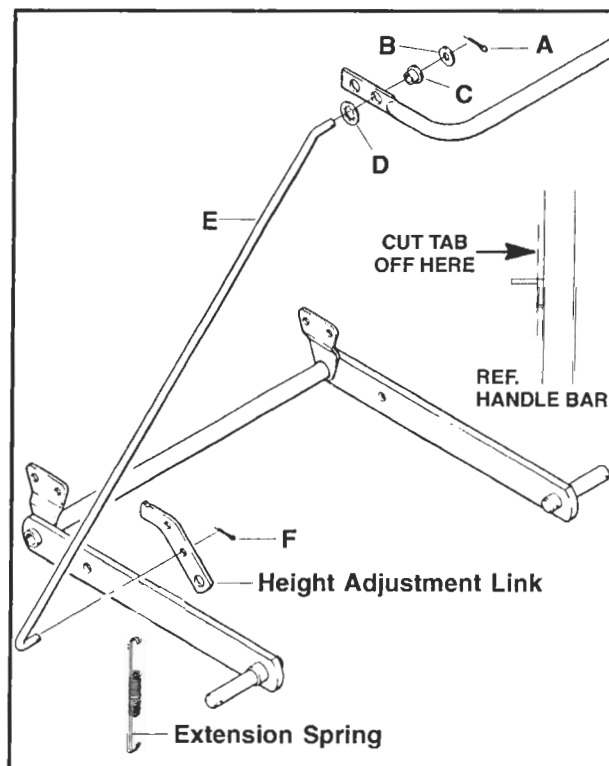


FIGURE 1

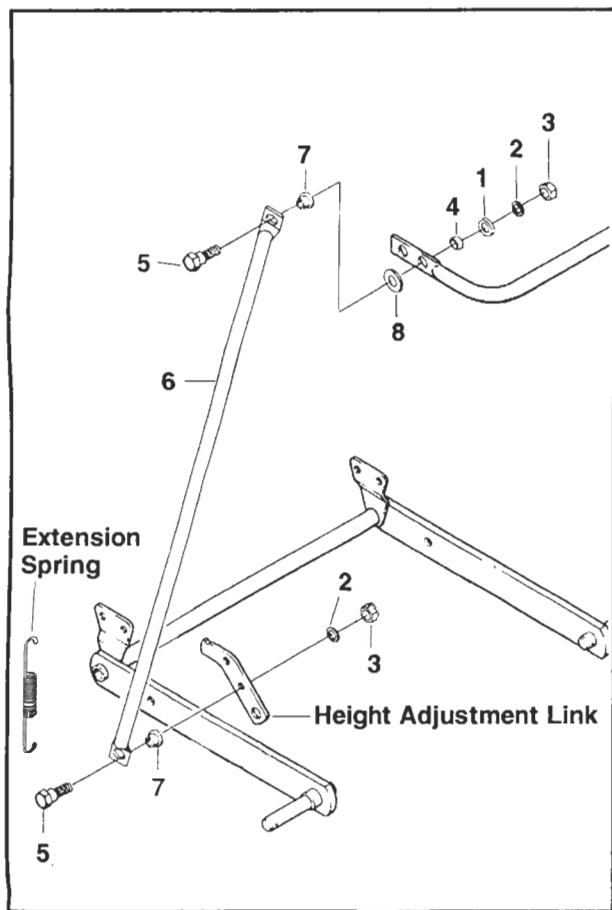


FIGURE 2

5. Attach new control arm with hardware (from kit) exactly as shown in figure 2.

NOTICE

- **BE SURE** the flange side of the split bearings (Part No. 524643) are facing toward the unit as shown in figure 2.
6. Secure all hardware.
 7. Reconnect extension spring to height adjustment link.
 8. If tines were removed, replace them at this time. **BE SURE** tines are secured before operating unit.

NOTICE

- **BE SURE** all hardware is secure and control arm is operating properly before putting unit back into service.

Control Rod Set Parts List

Ref. No.	Part No.	Description	No. Req'd	Ref. No.	Part No.	Description	No. Req'd
	540313	Control Rod Set	1	5	524633	•Screw, shoulder, 5/16-18 x 1" ..	4
1	103867	•Washer, 5/16"	2	6	524638	•Tube, control	2
2	306325	•Lockwasher, 5/16"	4	7	524643	•Bearing, split	4
3	306932	•Nut, 5/16-18	4	8	548159	•Washer, 5/16"	2
4	517226	•Bushing	2				

• INDENTED PART NAMES INDICATE THESE PARTS ARE INCLUDED IN PRECEDING ASSEMBLY