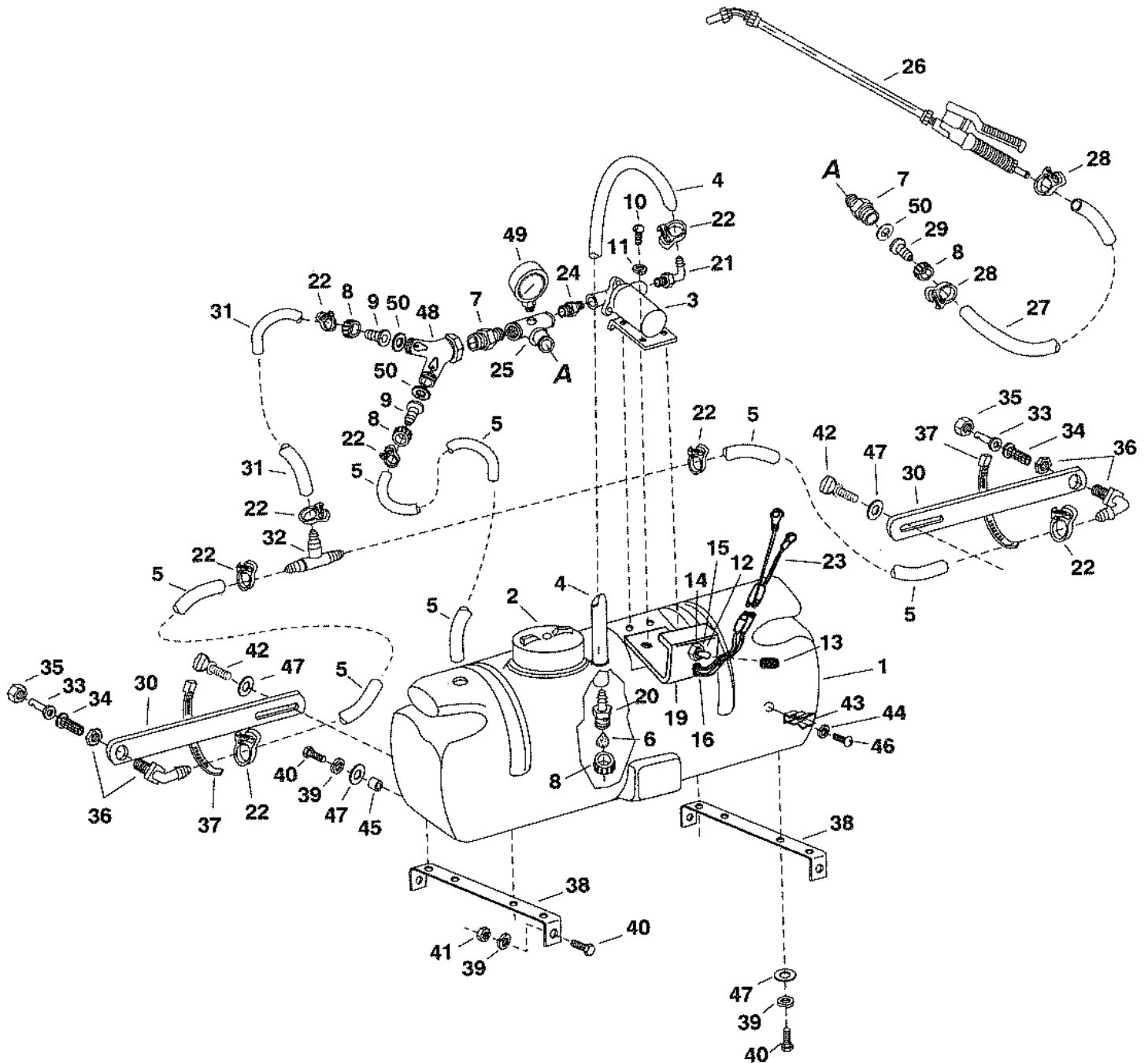


REPAIR PARTS FOR 15 GALLON SPRAYER MODEL 63152



REPAIR PARTS LIST FOR 15 GALLON SPRAYER MODEL 63152

REF. NO.	PART NO.	QTY.	DESCRIPTION	REF. NO.	PART NO.	QTY.	DESCRIPTION
1	46478	1	Tank (15 Gal.)	27	45023	1	Hose, 3/8" ID (12' 6" Lg)
2	46700	1	Lid	28	45026	2	Clamp, 3/8" Hose
3	45015	1	Pump and Motor	29	45034	1	Hose Barb, 3/8"
4	46278	1	Hose, 1/2" ID (24" Lg.)	30	24122	2	Boom Bar
5	45021	3	Hose, 1/2" ID (20" Lg)	31	45022	1	Hose, 1/2" ID (14" Lg)
6	45024	1	Strainer, Cap Type 1"	32	45027	1	Tee, Plastic 1/2" Hose
7	45031	2	Adapter, 1/2" NPT x Hose	33	45028	2	Nozzle, SS Floodjet
8	45032	4	Nut, Swivel 3/4" Garden Hose	34	45029	2	Strainer, Screen Type
9	45033	2	Hose Barb, 1/2"	35	45037	2	Nut, Screen Body
10	45069	4	Screw, Ph. Pan Hd. 10-24 x 1" Lg.	36	45030	2	Elbow, Plastic 11/16 Thd.
11	43910	4	Washer, Flat #10 SAE	37	726-0178	2	Nylon Tie
12	45084	1	Switch, On - Off	38	24179	2	Bracket, Tank Mount
13	45082	1	Boot, Rubber Switch	39	43086	10	Lock Washer, 5/16"
14	45080	1	Plate, On - Off Switch	40	43063	10	Bolt, Hex 5/16-18 x 1" Lg.
15	45048	1	Nut, Hex 15/32-32 Thd.	41	43083	4	Hex Nut, 5/16-18 Thread
16	45087	1	Bushing, Strain Relief	42	46528	2	Bolt, Wing 5/16-18 x 3/4" Lg.
17	45085	1	Terminal, .25 Male Tab (not shown)	43	45180	1	Hose Clip
18	45086	1	Terminal, .25 Female Tab (not shown)	44	736-0722	1	Lock Washer, 3/16 #10
19	23889	1	Bracket, Switch Mounting	45	23519	2	Spacer
20	46276	1	Adapter, 3/4" GH x 1/2" Barb	46	46677	1	Screw, Phillips Hd. #10-24 x 3/8"
21	46277	1	Elbow, 3/8 NPT x 1/2" Barb	47	43081	8	Washer, 5/16" Std. Wrt.
22	45025	8	Clamp, 1/2"	48	45017	1	Hose "Y" W / Valves 3/4"
23	45018	1	Connector with Wire	49	45071	1	Gauge, Pressure 2" 100 PSI
24	45049	1	Nipple, (Nylon) 1/2" x 3/8" Red.	50	45072	3	Gasket, 3/4" Garden Hose
25	45050	1	Tee, 1/2" x 1/2" x 1/2" (1/4" Port)		46912	1	Owners Manual
26	45016	1	Spray Gun (Italy Made)				