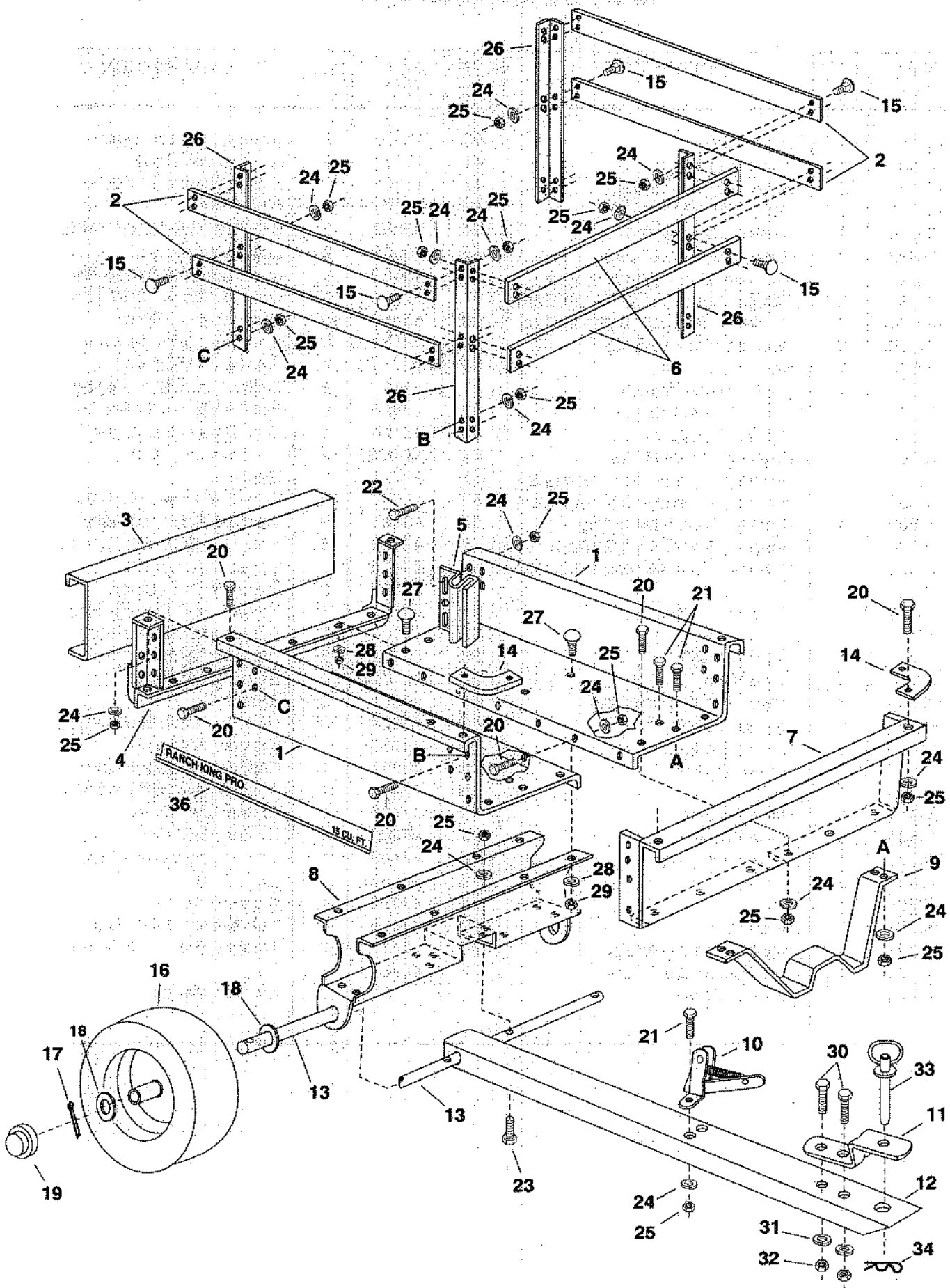


# REPAIR PARTS FOR 15 cu. ft. CART MODEL NO. 501712-206



# REPAIR PARTS FOR 15 cu. ft. CART MODEL NO. 501712-206

REF. NO.	PART NO.	QTY.	DESCRIPTION
1	23985	2	Cart Body
2	23088	4	Board Side, 1" x 3" x 46-1/2"
3	23502	1	Tailgate
4	62458	1	Sub ass'y. - Rear Angle
5	23548	2	Guide, Tailgate
6	23089	2	Board Front, 1" x 3" x 31-1/2"
7	23492	1	Front Panel
8	23507	1	Wheel Support
9	23297	1	Latch Stand Bracket
10	62455	1	Ass'y., Latch Lock
11	23014	1	Hitch Bracket
12	23988	1	Draw Bar Tongue
13	23299	1	Wheel Axle 1" Dia.
14	23484	2	Cap, Front Corner
15	43176	24	Bolt Carriage 1/4-20 x 1"
16	43594	2	Wheel Ass'y.
17	43093	2	Cotter Pin, 1/8" Dia. x 1-1/2"
18	43601	4	Washer, Flat 1.032" ID
19	43014	2	Hub Cap
20	43175	29	Hex Bolt, 1/4" x 1/2"
21	43866	6	Hex Bolt, 1/4" x 5/8"
22	43012	6	Hex Bolt, 1/4" x 3/4"
23	1509-69	2	Hex Bolt, 1/4" x 1-3/4"
24	43177	67	Lock washer, 1/4" ID
25	43178	67	Hex Nut, 1/4-20 Thread
26	23086	4	Angle Bracket
27	43814	14	Slotted Truss Hd Bolt 5/16" x 3/4" Lg.
28	43086	14	Lock Washer, 5/16" ID
29	43083	14	Hex Nut, 5/16-18 Thread
30	43001	2	Hex Bolt, 3/8" x 1"
31	43003	2	Lock Washer, 3/8" ID
32	43015	2	Hex nut, 3/8-16 Thread
33	43884	1	Hitch Pin (Miller 12H)
34	43343	1	Hairpin Cotter, 1/8" #4
35	47077	1	Label, "RANCH KING PRO" L.H. (not shown)
36	47076	1	Label, "RANCH KING PRO" R.H.
	47079	1	Owner's Manual