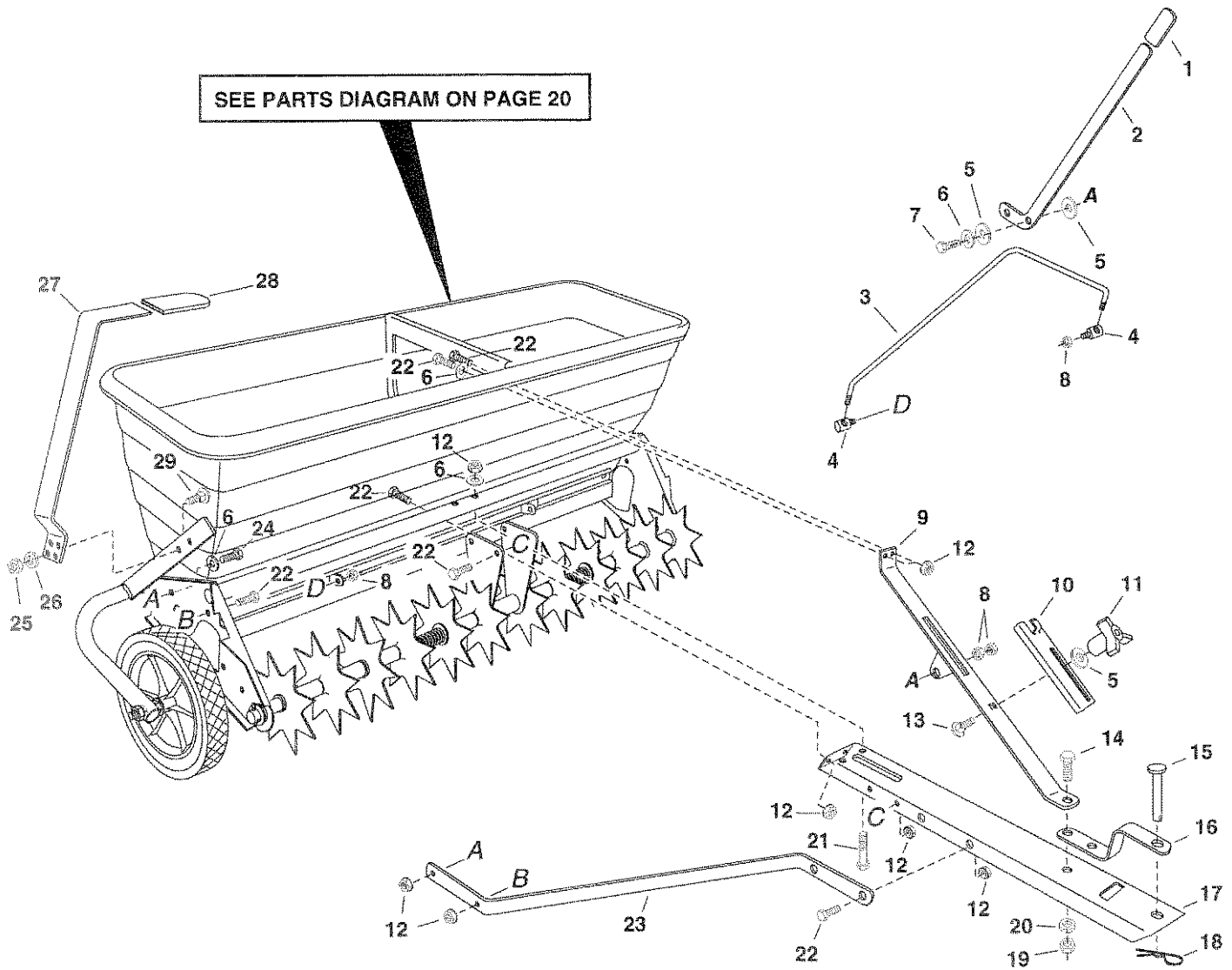


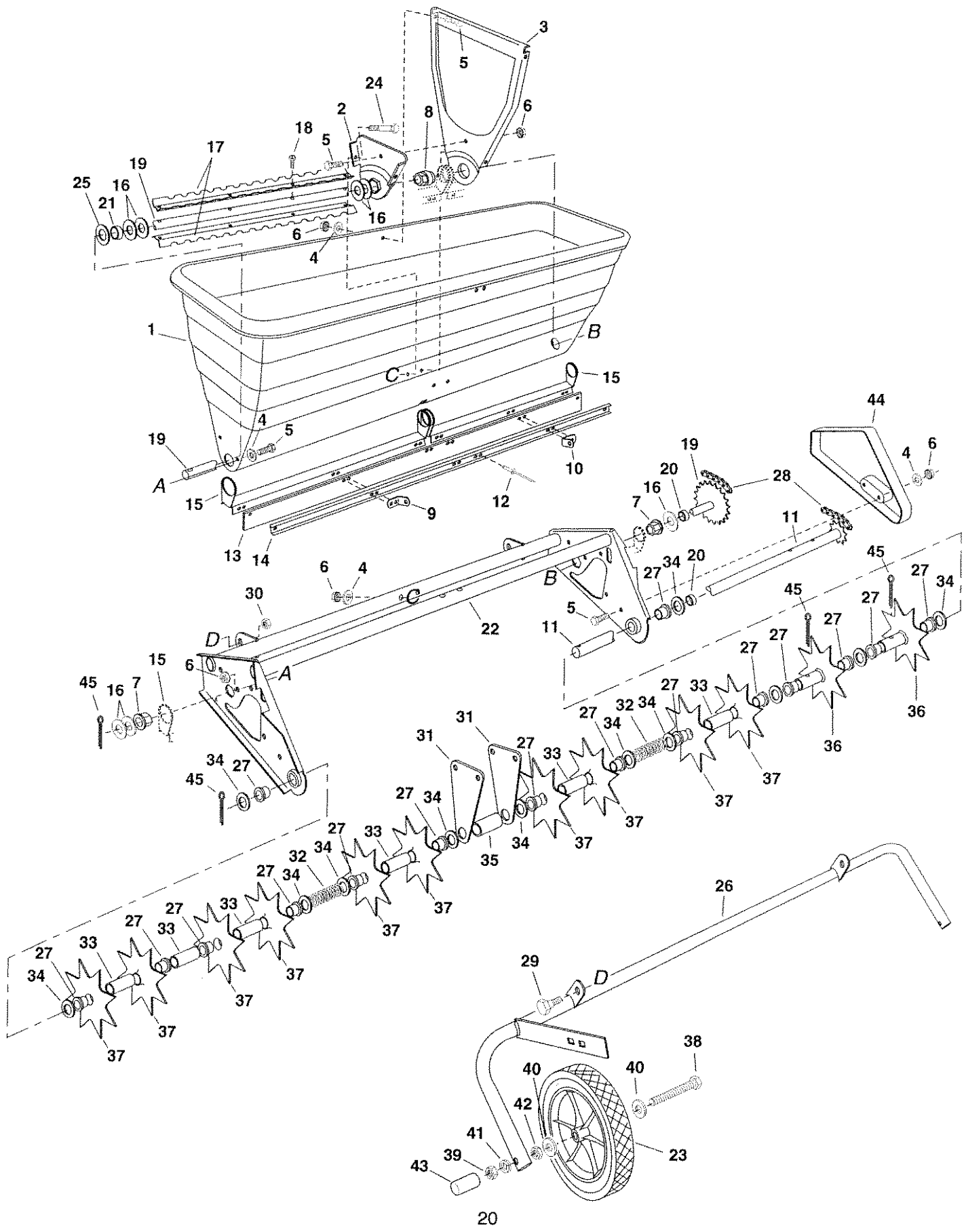
PARTS FOR 175 LB. POLY "PRO" SPIKER/SPREADER MODEL 45-0301

SEE PARTS DIAGRAM ON PAGE 20



REF. NO.	PART NO.	QTY.	DESCRIPTION	REF. NO.	PART NO.	QTY.	DESCRIPTION
1	43848	1	Grip, Plastic	15	47623	1	Pin, Hitch 3/8" Flat Hd.
2	24660	1	Arm, Flow Control	16	23014	1	Hitch Bracket
3	47712	1	Rod, Flow Control	17	24531	1	Tongue
4	47711	2	Ferrule	18	43343	1	Pin, Hair Cotter #4 (1/8")
5	1543-69	3	Washer, Nylon	19	43082	1	Nut, Hex Lock 3/8-16 Thd.
6	43088	15	Washer, 1/4"	20	43003	1	Lock Washer, 3/8"
7	1509-90	1	Bolt, Hex 1/4-20 x 1-1/4" Lg.	21	1509-69	4	Bolt, Hex 1/4-20 x 1-3/4" Lg.
8	43013	4	Nut, Hex Lock 1/4-20 Thd.	22	43866	20	Bolt, Hex 1/4-20 x 5/8"
9	63850	1	Brace Assembly, Hopper	23	24532	2	Brace, Tongue
10	24542	1	Gauge, Flow Control	24	43012	2	Bolt, Hex 1/4-20 x 3/4"
11	43849	1	Knob, Plastic 1/4-20 Thd.	25	43083	2	Nut, Hex 5/16-18
12	46978	26	Nut, Hex (SIMS) 1/4-20 Thd.	26	43086	2	Lock Washer, 5/16"
13	44950	1	Bolt, Carriage 1/4-20 x 3/4" Lg.	27	24647	1	Bar, Transport Handle
14	43001	1	Bolt, Hex 3/8-16 x 1" Lg.	28	47707	1	Grip, Handle
				29	43079	2	Bolt, Carriage 5/16-18 x 1"

PARTS FOR 175 LB. POLY "PRO" SPIKER/SPREADER MODEL 45-0301



PARTS FOR 175 LB. POLY "PRO" SPIKER/SPREADER MODEL 45-0301

REF. NO.	PART NO.	QTY	DESCRIPTION	REF. NO.	PART NO.	QTY	DESCRIPTION
1	47451	1	Hopper	24	1509-69	4	Bolt, Hex 1/4-20 x 1-3/4" Lg.
2	24536	1	Hopper Center Plate (Small)	25	43601	2	Washer, 1" ID x .06" Thick
3	24535	1	Hopper Center Plate (Large)	26	63958	1	Lift Tube Assembly
4	43088	15	Washer, 1/4"	27	741-0249	18	Bearing, Flanged 0.63" I.D.
5	43866	20	Bolt, Hex 1/4-20 x 5/8"	28	47684	1	Chain
6	46978	26	Nut, Hex (SIMS) 1/4-20 Thd.	29	738-0234	2	Bolt, Shoulder 3/8-16 x 5/8"
7	47615	2	Bearing, Flange	30	43082	2	Nut, Hex Lock 3/8-16
8	47484	1	Bearing, Hex Flange	31	24648	2	Brace, Center
9	24538	1	Bracket, Feed Plate (RH)	32	47777	2	Spring, Compression
10	24539	1	Bracket, Feed Plate (LH)	33	47683	6	Spacer, .75" x 1.0" x 2.98"
11	63949	1	Axle w/Sprocket, 5/8"	34	R19212016	12	Washer, 21/32 x 1-1/4 x 16 ga.
12	728-3001	10	Pop Rivet	35	47782	1	Spacer, 1.0" I.D. x 3.25"
13	47459	1	Skirt, 48"	36	63956	2	Drive Disk Assembly
14	47508	1	Retainer, Skirt	37	24332	10	Spike Disk (7")
15	24537	2	Flow Plate	38	45100	2	Bolt, Hex 1/2-13 x 4"
16	43009	12	Washer	39	712-0206	2	Nut, Hex 1/2-13
17	47259	4	Agitator Blade	40	R19171616	4	Washer, 17/32" x 1" x 16 ga.
18	47476	16	Screw, #8-32 x 3/8" Lg.	41	43353	2	Lock Washer, 1/2"
19	63948	1	Axle w/sprocket. 3/4"	42	43019	2	Nut, Hex Jam 1/2-13
20	46838	2	Spacer, .76" x 1.0" x 0.50"	43	44688	2	Cap, Plastic
21	47458	2	Spacer, 1.25" OD x .330" Lg.	44	47679	1	Chain Cover
22	63955	1	Hopper Frame Assembly	45	43093	4	Cotter Pin, 1/8" x 1-1/2"
23	46254	2	Wheel		47685	1	Owners Manual