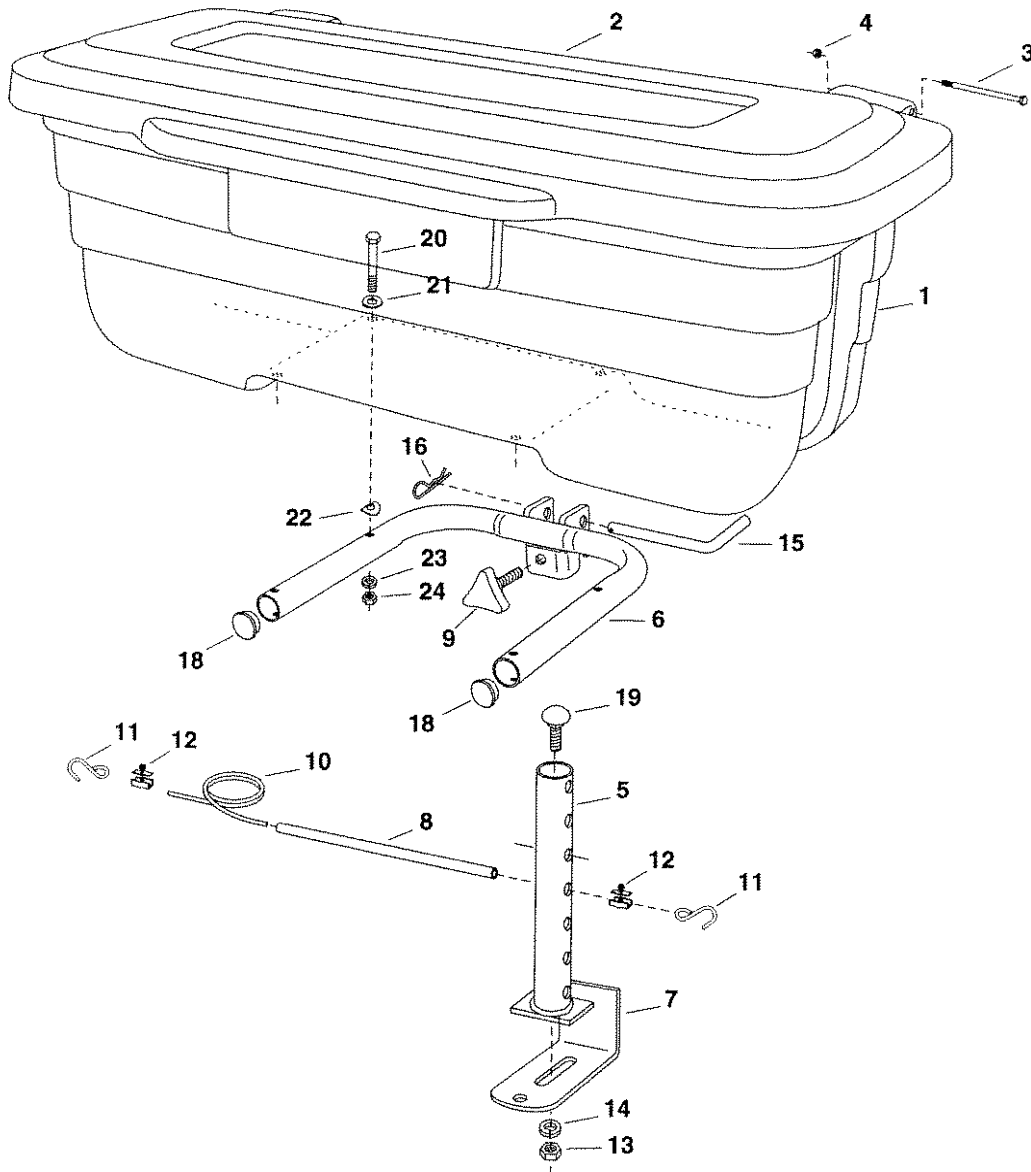


REPAIR PARTS FOR POLY TOOL CARRIER MODEL 45-0300



REF. NO.	PART NO.	QTY.	DESCRIPTION	REF. NO.	PART NO.	QTY.	DESCRIPTION
1	47492	1	Tool Box	13	712-0206	1	Hex Nut, 1/2-13 Thread
2	47666	1	Tool Box Lid	14	43353	1	Lock Washer, 1/2"
3	47525	2	Hex Bolt, 1/4-20 x 4-1/2" Lg.	15	46065	1	Pin, Locking (Channel Pivot Pin)
4	43013	2	Hex Lock Nut, 1/4-20 Thd.	16	43343	1	Pin, Hair Cotter #4 (1/8")
5	63944	1	Hitch Tube Assembly	17	726-0178	1	Nylon Tie (not shown)
6	63943	1	Attachment Tube Assembly	18	47674	2	Plug
7	24637	1	Bracket, Draw Bar	19	47660	1	Carriage Bolt, 1/2-13 x 1-1/2"
8	24642	1	Tube, Cable	20	46699	4	Hex Bolt, 1/4-20 x 2"
9	47667	1	Knob	21	43088	4	Washer, 1/4"
10	47661	1	Wire Cable	22	44695	4	Washer, Bowed
11	47662	2	"S" Hook	23	43177	4	Lock Washer, 1/4"
12	47663	2	Clamp, Cable	24	43178	4	Hex Nut, 1/4-20 Thread
					47659	1	Owners Manual