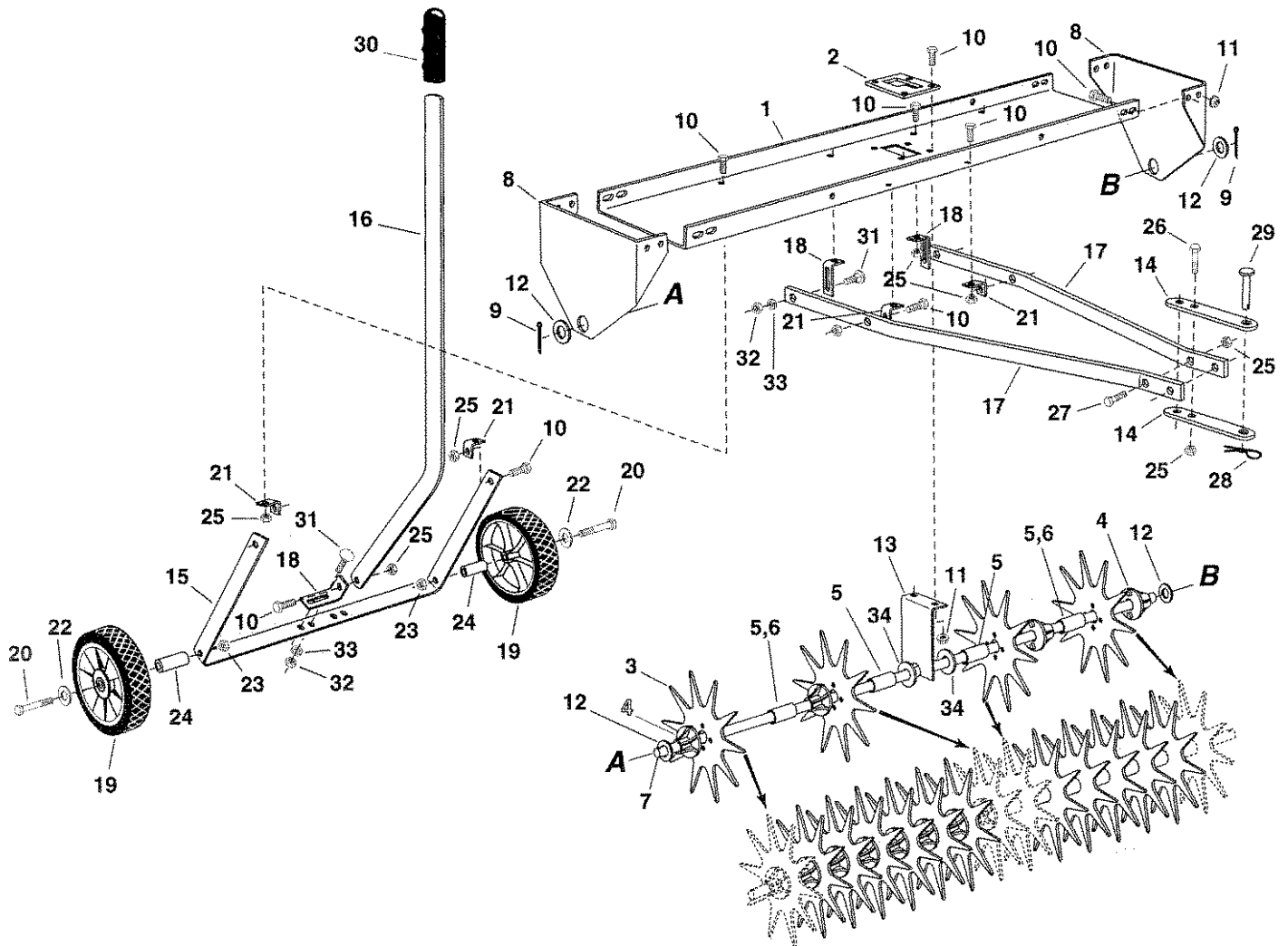


REPAIR PARTS FOR SPIKE AERATOR MODELS 45-0296 (40") & 45-0297 (48")



REF. NO.	PART NO.	QTY.		DESCRIPTION	REF. NO.	PART NO.	QTY.		DESCRIPTION
		40"	48"				40"	48"	
1	24597	1	-	Tray, 40" Spike Disk Mount	17	23914	2	2	Arm, Hitch Mount
	24628	-	1	Tray, 48" Spike Disk Mount	18	23442	3	3	Bracket, Hitch Arm Mount
2	24594	1	1	Plate, Lift	19	44238	2	2	Wheel
3	23900	15	19	Disk, Spike	20	43432	2	2	Bolt, Hex 3/8-16 x 2-1/2"
4	45148	15	19	Hub, Spike Disk	21	23826	4	4	Bracket, Angle
5	44494	15	17	Spacer, 1.33" Long	22	43070	2	2	Washer, Flat 3/8"
6	44500	-	2	Spacer, 1" Long (each end)	23	43082	2	2	Nut, Hex Lock 3/8-16
7	24598	1	-	Axle (40")	24	23906	2	2	Spacer, 1.56" Long
	24629	-	1	Axle (48")	25	43064	15	15	Nut, Hex Lock 5/16-18
8	24599	2	2	End Plate	26	44180	2	2	Bolt, Hex 5/16-18 x 2"
9	43501	2	2	Cotter Pin, 5/32" x 1-1/2"	27	43840	2	2	Bolt, Hex 5/16-18 x 1-1/4"
10	43182	23	23	Bolt, Hex 5/16-18 x 3/4"	28	43343	1	1	Pin, Hair Cotter
11	46584	12	12	Nut, Whiz Lock 5/16-18	29	47623	1	1	Pin, Hitch 3/8" (Flat Head)
12	43009	8	8	Washer, Flat	30	43943	1	1	Grip
13	24600	1	1	Bracket, Axle Reinforcement	31	43080	4	4	Bolt, Carriage 5/16-18 x 3/4"
14	23981	2	2	Bracket, Hitch	32	43083	4	4	Nut, Hex 5/16-18
15	24595	1	1	Bracket, Axle	33	43086	4	4	Lock Washer, 5/16"
16	24596	1	1	Lift Handle	34	1540-162	2	2	Washer, Flat 13/16" x 2" x 10 Ga.
						47636	1	1	Owners Manual