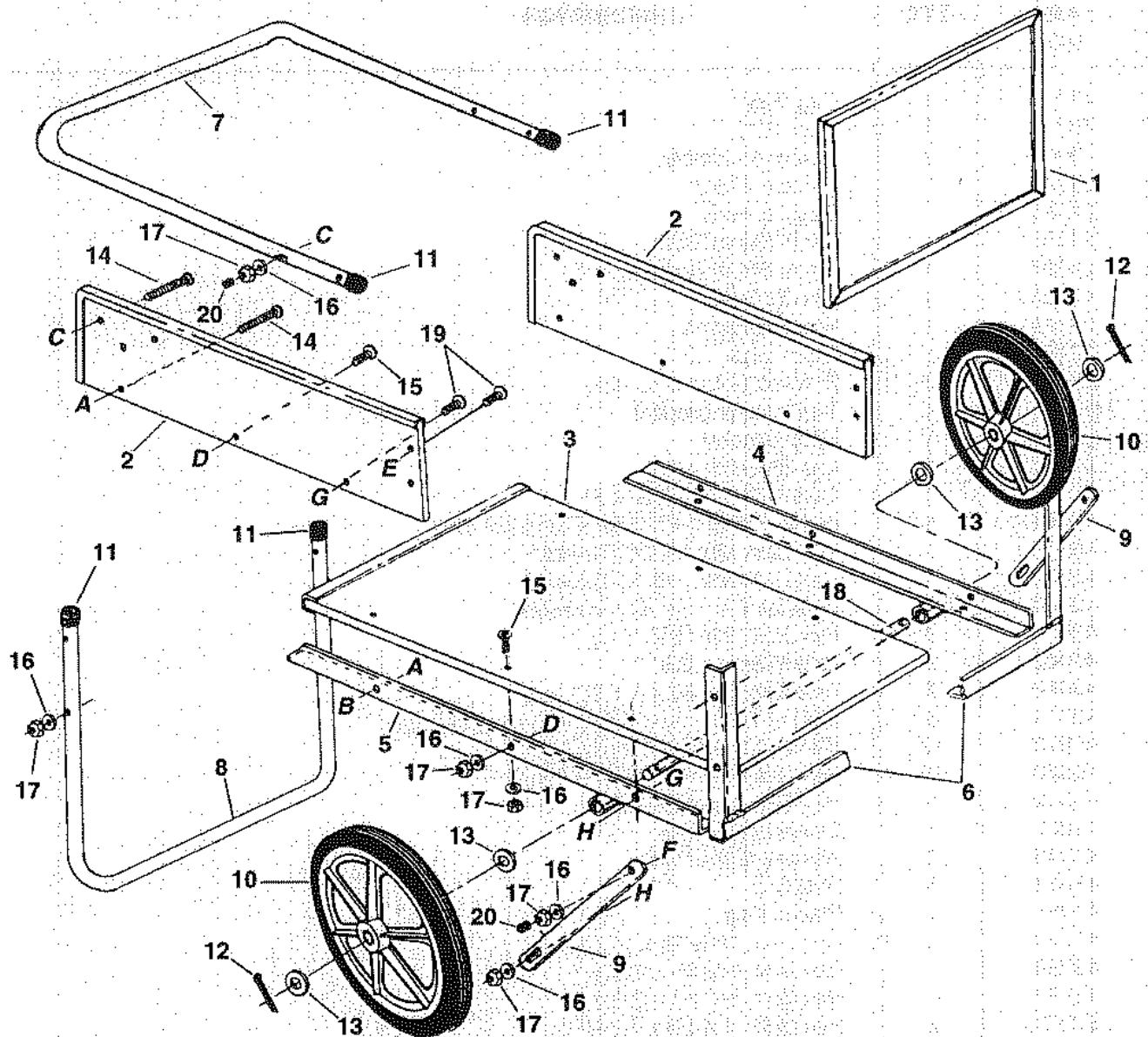


FARM/YARD CART MODEL NO. 45-0275 5 CU. FT.



REF. NO.	PART NO.	QTY.	DESCRIPTION	REF. NO.	PART NO.	QTY.	DESCRIPTION
1	47096	1	Front Panel	12	43010	2	Cotter Pin, 1/8" x 1-1/4" Lg.*
2	47097	2	Side Panel	13	R19171616	8	Flat Washers, Large 17/32" I.D. x 1" O.D. x 3/32" Thick
3	47098	1	Bottom Panel	14	44022	8	Truss Head Screws, 1/4-20 x 1-3/4" Lg.*
4	63681	1	Side Angle Assembly - L.H.	15	44023	12	Truss Head Screws, 1/4-20 x 3/4" Lg.*
5	63682	1	Side Angle Assembly - R.H.	16	43088	24	Flat Washer, 1/4"
6	63683	1	Front Angle	17	43178	24	Hex Nut, 1/4-20 Thd.*
7	47099	1	Handle Tube	18	24433	1	Axle
8	47100	1	Leg Tube	19	44259	4	Truss Head Screws, 1/4-20 x 1" Lg.*
9	24432	2	Support Strap	20	44538	6	Rubber Cap, 1/4" x 3/8" Lg.
10	46575	2	Wheel Assembly (14")	47072		1	Owner's Manual
11	44021	4	Tube Caps				