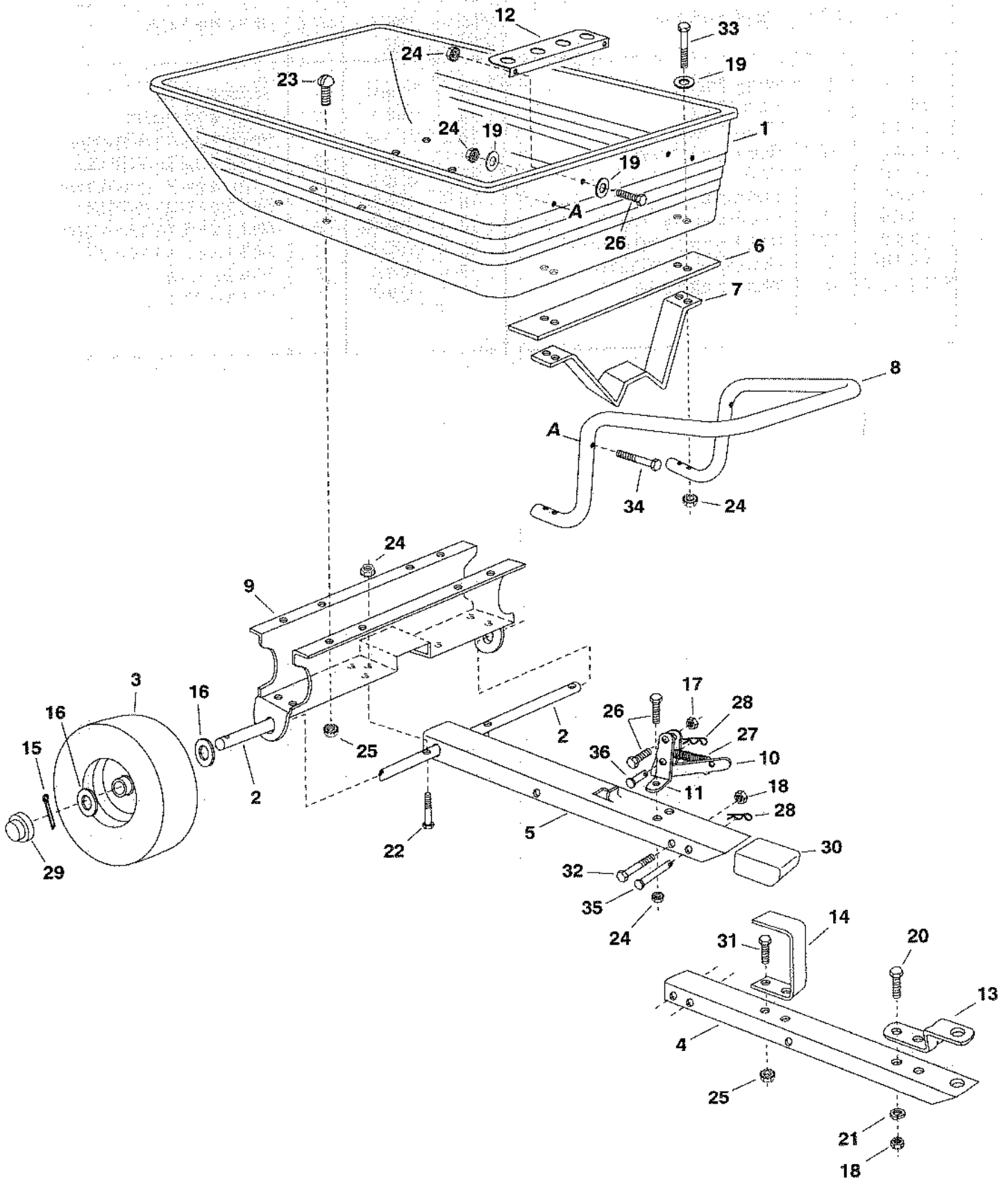


CONVERTIBLE POLY CART MODEL 45-0274



REPAIR PARTS LIST FOR CONVERTIBLE POLY CART MODEL 45-0274

REF. NO.	PART NO.	QTY.	DESCRIPTION
1	47019	1	Poly Tray
2	23026	1	Axle, 3/4"
3	43008	2	Wheel Assembly
4	24392	1	Tongue, Front
5	24391	1	Tongue, Rear
6	24386	1	Latch Stand Plate
7	23297	1	Latch Stand Bracket
8	47028	1	Handle Tube
9	24387	1	Wheel Support
10	62020	1	Latch Lock
11	23470	2	Bracket, Latch Mounting
12	23918	1	Tool Holder Bracket
13	23014	1	Hitch Bracket
14	24390	1	Leg Stand Bracket
15	43010	2	Cotter Pin, 1/8" Dia. x 1"
16	43009	4	Washer, Flat 3/4" 1.59" OD x .78" ID
17	43013	1	Hex Lock Nut 1/4-20 Thread *
18	43082	3	Hex Lock Nut, 3/8-16 Thread *
19	43088	8	Washer, Flat 1/4" Std. Wrought
20	43001	2	Hex Bolt, 3/8-16 x 1" Lg. *
21	43003	2	Lock Washer, 3/8" *
22	43648	2	Hex Bolt, 1/4-20 x 1-1/2" Lg. *
23	43814	8	Slotted Truss Head Bolt, 5/16-18 x 3/4" Lg.*
24	46978	12	Hex Nut, 1/4-20 (SEMS) Type
25	46980	10	Hex Nut, 5/16-18 (SEMS) Type
26	43012	5	Hex Bolt, 1/4-20 x 3/4" *
27	43000	1	Extension Spring
28	43343	2	Hairpin, Cotter 1/8"
29	43014	2	Hub Cap
30	47038	1	Plastic Cap
31	43063	2	Hex Bolt, 5/16-18 x 1" Lg. *
32	43036	1	Hex Bolt, 3/8-16 x 4" Lg. *
33	46699	4	Hex Bolt, 1/4-20 x 2" Lg. *
34	1509-69	2	Hex Bolt, 1/4-20 x 1-3/4" Lg. *
35	47029	1	Clevis Pin, 3/8" x 4"
36	45091	1	Clevis Pin 3/8" x 1"
	47030	1	Owner's Manual