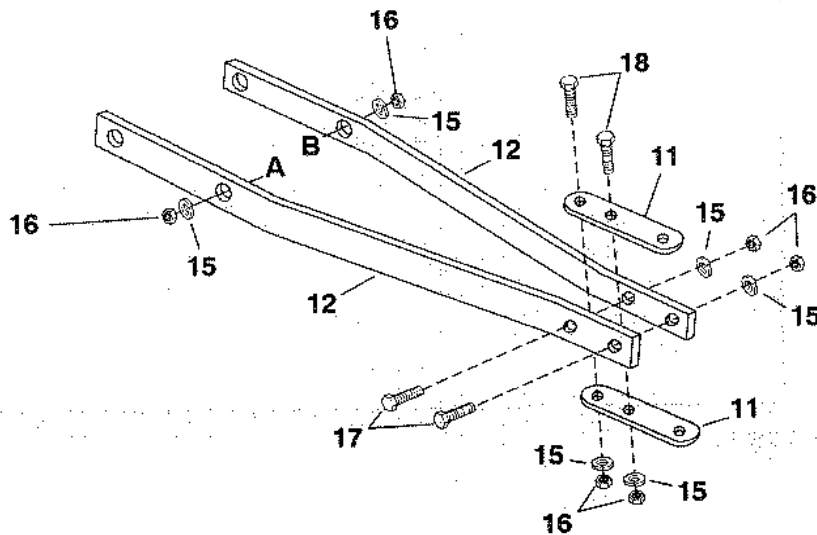
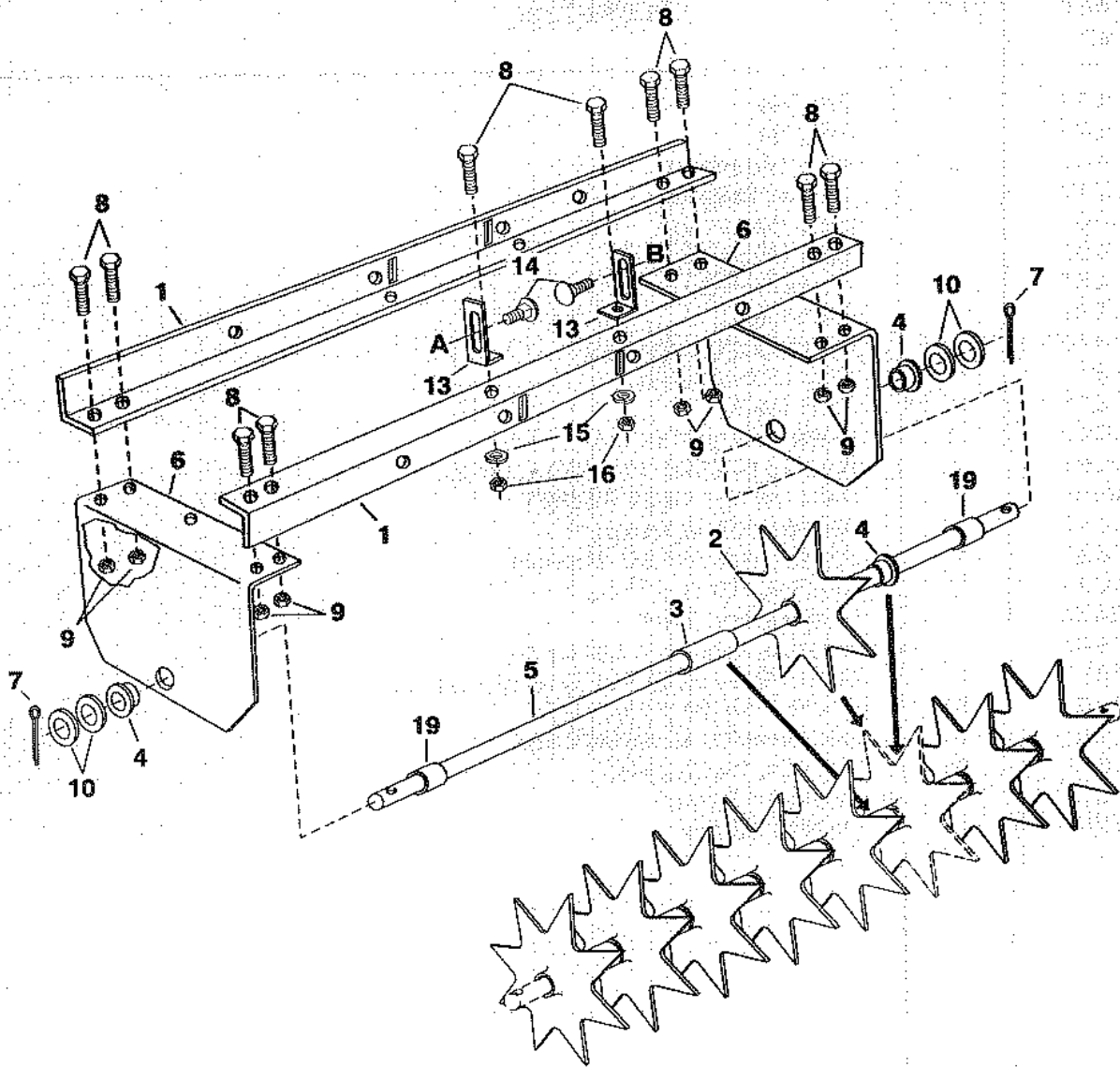


32" SPIKE AERATOR MODEL NO. 45-0273



REPAIR PARTS LIST FOR 32" SPIKE AERATOR MODEL NO. 45-0273

REF. NO.	PART NO.	QTY.	DESCRIPTION	REF. NO.	PART NO.	QTY.	DESCRIPTION
1	24367	2	Angle Frame	11	23981	2	Bracket, Hitch
2	24332	8	Disc, Spike	12	23914	2	Arm, Hitch Mount
3	45151	7	Spacer, Tube	13	23442	2	Bracket, Hitch Arm Mount
4	741-0249	10	Bearing, Flanged	14	44326	2	Bolt, Carriage 5/16-18 x 1"
5	24368	1	Axle	15	43086	8	Lock Washer, 5/16 Spring Type
6	24369	2	End Plate	16	43083	8	Nut, Hex 5/16-18 Plain
7	43010	2	Pin, Cotter 1/8" x 1"	17	43840	2	Bolt, Hex 5/16-18 x 1-1/4"
8	43182	10	Bolt, Hex 5/16-18 x 3/4 PLTD	18	44180	2	Bolt, Hex 5/16-18 x 2"
9	43064	8	Nut, Hex Lock 5/16-18	19	46497	2	Spacer, Tube
10	R19212113	4	Washer, 5/8" SAE		46987	1	Owner's Manual