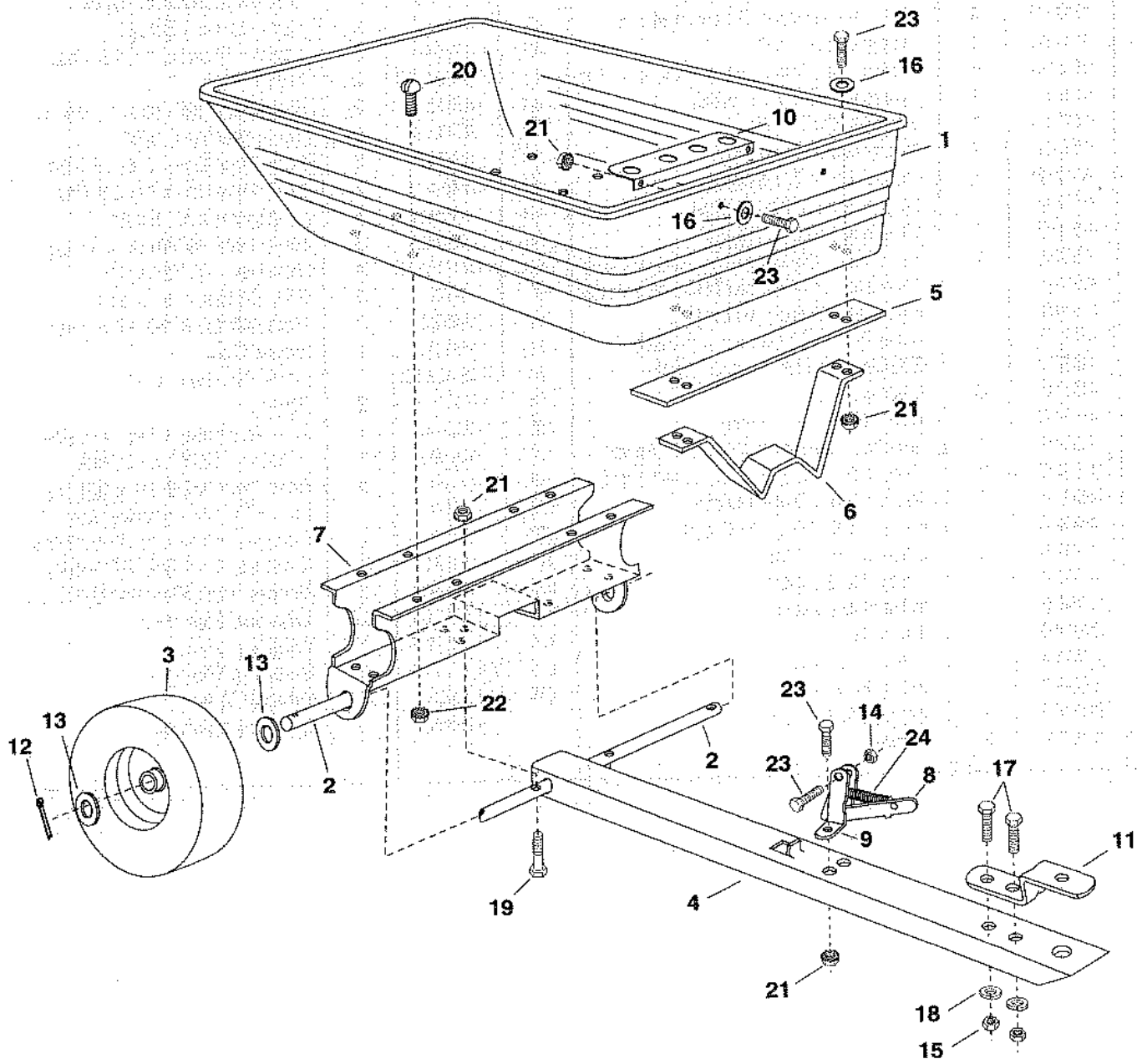


# POLY CART MODEL 45-0272



## REPAIR PARTS LIST FOR POLY CART MODEL 45-0272

REF. NO.	PART NO.	QTY.	DESCRIPTION
1	47019	1	Poly Tray
2	23026	1	Axle, 3/4"
3	44456	2	Wheel Assembly
4	23913	1	Tongue, Draw Bar
5	24386	1	Latch Stand Plate
6	23297	1	Latch Stand Bracket
7	24387	1	Wheel Support
8	62020	1	Latch Lock
9	23470	2	Bracket, Latch Mounting
10	23918	1	Tool Holder Bracket
11	23014	1	Hitch Bracket
12	43010	2	Cotter Pin, 1/8" Dia. x 1"
13	43009	4	Washer, Flat 3/4" 1.59" OD x .78" ID
14	43013	1	Hex Lock Nut 1/4-20 Thread *
15	43015	2	Hex Nut, 3/8-16 Thread *
16	43088	6	Washer, Flat 1/4" Std. Wrought
17	43001	2	Hex Bolt, 3/8-16 x 1" Lg. *
18	43003	2	Lock Washer, 3/8" *
19	43648	2	Hex Bolt, 1/4-20 x 1-1/2" Lg. *
20	43814	8	Slotted Truss Head Bolt, 5/16-18 x 3/4" Lg.
21	46978	10	Hex Nut, 1/4-20 (SEMS) Type
22	46980	8	Hex Nut, 5/16-18 (SEMS) Type
23	43012	9	Hex Bolt, 1/4-20 x 3/4" *
24	43000	1	Extension Spring
	47016	1	Owner's Manual

\* Purchase Common Hardware Locally