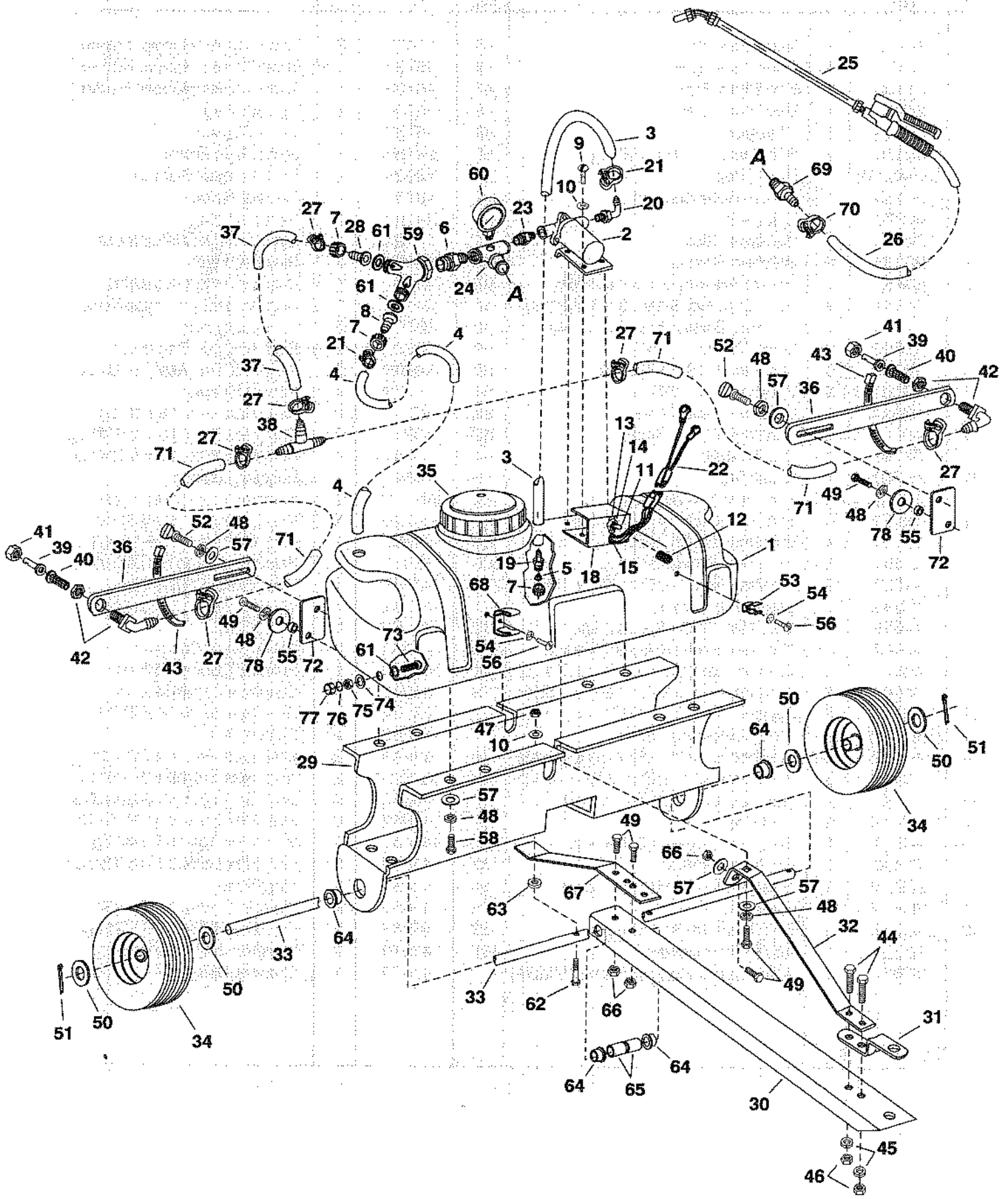


REPAIR PARTS FOR 15 GALLON SPRAYER MODEL 45-02711



REPAIR PARTS FOR 15 GALLON SPRAYER MODEL 45-02711

REF. NO.	PART NO.	QTY.	DESCRIPTION	REF. NO.	PART NO.	QTY.	DESCRIPTION
1	46478	1	Tank (15 Gal.)	40	45029	2	Strainer, Screen Type
2	45015	1	Pump and Motor	41	45037	2	Nut, Screen Body
3	46278	1	Hose, 1/2" ID (24" Lg.)	42	47396	2	Elbow, Plastic 11/16 Thd.
4	45021	1	Hose, 1/2" ID (20" Lg.)	43	726-0178	2	Nylon Tie
5	45024	1	Strainer, Cap Type 1"	44	43087	2	Bolt, Hex 3/8-16 x 1-1/4 Gr. 5
6	45031	1	Adapter, 1/2" NPT x Hose	45	43003	2	Lock Washer, 3/8"
7	45032	3	Nut, Swivel 3/4" Garden Hose	46	43082	2	Nut, Hex Lock 3/8-16 Thd.
8	45033	1	Hose Barb, 1/2"	47	1534-8	2	Nut, Hex Lock 10-32 Thd.
9	45069	4	Screw, Ph. Pan Hd. 10-24 x 1" Lg.	48	43086	10	Lock Washer, 5/16"
10	43910	6	Washer, Flat #10 SAE	49	43182	6	Bolt, Hex 5/16-18 x 3/4" Lg.
11	45084	1	Switch, On - Off	50	R19171616	4	Washer, 17/32" x 1"
12	45082	1	Boot, Rubber Switch	51	142	2	Pin, Cotter 1/8" x 3/4"
13	45080	1	Plate, On - Off Switch	52	46528	2	Bolt, Wing 5/16-18 x 3/4" Lg.
14	45048	1	Nut, Hex 15/32-32 Thd.	53	45180	1	Hose Clip
15	45087	1	Bushing, Strain Relief	54	736-0722	2	Lock Washer, #10
16	45085	1	Terminal, .25 Male Tab (not shown)	55	23625	2	Pivot Bushing
17	45086	1	Terminal, .25 Female Tab (not shown)	56	45040	2	Screw, Phillips Hd. #10-24 x 1/2"
18	23889	1	Bracket, Switch Mounting	57	43081	9	Washer, 5/16" Std. Wrt.
19	46276	1	Adapter, 3/4" GH x 1/2" Barb	58	47092	5	Bolt, Hex 5/16-18 x 5/8" Lg.
20	46277	1	Elbow, 3/8 NPT x 1/2" Barb	59	45017	1	Hose "Y" W / Valves 3/4"
21	45025	2	Clamp, 1/2"	60	45071	1	Gauge, Pressure 2" 100 PSI
22	45018	1	Connector with Wire	61	45072	3	Gasket, 3/4" Garden Hose
23	45049	1	Nipple, (Nylon) 1/2" x 3/8" Red.	62	44004	2	Screw, Pan Head #10-32 x 1" Lg.
24	45050	1	Tee, 1/2" x 1/2" x 1/2" (1/4" Port)	63	1543-69	2	Washer, Nylon
25	47406	1	Spray Gun	64	741-0248	4	Bearing, Flange
26	47393	1	Hose, 1/4" ID (12' 6" Lg)	65	46501	2	Spacer Tube
27	45026	6	Clamp, 3/8" Hose	66	43064	3	Nut, Hex Lock 5/16-18 Thd.
28	45034	1	Hose Barb, 3/8"	67	24565	1	Bracket, Stand
29	23506	1	Wheel Support	68	47397	1	Hose Clip (Large)
30	24040	1	Tongue	69	47390	1	Adapter, 1/2" NPT x 1/4" Barb
31	23014	1	Hitch Bracket	70	47405	1	Clamp, 1/4" Hose
32	24530	1	Hitch Brace	71	47392	2	Hose, 3/8" ID (20" Lg.)
33	24376	1	Wheel Axle, 1/2"	72	24563	2	Plate, Reinforcement
34	47051	2	Wheel	73	47399	1	Drain Body
35	46700	1	Lid	74	47398	1	Washer, Nylon
36	24122	2	Boom Bar	75	47402	1	Nut, Nylon 11/16" Thd.
37	47391	1	Hose, 3/8" ID (14" Lg)	76	47400	1	O-Ring, 5/8" OD
38	47394	1	Tee, Plastic 3/8" Hose	77	47403	1	Cap, Nylon 11/16" Thd.
39	45028	2	Nozzle, SS Floodjet	78	141	2	Washer, 1-1/2" x .375" x .062"
					47404	1	Owners Manual