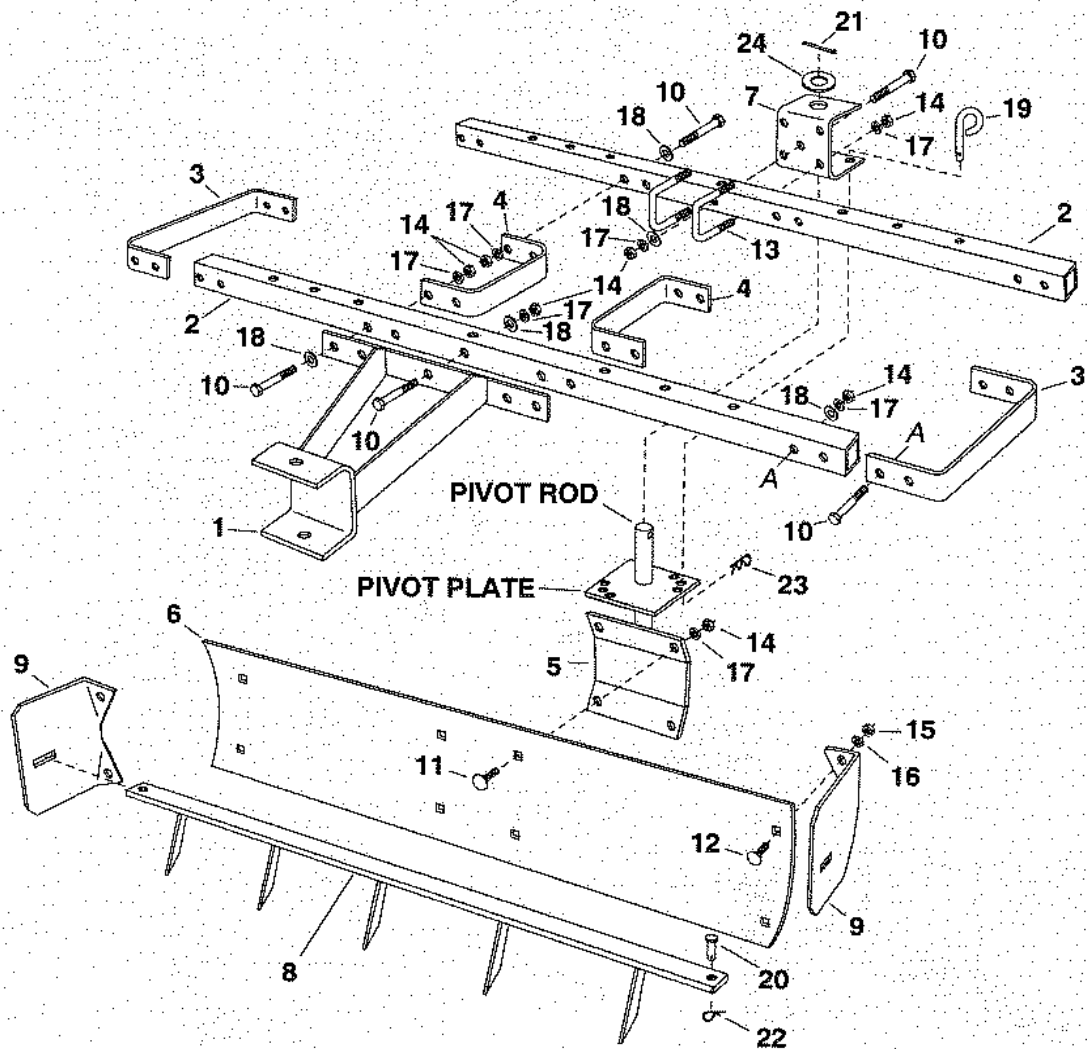


BOX SCRAPER/GRADER BLADE MODEL 45-0265 (NEW HITCH)



REF. NO.	PART NO.	QTY.	DESCRIPTION	REF. NO.	PART NO.	QTY.	DESCRIPTION
1	63656	1	Hitch Assembly	13	46853	2	U-Bolt, 3/8-16
2	46848	2	Frame Tube	14	43015	26	Hex Nut, 3/8-16 Thread
3	24223	2	Frame Brace (End)	15	43083	4	Hex Nut, 5/16-18 Thread
4	24224	2	Frame Brace (Middle)	16	43086	4	Lock Washer, 5/16"
5	63506	1	Pivot Reinforcement Bracket Assembly	17	43003	26	Lock Washer, 3/8"
6	24233	1	Blade	18	43070	18	Washer, 3/8" Std. Wrt.
7	24231	1	Clevis Bracket	19	43038	1	Pivot Lock Pin
8	63507	1	Scarifier Assembly	20	44044	2	Clevis Pin, 3/8" x 3/4" Lg.
9	24237	2	Box End Plate	21	46855	1	Cotter Pin, 3/16" x 2" Lg.
10	43432	18	Hex Bolt, 3/8-16 x 2-1/2" Lg.	22	43055	2	Hairpin Cotter, 3/32" #3
11	43350	4	Carriage Bolt, 3/8-16 x 1" Lg.	23	43343	1	Hairpin Cotter, 1/8" #4
12	44326	4	Carriage Bolt, 5/16-18 x 1" Lg.	24	23336	1	Washer, Special
					47056	1	Owners Manual