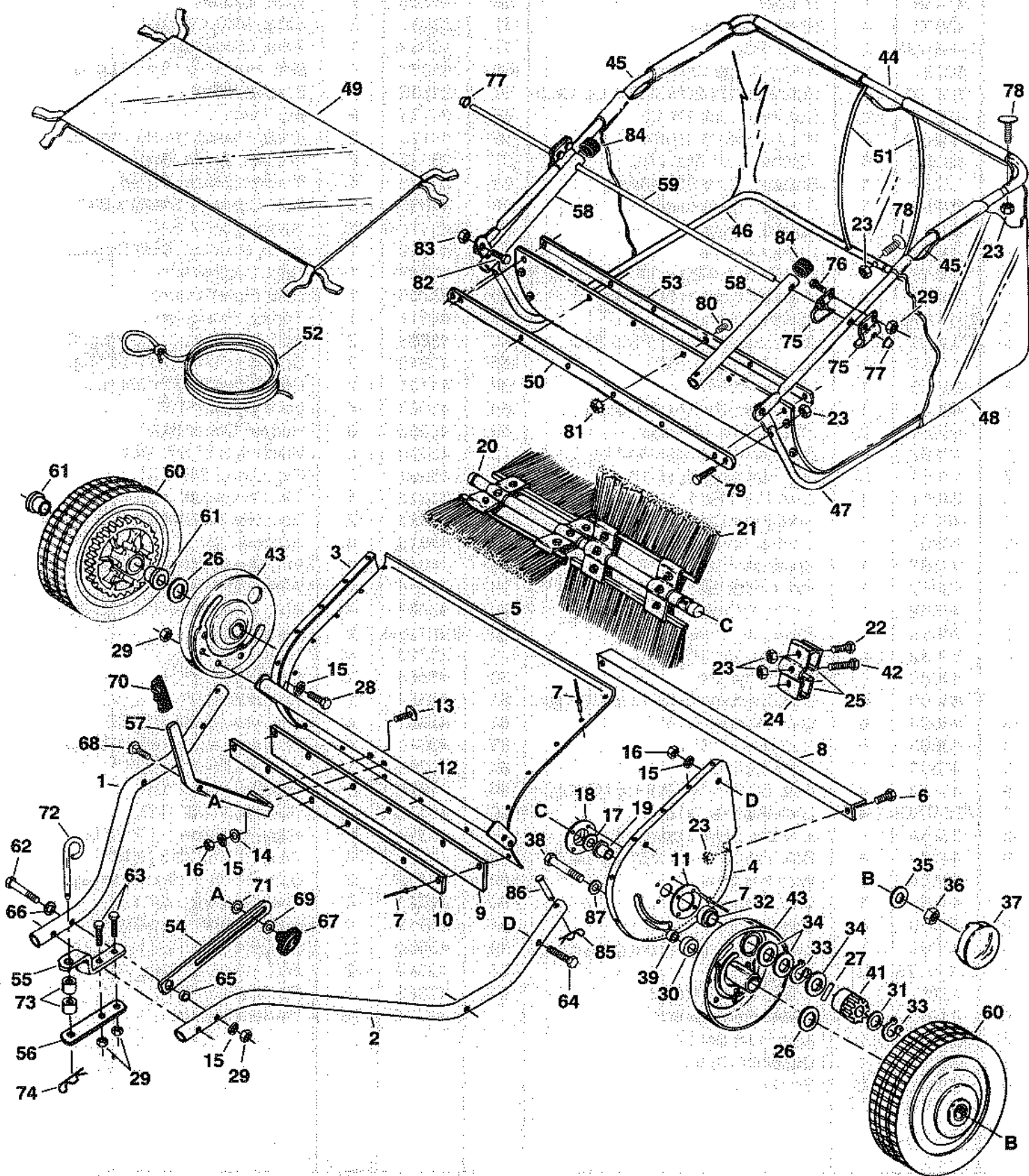


REPAIR PARTS FOR MODEL 45-02601 - 42" LAWSWEEPER



REPAIR PARTS FOR MODEL 45-02601 - 42" LAWSWEEPER

Ref. No.	Part No.	Qty.	Description	Ref. No.	Part No.	Qty.	Description
1	46776	1	Hitch Tube, R.H.	45	47478	2	Tube, Upper Hopper Frame (Side)
2	46777	1	Hitch Tube, L.H.	46	46732	1	Tube, Lower Hopper Frame R.H.
3	24182	1	End Plate, R.H.	47	46733	1	Tube, Lower Hopper Frame L.H.
4	24183	1	End Plate, L.H.	48	46736	1	Hopper Bag
5	24184	1	Wrapper	49	46737	1	Wind Screen
6	43175	2	Bolt, Hex 1/4-20 x 1/2" Lg.	50	24189	1	Strap, Bag Frame
7	C-9M5732	26	Rivet, Pop	51	43926	2	Rod, Hopper Support
8	24185	1	Brace, Rear Support	52	43737	1	Hopper Rope
9	46778	1	Skirt, 42"	53	24190	1	Retainer, Bag
10	24186	1	Retainer, Skirt	54	24191	1	Strap, Height Adjustment
11	23336	2	Washer, Special	55	23687	1	Bracket, Hitch
12	63463	1	Height Adjustment Tube Ass'y.	56	24192	1	Bracket, Hitch (Straight)
13	44947	2	Bolt, Cvd. Hd. 5/16-18 x 1-5/8" Lg.	57	24193	1	Handle, Height Adjustment
14	44695	2	Washer, Bowed 1" x .32" x .06"	58	46781	2	Tube, Bag Arm
15	43086	12	Lock Washer, 5/16"	59	46823	1	Rod, Hopper Bag Pivot
16	43083	6	Nut, Hex 5/16-18 Thread	60	44985	2	Wheel & Tire Ass'y. (with bearings)
17	R19212113	2	Washer, 5/8" SAE	61	45088	4	Wheel Bearing
18	1629-56	2	Retainer, Dust Cover	62	46782	2	Bolt, Hex 5/16-18 x 3" Lg.
19	44910	2	Bushing, Brush Shaft	63	43224	2	Bolt, Hex 5/16-18 x 2-1/4" Lg.
20	24188	1	Brush Shaft	64	43084	4	Bolt, Hex 5/16-18 x 1-3/4" Lg.
21	46780	4	Brush, 42"	65	46847	1	Bushing, Spacer
22	43012	8	Bolt, Hex 1/4-20 x 3/4" Lg.	66	R19111116	2	Washer, Flat (5/16) 11/32" x 11/16"
23	43013	19	Nut, Hex Lock 1/4-20 Thread	67	43720	1	Knob, Wing 5/16-18 Thread
24	23580	4	Retainer, Brush (Double)	68	43080	1	Bolt, Carriage 5/16-18 x 3/4" Lg.
25	23581	8	Retainer, Brush (Single)	69	43081	1	Washer, Flat 5/16" Std. Wrt.
26	44008	2	Washer, Flat 1-1/8" x .78" x .025"	70	43943	1	Grip, Height Adjust
27	47046	2	Dowel Pin (Drive)	71	44732	1	Washer, Tooth Lock 5/16"
28	44692	4	Bolt, Hex 5/16-18 x 1/2" Lg.	72	23353	1	Pin, Hitch
29	43064	12	Nut, Hex Lock 5/16-18 Thread	73	23368	2	Tube, Hitch Spacer
30	44911	2	Spacer, .39 I.D. x 1-1/4" O.D. x .5"	74	43343	1	Hairpin Cotter, 1/8" #4
31	44006	2	Washer, Flat .849" x .598" x .025"	75	23331	4	Clamp, Hopper Mount
32	46219	2	Spacer, .78 I.D. x 1-1/4" O.D. x .5"	76	43182	4	Bolt, Hex 5/16-18 x 3/4" Lg.
33	1650-21	4	Ring, Retaining .594"	77	44917	2	Palnut, 3/8"
34	44007	6	Washer, Shim 1-1/8" x .594" x .025"	78	43978	3	Bolt, Cvd. Hd. 1/4-20 x 1" Lg.
35	141	2	Washer, Flat 1-1/2" x .375" x .062"	79	1509-90	2	Bolt, Hex 1/4-20 x 1-1/4" Lg.
36	1038	2	Nut, Hex Lock 3/8-24 Thread	80	43346	6	Bolt, Sl. Tr. Hd. #10-32 x 5/8" Lg.
37	2674-32	2	Hub Cap	81	43662	6	Nut, Hex Lock #10-32 SEMS
38	44961	2	Bolt, Hex 3/8-24 x 3-1/4" Lg.	82	43407	2	Bolt, Hex 3/8-16 x 3/4" Lg.
39	23400	2	Bushing, Spacer	83	43082	2	Nut, Hex Lock 3/8-16 Thread
40	2692-6	1	Gear, Pinion R.H. (not shown)	84	44481	2	Cap, Vinyl
41	2692-7	1	Gear, Pinion L.H.	85	43055	2	Hairpin Cotter, 3/32" #3
42	43661	4	Bolt, Hex 1/4-20 x 1" Lg.	86	46867	2	Pin, Clevis 1/4" x 1-1/2" Lg.
43	63027	2	Ass'y, Dust Cover	87	43070	2	Washer, 3/8" Std. Wrt.
44	47477	1	Tube, Upper Hopper Frame (Middle)		47479	1	Owners Manual