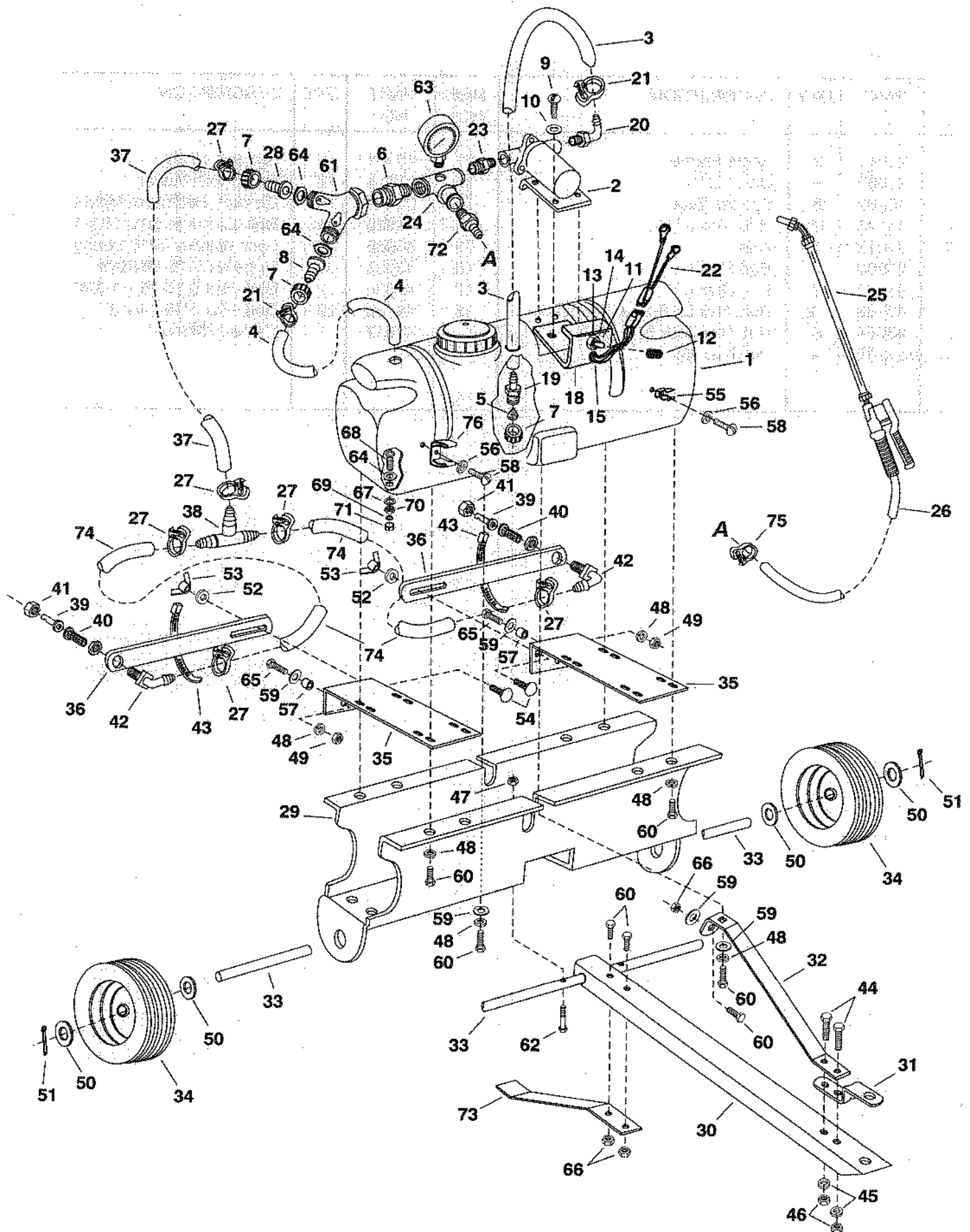


REPAIR PARTS FOR 25 GALLON SPRAYER MODEL 45-02371



REPAIR PARTS FOR 25 GALLON SPRAYER MODEL 45-02371

REF. NO.	PART NO.	QTY.	DESCRIPTION	REF. NO.	PART NO.	QTY.	DESCRIPTION
1	46283	1	Tank (25 Gal.)	40	45029	2	Strainer, Screen Type
2	45015	1	Pump and Motor	41	45037	2	Nut, Screen Body
3	46278	1	Hose, 1/2" ID (24" Lg.)	42	47396	2	Elbow, Plastic w/Nut 11/16 Thd.
4	45021	1	Hose, 1/2" ID (20" Lg)	43	726-0178	2	Nylon Tie
5	45024	1	Strainer, Cap Type 1"	44	43087	2	Bolt, Hex 3/8-16 x 1-1/4 Gr. 5
6	45031	1	Adapter, 1/2" NPT x Hose	45	43003	2	Lock Washer, 3/8"
7	45032	2	Nut, Swivel 3/4" Garden Hose	46	43082	2	Nut, Hex Lock 3/8-16 Thd.
8	45033	1	Hose Barb, 1/2"	47	43013	2	Nut, Hex Lock 1/4-20 Thd.
9	45069	4	Screw, Ph. Pan Hd. 10-24 x 1" Lg.	48	43086	8	Lock Washer, 5/16"
10	43910	4	Washer, Flat #10 SAE	49	43083	2	Nut, Hex 5/16-18 Thd.
11	45084	1	Switch, On - Off	50	43009	4	Washer, 1.59 x 25/32 x .06
12	45082	1	Boot, Rubber Switch	51	43093	2	Pin, Cotter 1/8" x 1-1/2"
13	45080	1	Plate, On - Off Switch	52	43088	2	Washer, 1/4" Std. Wrt.
14	45048	1	Nut, Hex 15/32-32 Thd.	53	43193	2	Wing Nut, Lock 1/4-20
15	45087	1	Bushing, Strain Relief	54	44950	2	Bolt, Carriage 1/4-20 x 3/4"
16	45085	1	Terminal, .25 Male Tab (not shown)	55	45180	1	Hose Clip (Small)
17	45086	1	Terminal, .25 Female Tab (not shown)	56	736-0722	2	Lock Washer, 3/16 #10
18	23889	1	Bracket, Switch Mounting	57	23625	2	Bushing, Pivot
19	46276	1	Adapter, 3/4" GH x 1/2" Barb	58	45040	2	Screw, Slot Hd. 10-24 x 1/2"
20	46277	1	Elbow, 3/8 NPT x 1/2" Barb	59	43081	5	Washer, 5/16" Std. Wrt.
21	45025	2	Clamp, 1/2"	60	43182	9	Bolt, Hex 5/16-18 x 3/4" Lg.
22	45018	1	Connector with Wire	61	45017	1	Hose "Y" W / Valves 3/4"
23	45049	1	Nipple, (Nylon) 1/2" x 3/8" Red.	62	43648	2	Bolt, Hex 1/4-20 x 1-1/2" Lg.
24	45050	1	Tee, 1/2" x 1/2" x 1/2" (1/4" Port)	63	45071	1	Gauge, Pressure 2" 100 PSI
25	47406	1	Spray Gun	64	45072	3	Gasket, 3/4" Garden Hose
26	47393	1	Hose, 1/4" ID (12' 6" Lg)	65	43063	2	Bolt, Hex 5/16-18 x 1" Lg.
27	45026	6	Clamp, 3/8" Hose	66	43064	3	Nut, Hex Lock 5/16-18 Thread
28	45034	1	Hose Barb, 3/8"	67	47398	1	Nylon Washer
29	23506	1	Wheel Support	68	47399	1	Drain Body
30	24040	1	Tongue	69	47400	1	O-Ring, 5/8" ID
31	23014	1	Hitch Bracket	70	47402	1	Nylon Nut
32	24530	1	Hitch Brace	71	47403	1	Nylon Cap
33	23026	1	Wheel Axle, 3/4"	72	47390	1	Adapter, 1/2" NPT x 1/4" Barb
34	43008	2	Wheel	73	24566	1	Bracket, Stand
35	24039	2	Tank Mount Bracket	74	47392	2	Hose, 3/8" ID (20" Lg.)
36	24122	2	Boom Bar	75	47405	1	Hose Clamp, 1/4"
37	47391	1	Hose, 3/8" ID (14" Lg)	76	47397	1	Hose Clip (Large)
38	47394	1	Tee, Plastic 3/8" Hose		47410	1	Owners Manual
39	45028	2	Nozzle, SS Floodjet				