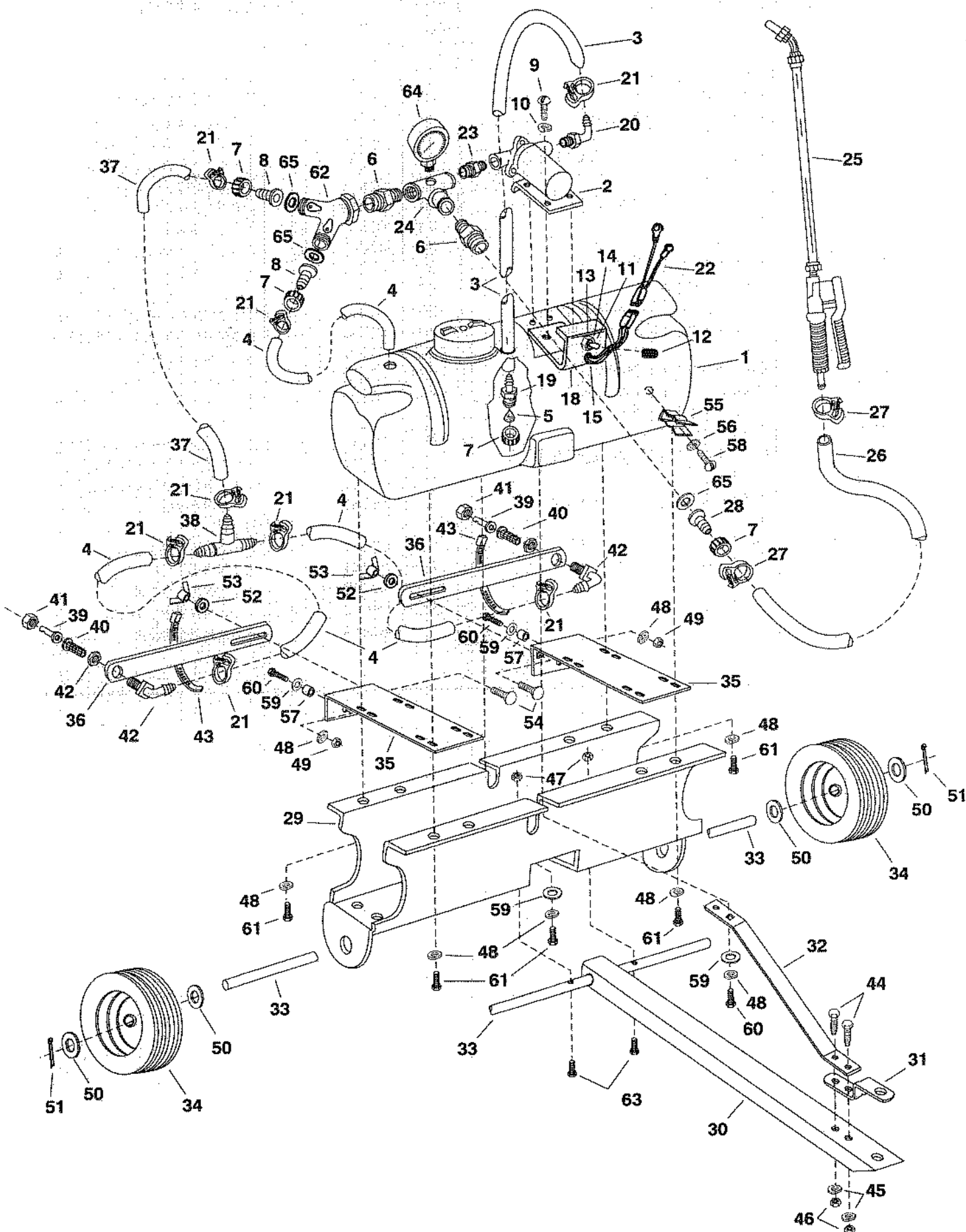


REPAIR PARTS FOR 25 GALLON SPRAYER MODEL 45-0237



REPAIR PARTS LIST FOR 25 GALLON SPRAYER MODEL 45-0237

REF. NO.	PART NO.	QTY.	DESCRIPTION	REF. NO.	PART NO.	QTY.	DESCRIPTION
1	46283	1	Tank (25 Gal.)	35	24039	2	Tank Mount Bracket
2	45015	1	Pump and Motor	36	24038	2	Boom Bar
3	46278	1	Hose, 1/2" ID (24" Lg.)	37	45022	1	Hose, 1/2" ID (14" Lg)
4	45021	3	Hose, 1/2" ID (20" Lg)	38	45027	1	Tee, Plastic 1/2" Hose
5	45024	1	Strainer, Cap Type 1"	39	45028	2	Nozzle, SS Floodjet
6	45031	2	Adapter, 1/2" NPT x Hose	40	45029	2	Strainer, Screen Type
7	45032	4	Nut, Swivel 3/4" Garden Hose	41	45037	2	Nut, Screen Body
8	45033	2	Hose Barb, 1/2"	42	45030	2	Elbow, Plastic 11/16 Thd.
9	45069	4	Screw, Ph. Pan Hd. 10-24 x 1" Lg.	43	726-0178	2	Nylon Tie
10	43910	4	Washer, Flat #10 SAE	44	43087	2	Bolt, Hex 3/8-16 x 1-1/4 Gr. 5
11	45084	1	Switch, On - Off	45	43003	2	Lock Washer, 3/8"
12	45082	1	Boot, Rubber Switch	46	43082	2	Nut, Hex Lock 3/8-16 Thd.
13	45080	1	Plate, On - Off Switch	47	43013	2	Nut, Hex Lock 1/4-20 Thd.
14	45048	1	Nut, Hex 15/32-32 Thd.	48	43086	8	Lock Washer, 5/16"
15	45087	1	Bushing, Strain Relief	49	43083	2	Nut, Hex 5/16-18 Thd.
16	45085	1	Terminal, .25 Male Tab	50	43009	4	Washer, 1.59 x 25/32 x .06
17	45086	1	Terminal, .25 Female Tab	51	43093	2	Pin, Cotter 1/8" x 1-1/2"
18	23889	1	Bracket, Switch Mounting	52	43088	2	Washer, 1/4" Std. Wrt.
19	46276	1	Adapter, 3/4" GH x 1/2" Barb	53	43193	2	Wing Nut, Lock 1/4-20
20	46277	1	Elbow, 3/8 NPT x 1/2" Barb	54	44950	2	Bolt, Carriage 1/4-20 x 3/4"
21	45025	8	Clamp, 1/2"	55	45180	1	Hose Clip
22	45018	1	Connector with Wire	56	736-0722	1	Lock Washer, 3/16 #10
23	45049	1	Nipple, (Nylon) 1/2" x 3/8" Red.	57	23625	2	Bushing, Pivot
24	45050	1	Tee, 1/2" x 1/2" x 1/2" (1/4" Port)	58	45040	1	Screw, Slot Hd. 10-24 x 1/2"
25	45016	1	Spray Gun (Italy Made)	59	43081	4	Washer, 5/16" Std. Wrt.
26	45023	1	Hose, 3/8" ID (12' 6" Lg)	60	43182	3	Bolt, Hex 5/16-18 x 3/4" Lg.
27	45026	2	Clamp, 3/8" Hose	61	44692	5	Bolt, Hex 5/16-18 x 1/2" Lg.
28	45034	1	Hose Barb, 3/8"	62	45017	1	Hose "Y" W / Valves 3/4"
29	23506	1	Wheel Support	63	43648	2	Bolt, Hex 1/4-20 x 1-1/2" Lg.
30	24040	1	Tongue	64	45071	1	Gauge, Pressure 2" 100 PSI
31	23014	1	Hitch Bracket	65	45072	3	Gasket, 3/4" Garden Hose
32	24041	1	Hitch Brace		46285	1	Owners Manual
33	23026	1	Wheel Axle, 3/4"				
34	43008	2	Wheel				