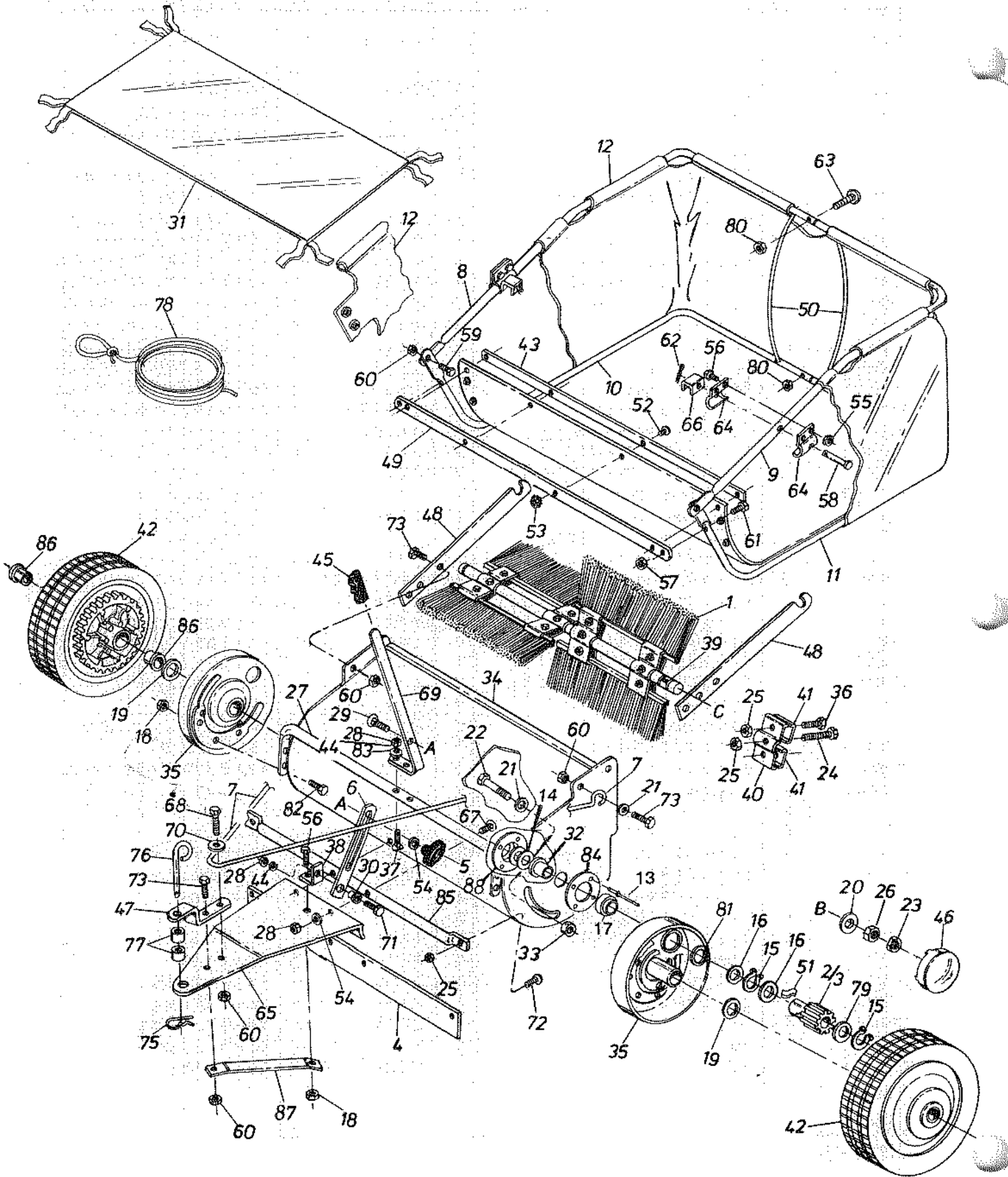


REPAIR PARTS FOR MODEL 45-02221 38" LAWN SWEEPER



REPAIR PARTS FOR MODEL NO. 45-02221 38" PULL BEHIND SWEEPER

REF	PART NO.	QTY	DESCRIPTION	REF	PART NO.	QTY	DESCRIPTION
1	43904	4	Brush	46	2674-32	2	Hub Cap
2	2692-6	1	Pinion Gear - R.H. (not shown)	47	23014	1	Hitch Bracket
3	2692-7	1	Pinion Gear - L.H.	48	23595	2	Bar Mount Arm
4	44960	1	Skirt	49	23352	1	Bag Frame Strap
5	43720	1	Height Adjustment Knob	50	43926	2	Hopper Support Rod
6	23876	1	Height Adjustment Strap	51	1671-1	2	Pawl (H.T.)
7	43958	1	Brace Rod	52	43346	6	Truss Hd. Slotted Screw #10-32 x 5/8 Lg.
8	44968	1	Upper Hopper Tube - R.H.	53	43662	6	Hex Lock Nut #10-32 Thd.
9	44969	1	Upper Hopper Tube - L.H.	54	43081	3	Flat Washer 5/16 Std.
10	43968	1	Lower Hopper Tube - R.H.	55	43064	4	Hex Lock Nut 5/16-18 Thd.
11	43969	1	Lower Hopper Tube - L.H.	56	43182	5	Hex Bolt 5/16-18 x 3/4" Lg.
12	44971	1	Hopper Bag	57	43013	2	Hex Lock Nut 1/4-20 Thd.
13	C-9M5732	8	Pop Rivet	58	43513	2	Clevis Pin 3/8" Dia. x 3" Lg.
14	R19212016	4	Washer, 21/32 x 1-1/4 x 16 Ga.	59	43407	5	Hex Bolt 3/8-16 x 3/4" Lg.*
15	1650-21	4	Retaining ring .594 I.D.	60	43082	8	Hex Lock Nut 3/8-16 Thd.
16	44007	6	Flat Washer (Shim)	61	1509-90	2	Hex Bolt 1/4-20 x 1-1/4" Lg.*
17	46219	2	Spacer .78 ID x 1-1/4 OD x .81 Lg.	62	0142-000	2	Cotter Pin 1/8" x 3/4" Lg.*
18	43064	7	Hex Lock Nut 5/16-18 Thd.	63	43978	2	Curved Hd. Bolt 1/4-20 x 1" Lg.
19	44008	2	Flat Washer .783 x 1.125 x .025	64	23331	4	Hopper Mount Clamp
20	0141-000	2	Flat Washer .38 x 1.25	65	23874	1	Tongue, Hitch
21	43070	4	Washer 3/8" Std.*	66	23354	2	Bag Retainer Clevis
22	44961	2	Hex Bolt 3/8-24 x 3-1/4 Lg.*	67	44215	2	Carriage Bolt 5/16-18 x 1-3/4"
23	44684	2	Jam Nut 3/8-24 Thd.	68	43062	1	Hex Bolt 3/8-16 x 1-1/2" Lg.*
24	43661	4	Hex Bolt 1/4-20 x 1" Lg.*	69	23850	1	Height Adj. Handle
25	43013	14	Hex Lock Nut 1/4-20 Thd.	70	R19172410	1	Flat Washer 17/32 x 1-1/2
26	1038	2	Hex Lock Nut 3/8-24 Thd.	71	43814	1	Sl. Truss Hd. Bolt 5/16-18 x 3/4"
27	44908	1	Height Adj. Tube	72	44950	2	Carriage Bolt 1/4-20 x 5/8" Lg.
28	43083	3	Hex Nut 5/16-18 Thd.	73	43087	2	Hex Bolt 1/4-20 x 5/8" Lg.
29	43080	1	Carriage Bolt 5/16-18 x 3/4" Lg.*	75	43343	1	Hairpin Cotter 5/32
30	23400	1	Bushing Spacer	76	23353	1	Hitch Pin
31	43687	1	Windscreen - 38"	77	23368	2	Hitch Adjustment Tube
32	44910	2	Brush Shaft Bushing	78	43737	1	Hopper Rope
33	44911	2	Spacer .39 I.D. x 1-1/4 O.D.	79	44006	2	Flat Washer .596 x .859 x .025
34	62864	1	Sweeper Housing Ass'y.	80	43013	2	Hex Lock Nut 1/4-20 Thd.*
35	63027	2	Dust Cover Ass'y.	81	43601	2	Flat Washer 1.00" I.D.
36	43012	8	Hex Bolt 1/4-20 x 3/4" Lg.	82	44692	4	Hex Bolt 5/16-18 x 1/2" Lg.*
37	44947	2	Curved Hd. Bolt 5/16-18 x 1-5/8	83	44695	2	Bowed Washer
38	23869	1	Angle Bracket	84	23336	2	Washer, Special
39	23852	1	Brush Shaft	85	44904	1	Hitch Tube
40	23580	4	Brush Retainer (Double)	86	45088	4	Wheel Bearing
41	23581	8	Brush Retainer (Single)	87	23875	1	Tongue Bracket
42	44985	2	Wheel Ass'y.	88	1629-56	2	Bearing Retainer
43	23343	1	Skirt Retainer		46222	1	Owners Manual
44	43086	3	Lock Washer 5/16" I.D.*				
45	43943	1	Grip				

* Common hardware may be purchased locally.