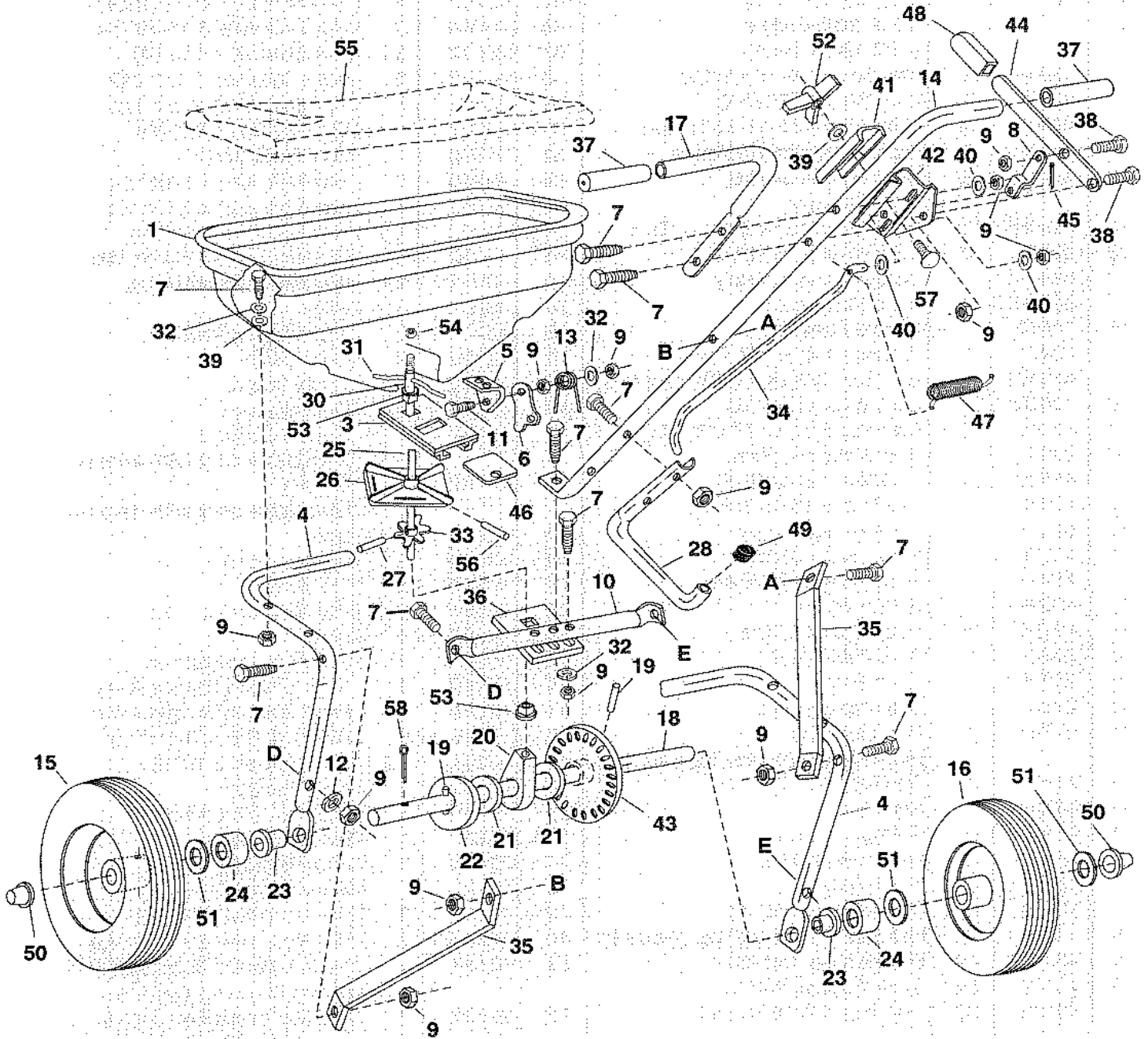


BROADCAST SPREADER MODEL 45-02141 (NEW WHEELS AND AXLE)



REPAIR PARTS LIST FOR BROADCAST SPREADER MODEL 45-02141

REF. NO.	PART NO.	QTY.	DESCRIPTION	REF. NO.	PART NO.	QTY.	DESCRIPTION
1	44624	1	Hopper	31	43878	1	Wire, Agitator
2	43882	4	Rivet, Stainless	32	43088	12	Washer, Flat 1/4" Std.
3	62482	1	Ass'y, Guide Closure	33	44468	1	Sprocket - 6 Tooth
4	44588	1	Tube, Frame	34	44514	1	Rod, Flow Control
5	23753	1	Slide Gate Angle Bracket	35	23525	2	Brace, Hitch
6	23758	1	Slide Gate Bracket	36	23780	1	Support, Shaft
7	43648	18	Bolt, Hex 1/4-20 x 1-1/2" Lg.*	37	44482	2	Grip, Handle
8	23756	1	Flow Control Link	38	43866	2	Bolt, Hex 1/4-20 x 5/8" Lg. Gr. 5
9	43013	22	Nut, Hex Lock 1/4-20 Thd. *	39	1543-069	7	Washer, Nylon
10	44591	1	Tube, Crossover	40	R19111116	3	Washer, 5/16 SAE
11	43012	1	Bolt, Hex 1/4-20 x 3/4" Lg. Gr. 5	41	23755	1	Gage, Flow Control
12	43177	2	Washer, Lock 1/4" I.D.*	42	23754	1	Bracket, Flow Control Mount
13	44566	1	Spring, Torsion	43	46885	1	Gear, Plastic
14	44590	1	Tube, Handle (Long)	44	23759	1	Flow Control Arm
15	47052	1	Wheel, Drive	45	44101	1	Cotter Pin 3/32" x 3/4" Lg.*
16	47051	1	Wheel, Idler	46	23533	1	Plate, Closure
17	44589	1	Tube, Handle (Short)	47	43000	1	Spring, Extension
18	24407	1	Shaft, Axle	48	43848	1	Grip, Flow Control Arm
19	44665	2	Pin, Spring 5/32" Dia. x 1-1/4" Lg.	49	44481	1	Cap, Vinyl
20	44672	1	Bushing, Axle Shaft	50	44663	2	Hub Cap
21	44137	4	Washer, Flat 1/2" I.D.	51	R19171616	3	Washer, Flat 17/32" I.D.
22	R19171616	1	Washer, Flat 17/32" I.D.	52	43849	1	Knob, Plastic 1/4-20 Thd.
23	741-0248	2	Bearing, Flange	53	44285	2	Bushing, Delrin 3/8" I.D.
24	46501	2	Tube, Spacer	54	43082	1	Nut, Hex Lock 3/8-16 Thd.*
25	23524	1	Shaft, Sprocket	55	44619	1	Optional Vinyl Hopper Cover
26	04367	1	Spreader Plate	56	46055	1	Pin, Spring 1/8" Dia. x 1" Lg.
27	43850	1	Pin, Spring 1/8" Dia. x 5/8" Lg.	57	44950	1	Bolt, Carriage 1/4-20 x 3/4" Lg.
28	44587	1	Tube, Leg Stand	58	47063	1	Pin, Cotter 5/32" x 2"
29	C-9M5732	2	Pop Rivet		47290	1	Owner's Manual
30	23766	1	Sleeve, Agitator				

*Purchase common hardware locally.