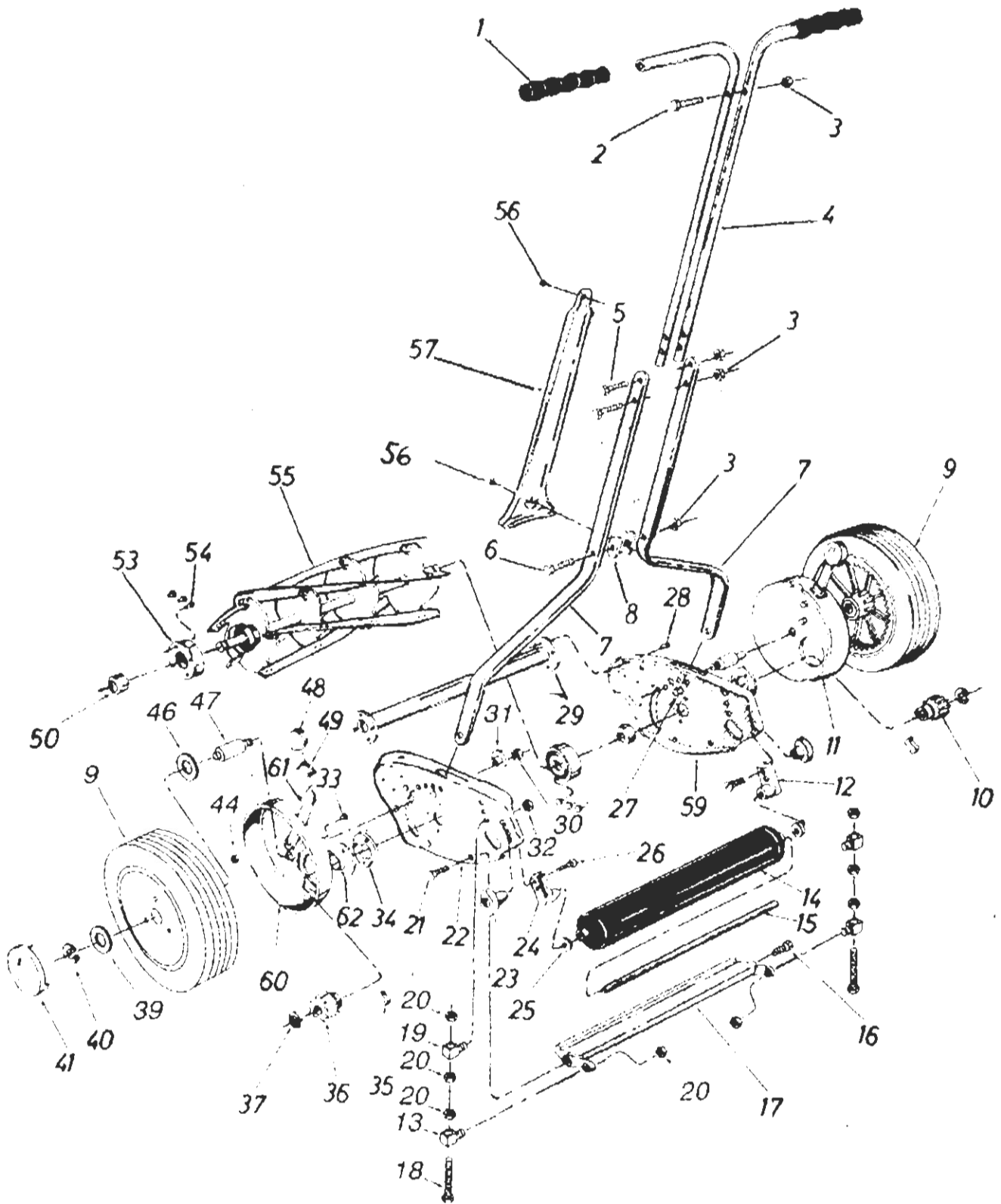


# REPAIR PARTS FOR MODEL NO. 45-01931 18" PUSH REEL MOWER



## REPAIR PARTS FOR MODEL NO. 45-01931 18" PUSH REEL MOWER

REF. NO.	PART NO.	QTY.	DESCRIPTION	REF. NO.	PART NO.	QTY.	DESCRIPTION
1	46471	2	Grip	30	44738	2	Nut, Hex Lock 5/16-24 Thd.
2	43084	1	Bolt, Hex 5/16-18 x 1-3/4" Lg. *	31	1657-19	2	Bushing, Wheel Adjust
3	43064	4	Nut, Hex Lock 5/16-18 Thd. *	32	1038	2	Hex Lock Nut, 3/8-24 Thd.
4	46434	2	Upper Handle	33	1509-38	2	Hex Screw, #10-32 x 3/8" Lg.
5	43224	2	Bolt, Hex 5/16-18 x 2-1/4" Lg. *	34	1624-138	2	Retainer
6	44292	1	Bolt, Hex 5/16-18 x 2-1/2" Lg. *	35	323	2	Pawl
7	3603-43	2	Handle Brace	36	428	1	Pinion Gear, L.H.
8	2624-18	1	Spacer	37	1650-21	2	Retaining Ring
9	1108-80	2	Wheel Assembly	39	1540-118	2	Flat Washer, 3/8" I.D. x 1-1/4" O.D.
10	425	1	Pinion Gear, R H				
11	2118-82	1	Gear Housing Ass'y. - R.H.	40	1650-1	2	Retaining Ring
12	1609-708	1	Roller Bracket, R.H.	41	2674-32	2	Hub Cap
13	46330	2	Trunnion, Adj. Screw	44	1534-8	2	Hex Lock Nut, #10-32 Thd.
14	43716	1	18" Roller	46	44008	2	Flat Washer, 1-1/8" O.D. x .78" I.D. x .025"
15	1632-144	1	Roller Shaft				
16	1509-86	1	Screw, Cutter Bar (L.H. Thd.)	47	1631-51	2	Axle
17	2134-14	1	Cutter Bar Assembly	48	1643-60	2	Knob, Wheel Adjustment
18	46331	2	Screw, Adjustment	49	1622-50	2	Dust Cover
19	46329	2	Trunnion, Adjustment Screw	50	44232	2	Bearing
20	52	8	Nut, Hex 3/8-24 Thd.	53	1629-28	2	Retainer, Bearing
21	455	1	Screw, Cutter Bar (R.H. Thd.)	54	1530-20	6	Rivet, 3/16 Dia. x 13/32" Lg.
22	3111-131	1	End Plate Ass'y. - L.H.	55	2135-46	1	18" Reel Ass'y.
23	1643-23	2	Roller Adjustment Knob	56	44818	2	Screw, Hex Hd. #10 x 5/8" Lg.
24	1609-707	1	Roller Bracket, L.H.	57	3622-54	1	Handle Panel
25	43081	2	Flat Washer, 5/16" Std. *	59	3111-130	1	End Plate Ass'y. - R.H.
26	43682	2	Roller Adjustment Bolt	60	2118-81	1	Gear Housing Ass'y. - L.H.
27	10	2	Trunnion	61	1155-47	2	Spring and Trunion Ass'y.
28	44060	8	Pop Rivet	62	1629-41	2	Pinion Housing
29	1112-29	1	Spacer Tube Ass'y.		46802	1	Owners Manual

\* Common hardware may be purchased locally.