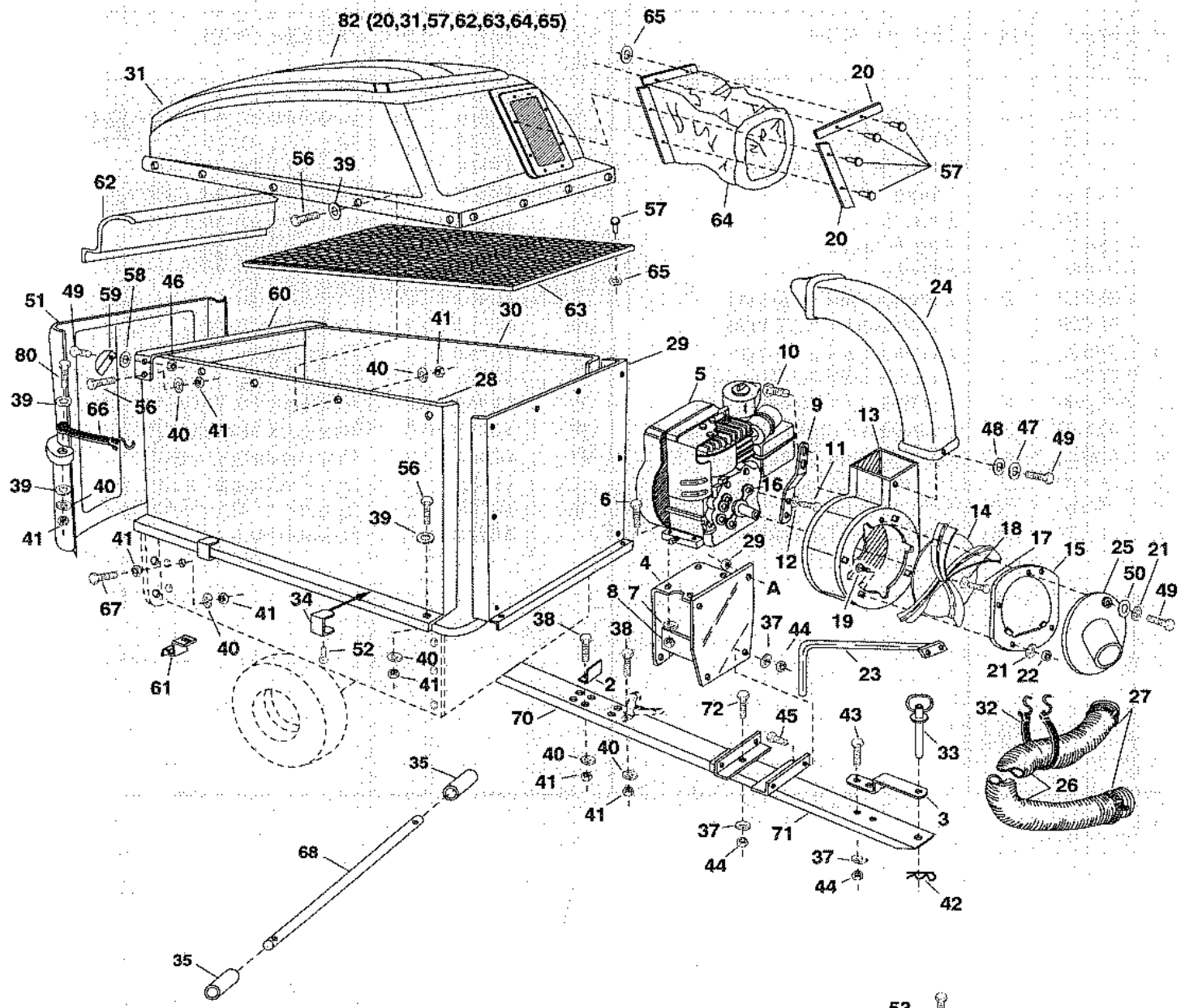
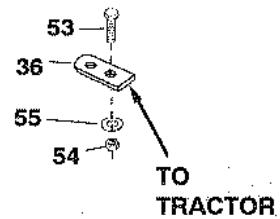
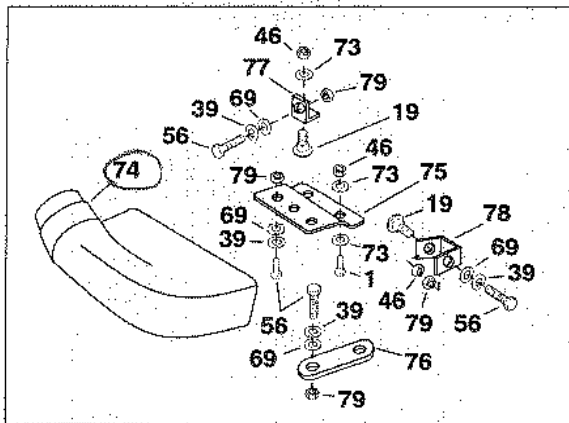


# MOW-N-VAC MODEL 45-01884



## ADAPTER # 62468



# REPAIR PARTS LIST FOR MOW-N-VAC, MODEL 45-01884

REF. NO.	PART NO.	QTY.	DESCRIPTION	REF. NO.	PART NO.	QTY.	DESCRIPTION
1	43063	2	Hex Bolt, 5/16" x 1"	42	43343	1	Hairpin Cotter, 5/32
2	23655	1	Stop Angle	43	43087	2	Hex Bolt, 3/8" x 1-1/4"
3	23475	1	Hitch Bracket (Heavy Duty)	44	43082	9	Hex Lock Nut, 3/8-16 Thread
4	62450	1	Engine Base Ass'y	45	43001	4	Hex Bolt, 3/8" x 1" (Grade 5)
5		1	5 H.P. B&S Engine (135212-1313-E1)	46	43064	3	Hex Lock Nut, 5/16-18 Thd.
6	43085	4	Hex Bolt, 5/16-18 x 1-1/2"	47	43572	3	Flat Washer, 1-1/2" OD
7	43086	4	Lock Washer 5/16" ID	48	43553	2	Nylon Washer, 1-1/2" OD
8	43064	4	Hex Lock Nut 5/16-18 Thread	49	43182	5	Hex Bolt, 5/16" x 3/4" Lg.
9	23474	1	Bracket, Engine To Blower	50	43081	1	Flat Washer, 5/16" Std.
10	43749	2	Hex Thread Cut Bolt, 5/16-18 x 3/4"	51	44790	1	Poly Rear Door
11	710-0627	2	Hex Bolt, 5/16" x 3/4" Lg. Gr. 5	52	43768	5	Hex Bolt, 3/8" x 1-1/2" Lg.
12	43086	2	Lock Washer, 5/16" ID	53	43351	1	Hex Bolt, 1/2" x 1-1/4" Lg.
13	62486	1	Blower Housing Ass'y	54	43262	1	Hex Lock Nut, 1/2" Thd.
14	681-0075	1	Vane Plate Ass'y	55	43352	1	Flat Washer, 7/16" Std. Wrt.
15	14563	1	Nozzle Plate Ass'y	56	43012	31	Hex Bolt, 1/4" x 3/4" Lg.
16	23477	1	Sq. Key 1/4" x 1/4" x 2" Lg.	57	43882	21	Rivet
17	47048	1	Hex Bolt, 3/8-24 x 1-1/2" Grade 5	58	1543-69	2	21/64" Nylon Washer
18	43003	1	Lock Washer 3/8" ID	59	23789	2	Door Latch
19	43080	6	Carriage Bolt, 5/16" x 3/4" Lg.	60	23836	1	Cross Brace
20	23842	4	Boot Mounting Strap	61	23838	2	Door Support
21	43086	5	Lock Washer 5/16" ID	62	23837	1	Screen Support
22	43083	4	Hex Nut, 5/16-18 Thread				<b>(Available only with item no. 81)</b>
23	62451	1	Hose Hanger Ass'y	63	44792	1	Screen
24	43788	1	Elbow w/ Deflector				<b>(Available only with item no. 81)</b>
25	43791	1	Hose Adapter (Nozzle)	64	44796	1	Boot
26	43792	1	6" O.D. Hose	65	43910	21	Washer, 3/16"
27	43793	2	Hose Clamp 6" Dia.	66	44840	2	Tie Strap
28	23834	1	Side Panel (R.H.)	67	43661	2	Hex Bolt, 1/4" x 1" Lg.
29	23835	1	Front Panel	68	23488	1	Axle
30	23833	1	Side Panel (L.H.)	69	1543-69	3	21/64" Nylon Washer
31	44791	1	Poly Hard Top <b>(Available only with item no. 81)</b>	70	63025	1	Rear Section Tongue Ass'y
32	43790	1	Tie Strap 25" Lg.	71	63026	1	Front Section Tongue Ass'y
33	43884	1	Hitch Pin	72	46938	3	Hex Bolt, 3/8" x 3-1/4" Lg.
34	23478	5	Clamp, Cart Ext.	73	43081	12	Flat Washer, 5/16" Std.
35	44678	2	Tube Sleeve 1" ID	74	43830	1	Deck Adapter
36	23540	1	Hitch Plate	75	23560	1	Bracket, Deck Adapter
37	43003	9	Lock Washer 3/8" ID	76	23825	1	Mounting Strap
38	43796	4	Hex Bolt, 1/4" x 2-3/4" Lg. (Grade 5)	77	23826	1	Angle Bracket
39	43088	31	Flat Washer, 1/4" ID	78	23827	1	Mounting Bracket
40	43177	36	Lock Washer, 1/4" ID	79	43013	3	Hex Lock Nut, 1/4" Thd.
41	43178	38	Hex Nut, 1/4-20 Thread	80	1509-90	2	Hex Bolt, 1/4-20 x 1-1/4" Lg.
				81	62468	1	Deck Adapter Kit (Includes parts shown in box on page 16.)
				82	62836	1	Hardtop assembly (Includes items 20, 31, 57, 62, 63, 64 and 65.)
					47023	1	Owner's Manual