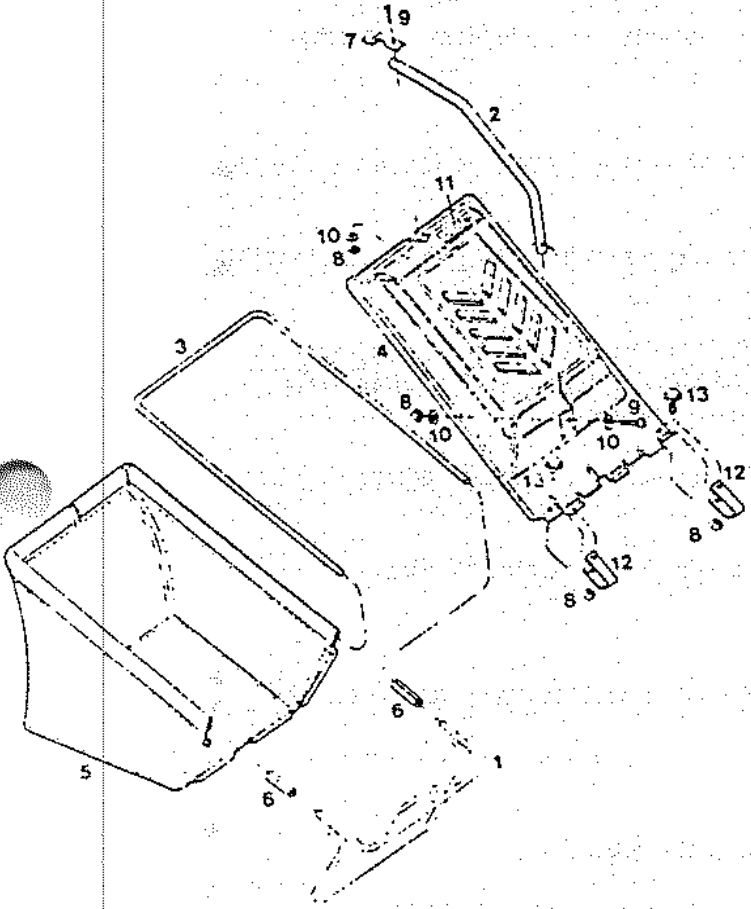
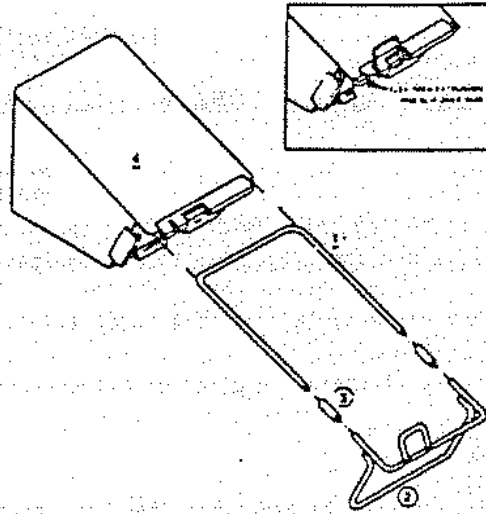


# LAWN CHIEF REAR BAGGING GRASS CATCHER ACCESSORIES - PARTS BREAKDOWNS

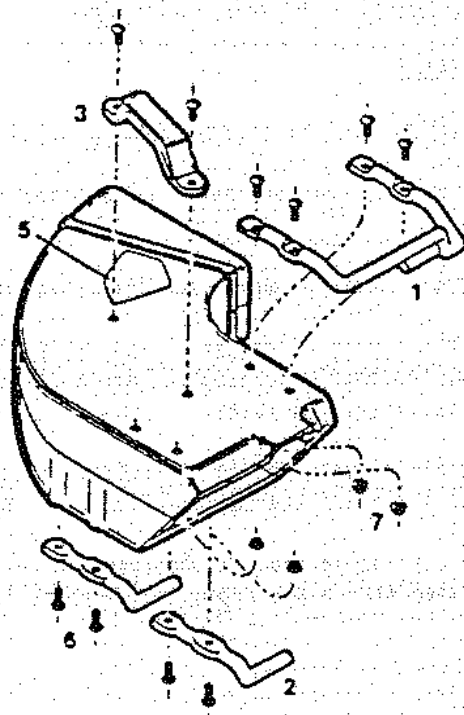
## P/N 127084

INDEX NO.	PART NO.	DESCRIPTION
1	172593	CATCHER HOOP
2	096578	CATCHER FRAME
3	151464	CONNECTOR
4	160952	CATCHER BAG



## P/N 160911

Index No.	Part No.	Description
1	096578	Frame-Catcher
2	089326	Handle-Catcher
3	172593	Hoop-Catcher
4	114900	Catcher-Top
5	161034	Catcher-Bottom
6	151464	Connector
7	176149	Latch
8	452318	Nut #10-24 Nylock
9	459370	Screw #10-24 x 1 1/2 Round Hd.
10	715136	Washer #10 Flat
11	001800	Decal - Warning
12	089292	Clip - Retainer
13	380949	Screw - #10-24 x 1 Hex



## P/N 160762

Item No.	Part No.	Description
1	029892	Frame-Upper Chute
2	029900	Frame-Lower Chute
3	111351	Handle-Chute
4	111799	Chute-Rear Discharge
5	140343	Decal-Danger
6	152652	Screw-Slotted Truss Head 1/4-20 x 5 8
7	715078	Locknut 1/4-20 Flanged Whiz