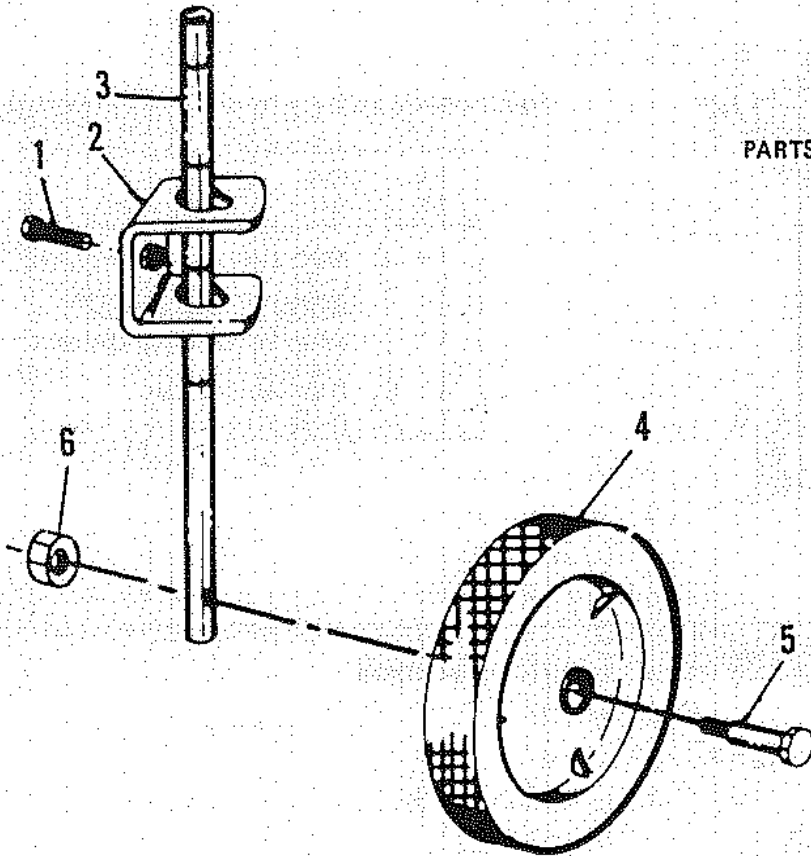


DEPTH GAGE WHEEL KIT MODEL 23-60AS



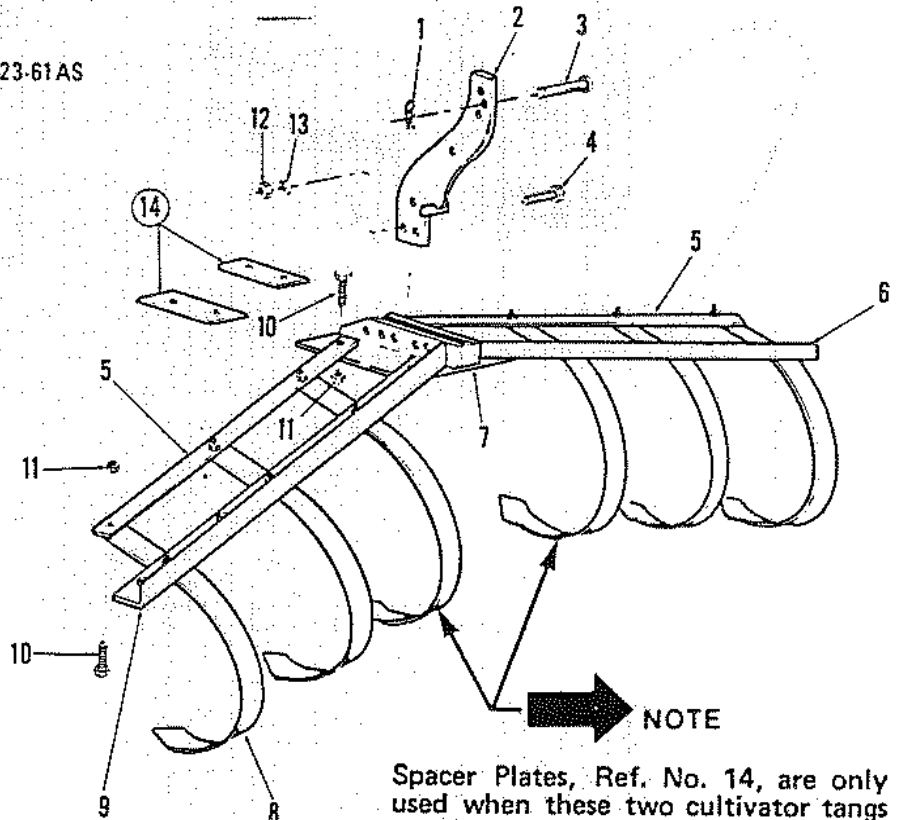
PARTS LIST FOR DEPTH GAGE WHEEL KIT MODEL 23-60AS

Ref. No.	Part No.	Description
1	20-270	Bolt
2	7-432	Bracket - Clamp
3	28-125	Rod - Gage Wheel
4	3-133	Wheel
5	20-295	Bolt
6	19-10	Nut

6-TINE SPRING TOOTH CULTIVATOR KIT MODEL 23-61AS

PARTS LIST FOR SPRING CULTIVATOR KIT MODEL 23-61AS

Ref. No.	Part No.	Description
1	28-7	Hairpin
2	15-34	Adapter
3	28-6	Pin - Clevis
4	18-83	Bolt
5	99-65	Bar - Front Frame
6	99-67	Frame - Rear R.H.
7	99-68	Center Frame Assembly
8	84-80	Cultivator Tang
9	99-66	Frame - Rear L.H.
10	18-4	Bolt
11	19-118	Nut
12	19-10	Nut
13	21-18	Washer
14	22-144	Plate



NOTE
 Spacer Plates, Ref. No. 14, are only used when these two cultivator tangs are removed.