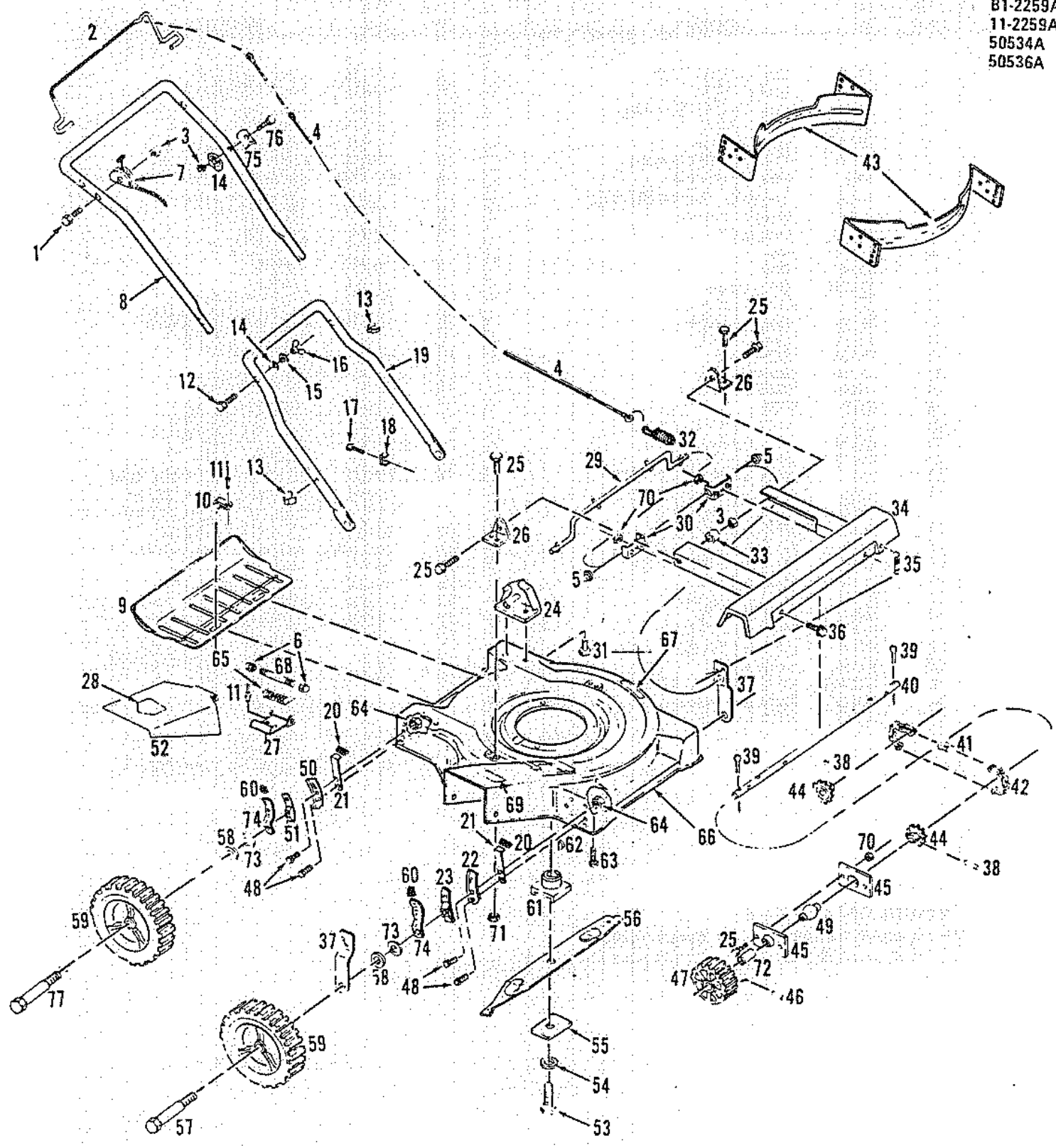


B1-2259A
11-2259A
50534A
50536A



PARTS LIST FOR MODELS B1-2259A, 11-2259A, 50534A & 50536A

Ref. No.	Part No.	Description	Ref. No.	Part No.	Description
1	18-18	Bolt - 1/4-20 x 1-1/2	41	110-39	Master Link
2	4-256	Handle Weldment	42	110-48	Chain
3	19-117	Nut - Hex 1/4-20 Locking	43	22-149	Baffle
4	47-599	Cable - Drive	44	135-62	Sprocket - Drive
5	19-208	Nut - 3/8 Push	45	22-145	Plate - Bearing
6	19-213	Nut - Acorn Push	46	28-23	Pin - Roll
7	8-91	Control - Throttle	47	101-84	Pinion - Drive
8	4-261	Handle - Folding	48	20-294	Bolt - 3/8-16 x 5/8
9	10-234	Trailguard	49	11-145	Bearing
10	17-143	Clip	50	12-178	Plate - Mounting, RR & LF
11	62-34	Rivet	51	7-380	Bracket - Q.W.A., RR & LF
12	20-376	Bolt - Handle	52	22-159	Deflector - Hinged
13	17-2	Clamp - Cable	53	18-36	Bolt - Blade
14	21-191	Washer - Curved	54	21-18	Washer - Blade
15	21-197	Washer - Lock	55	26-97	Spacer - Adapter
16	19-183	Nut - Wing	56	1-111	Blade - 22"
17	20-195	Screw - Casing	57	* 20-358	Bolt - Shoulder
18	17-80	Clamp - Casing	58	21-33	Washer - 3/8 Flat
19	†6-62	Yoke	59	3-222	Wheel - 8" Plastic
20	137-14	Tip - Saf-T-Lift		*3-106AS	Wheel - 8" Steel w/Bearing
21	7-372	Bracket - Saf-T-Lift	60	137-13	Tip - Q.W.A.
22	12-179	Plate - Mounting, LR & RF	61	15-21AS	Adapter Assembly - Blade
23	7-379	Bracket - Q.W.A., LR & RF	62	16-1	Key
24	7-364AS	Bracket Assembly - Yoke, L.H.	63	20-156	Bolt - Engine
	7-365AS	Bracket Assembly - Yoke, R.H.	64	19-147	Nut - Axle
25	18-1	Bolt - 1/4-20 x 5/8	65	76-146	Spring - Deflector Return
26	7-245	Bracket - Pinion Tube	66	2-264	Housing
27	7-473	Bracket - Deflector	67	54-326	Decal - "Place Foot..."
28	54-542	Decal - Danger	68	28-141	Pin - Deflector Hinge Pivot
29	82-161	Rod - Engagement	69	54-387	Decal - Caution
30	7-433	Bracket - Hinge	70	19-2	Nut - 1/4-20 Keps
31	20-186	Bolt - 1/4-20 x 1/2	71	19-139	Nut - 1/4-20 Flange
32	76-147	Spring - Lever Arm	72	26-155	Spacer
33	26-150	Spacer - Pivot	73	21-113	Washer - Spring
34	10-266AS	Cover Assembly - Pinion	74	76-109	Spring
35	76-164	Spring - Extension	75	7-497	Bracket - Cable Mounting
36	20-329	Screw - 1/4-20 x 5/8	76	18-42	Bolt - 1/4-20 x 1-1/4 Hex
37	79-185	Arm - Actuated	77	* 20-357	Bolt - Shoulder
38	28-50	Pin - Roll 3/16 x 1			
39	28-26	Pin - Cutter 1/8 x 1			
40	102-164	Shaft - Pinion			
					OPTIONAL ACCESSORY
					30-0215 Grass Catcher
					30-0265 Replacement Bag for 30-0215

*For steel wheels - Use 20-313 bolt w/spacer 26-148 front
20-320 bolt w/spacer 26-147 rear

†Starting in 1982, use 6-76 yoke.