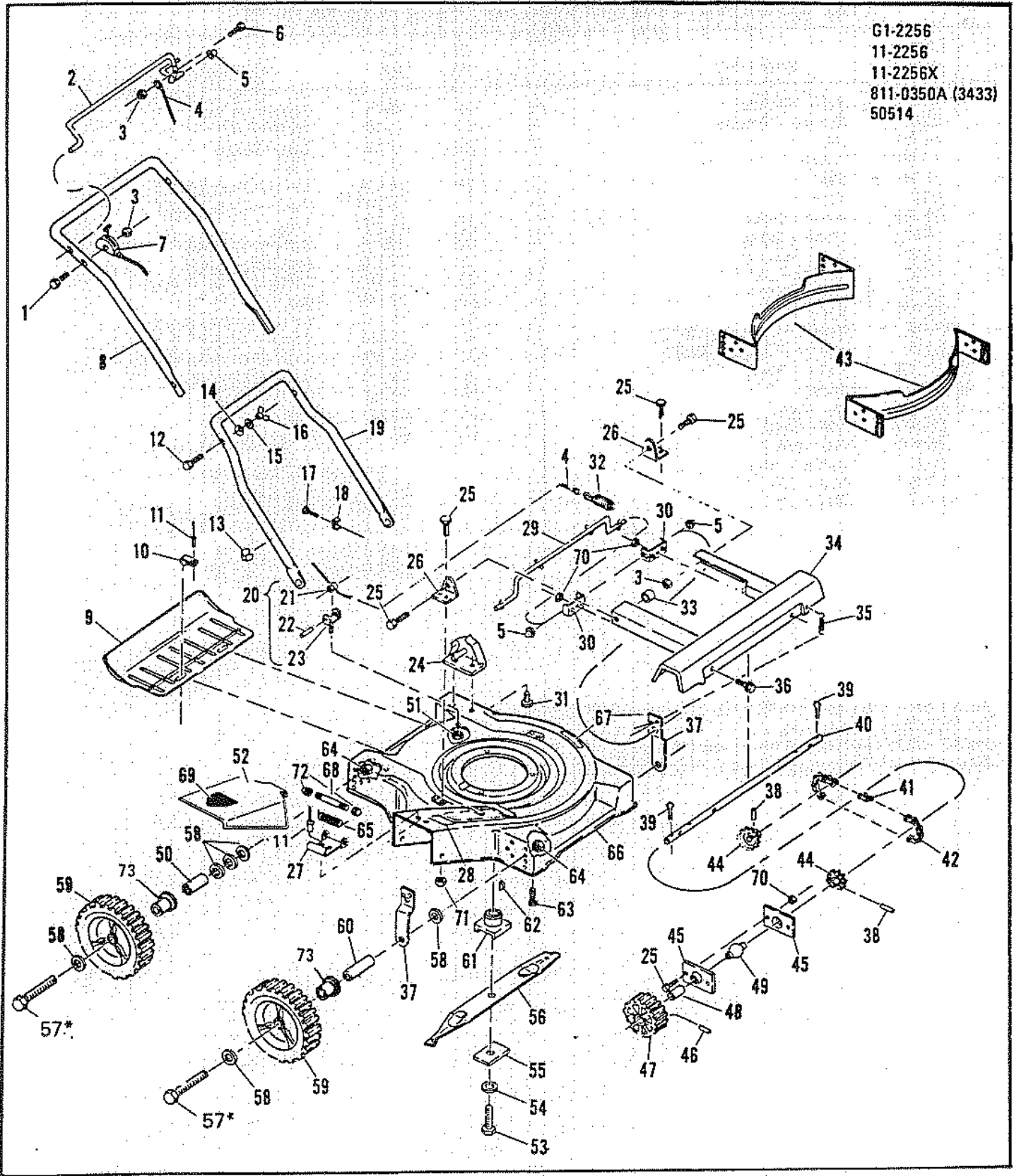


G1-2256  
11-2256  
11-2256X  
811-0350A (3433)  
50514



\*For plastic wheels — Use shoulder bolt 20-361 for front wheels and shoulder bolt 20-360 for rear wheels.

PARTS LIST FOR MODELS G1-2256, 11-2256, 11-2256X, 811-0350A (3433) & 50514

Ref. No.	Part No.	Description	Ref. No.	Part No.	Description
1	18-18	Bolt - 1/4-20 x 1-1/2	39	28-26	Pin - Cotter 1/8 x 1
2	*4-221	Handle Weldment	40	102-163	Shaft - Pinion
3	19-117	Nut - Hex 1/4-20 Locking	41	110-39	Master Link
4	47-580	Cable - Drive	42	110-48	Chain
5	19-208	Nut - 3/8 Push	43	**22-149	Baffle
6	18-3	Bolt - 1/4-20 x 3/4	44	135-62	Sprocket - Drive
7	*8-91	Control - Throttle	45	22-145	Plate - Bearing
8	4-222	Handle - Folding	46	28-23	Pin - Roll
9	10-234	Trailguard	47	101-84	Pinion - Drive
10	17-143	Clip	48	26-154	Spacer
11	62-34	Rivet	49	11-145	Bearing
12	18-131	Bolt - Handle	50	†26-146	Spacer - Wheel
13	17-2	Clamp - Cable	51	19-3	Nut - 5/16
14	21-191	Washer - Curved	52	22-159	Deflector - Hinged
15	21-197	Washer - Lock	53	18-36	Bolt - Blade
16	19-183	Nut - Wing	54	21-18	Washer - Blade
17	20-195	Screw - Casing	55	26-97	Spacer - Adapter
18	17-80	Clamp - Casing	56	1-111	Blade - 22"
19	6-62	Yoke	57	†20-121	Bolt - 3/8-16 x 2-1/2
20	105-88	Clevis Assembly	58	21-33	Washer - 3/8 Flat
21	105-82	Pulley - Cable	59	†3-168	Wheel - 8"
22	28-110	Pin - Roll	60	†26-147	Spacer - Wheel
23	6-56	Clevis	61	15-21	Adapter - Blade
24	7-364	Bracket - Yoke, L.H.	62	16-1	Key
	7-365	Bracket - Yoke, R.H.	63	20-156	Bolt - Engine
25	18-1	Bolt - 1/4-20 x 5/8	64	19-146	Nut - Axle
26	7-245	Bracket - Pinion Tube	65	76-146	Spring - Deflector Return
27	7-473	Bracket - Deflector	66	2-259	Housing
28	*54-387	Decal - Caution	67	*54-326	Decal - "Place Foot...."
29	82-160	Rod - Engagement	68	28-141	Pin - Deflector Hinge Pivot
30	7-433	Bracket - Hinge	69	*54-542	Decal - "Danger"
31	20-186	Bolt - 1/4-20 x 1/2	70	19-2	Nut - 1/4-20 Keps
32	76-147	Spring - Lever Arm	71	19-139	Nut - 1/4-20 Flange
33	26-150	Spacer - Pivot	72	19-213	Nut - Acorn Push
34	10-228	Cover - Pinion	73	20-145	Screw - Hex Hd.
35	76-133	Spring - Extension	74	11-117	Bearing (11-2256X Only)
36	20-329	Screw - 1/4-20 x 5/8			OPTIONAL ACCESSORY
37	79-185	Arm - Actuated		30-0215	Grass Catcher
38	28-50	Pin - Roll 3/16 x 1		30-0265	Replacement Bag for 30-0215

\*Model 811-0350A (3433)

2	4-240	Handle Weldment
7	8-116	Control - Throttle
28	54-542	Decal - "Danger"
59	3-202	Wheel - 8" Yellow
67	54-411	Decal - "Place Foot...."
69	54-530	Decal - "Caution"

†Model 11-2256X

50	26-147	Spacer - Wheel
57	20-303	Bolt - Front Only
59	3-106	Wheel - 8" w/bearing
60	26-148	Spacer - Wheel

\*\*Front baffle only on models 11-2256, 11-2256X & G1-2256  
 Rear baffle only on model 811-0350A (3433)  
 Front and rear baffle on model 50514