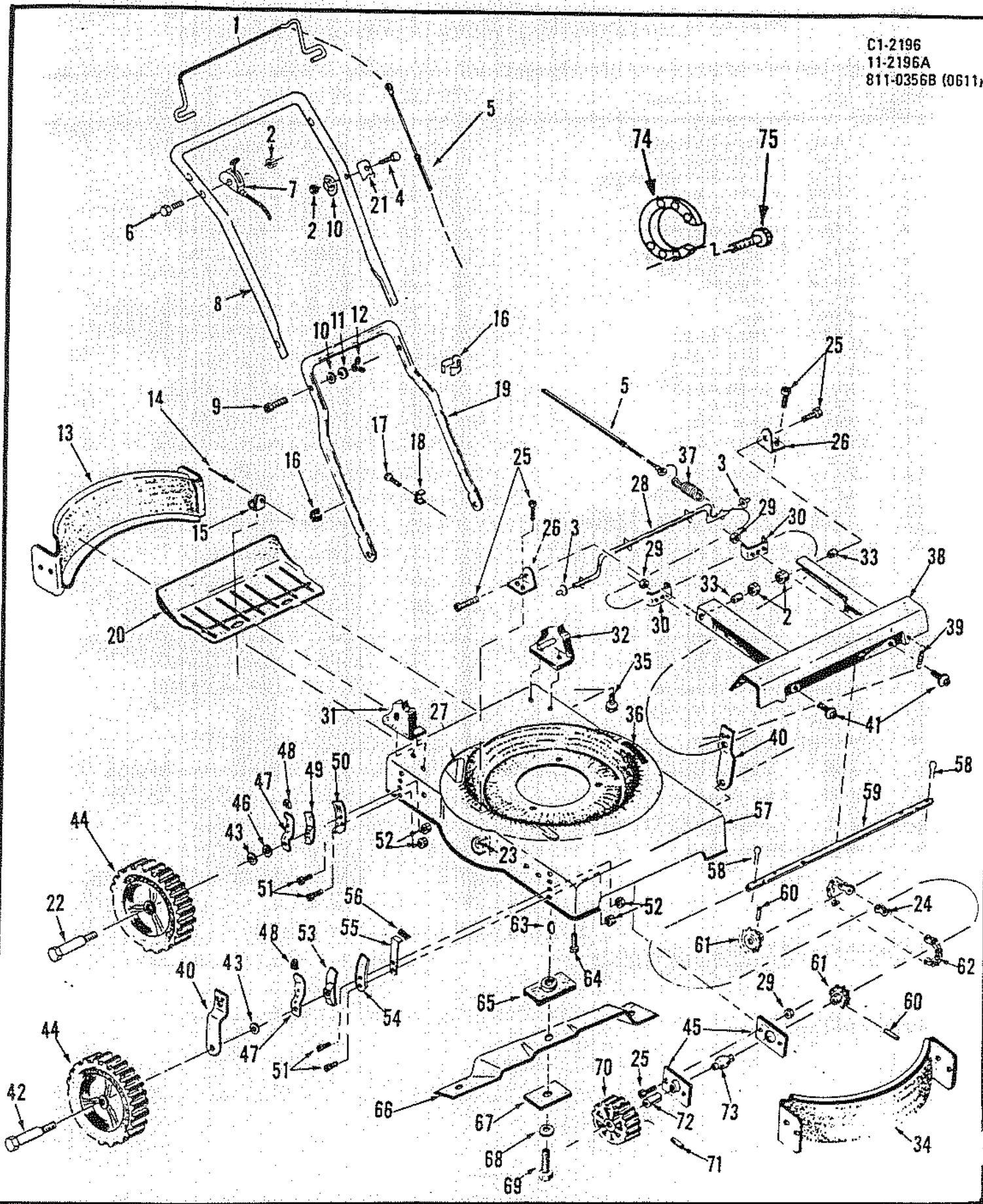


C1-2196
11-2196A
811-0356B (0611)



PARTS LIST FOR MODELS C1-2196, 11-2196A & 811-0356B (0611)

Ref. No.	Part No.	Description	Ref. No.	Part No.	Description
1	4-256	Handle Weldment	40	79-185	Arm - Actuated
2	19-117	Nut - Eslock 1/4-20	41	20-329	Screw - Flange Head 1/4-20 x 5/8
3	19-208	Nut - Push	42	20-358	Bolt - Shoulder
4	18-42	Bolt - Hex 1/4-20 x 1-1/4	43	21-33	Washer - Flat
5	47-599	Cable - Drive	44	3-222	Wheel - 8" Plastic Cog, White
6	18-18	Bolt - Hex 1/4-20 x 1-1/2		3-221	Wheel - 8" Plastic Cog, Yellow
	18-44	Bolt - 1/4-20 x 1-3/4	45	22-145	Plate - Bearing
7	8-91	Control - Throttle	46	21-113	Washer
	8-116	Control - Throttle (0356B)	47	76-109	Spring - O.W.A.
8	4-261	Handle	48	137-13	Tip - O.W.A., Black
9	20-376	Bolt - Curved Head 5/16-18 x 2-1/4		137-17	Tip - O.W.A., Red
10	21-191	Washer - Curved	49	7-380	Bracket - Slide RR, LF
11	21-197	Washer	50	12-194	Plate - Mounting RR, LF
12	19-183	Nut - Wing		12-189	Plate - Mounting RR, LF (0356B)
13	22-152	Baffle - Rear	51	20-294	Bolt - 3/8-16 x 5/8
14	62-34	Rivet - Pop	52	19-147	Nut - Keps 3/8-16
15	17-143	Clip	53	7-379	Bracket - Slide LR, RF
16	17-2	Clamp - Cable	54	12-193	Plate - Mounting LR, RF
17	20-195	Screw - Casing		12-190	Plate - Mounting LR, RF (0356B)
18	17-80	Clamp - Casing	55	7-372	Bracket - Saf-T-Lift
19	*6-62	Yoke	56	137-14	Tip - Saf-T-Lift, Black
20	10-234	Guard - Trailing		137-18	Tip - Saf-T-Lift, Red
21	7-497	Bracket - Cable Mounting	57	2-265	Housing
22	20-357	Bolt - Shoulder	58	28-26	Pin - Cotter 1/8 x 1
23	19-139	Nut - Flange 1/4-20	59	102-169	Shaft - Propeller
24	110-39	Master Link - No. 48	60	28-50	Pin - Roll 3/16 x 1
25	18-1	Bolt - Hex 1/4-20 x 5/8	61	135-62	Sprocket - Drive
26	7-245	Bracket - Pinion Tube	62	110-63	Chain - Roller, No. 48
27	54-542	Decal - "Danger"	63	16-1	Key - Woodruff
28	82-165	Rod - Engagement	64	20-156	Screw - Engine
29	19-2	Nut - Hex 1/4-20	65	15-36AS	Adapter Assembly - Blade
30	7-433	Bracket - Hinge	66	1-139	Blade - Mulcher
31	7-365AS	Bracket Assembly - Yoke R.H.	67	26-97	Spacer - Blade
32	7-364AS	Bracket Assembly - Yoke L.H.	68	21-18	Washer - Lock
33	26-150	Spacer - Pivot	69	18-36	Bolt - Blade
34	22-147	Baffle - Front	70	101-84	Pinion - Drive
35	20-186	Screw - 1/4-20 x 1/2	71	28-23	Pin - Roll
36	54-326	Decal - "Place Foot...."	72	26-156	Spacer
	54-411	Decal - "Place Foot" (0356B)	73	11-145	Bearing
37	76-147	Spring - Lever Arm	74	59-22	Deflector - Muffler (0356B)
38	10-260AS	Cover Assembly - Pinion	75	20-334	Screw (0356B)
39	76-164	Spring - Extension			

*Starting in 1982, use 6-76 yoke.