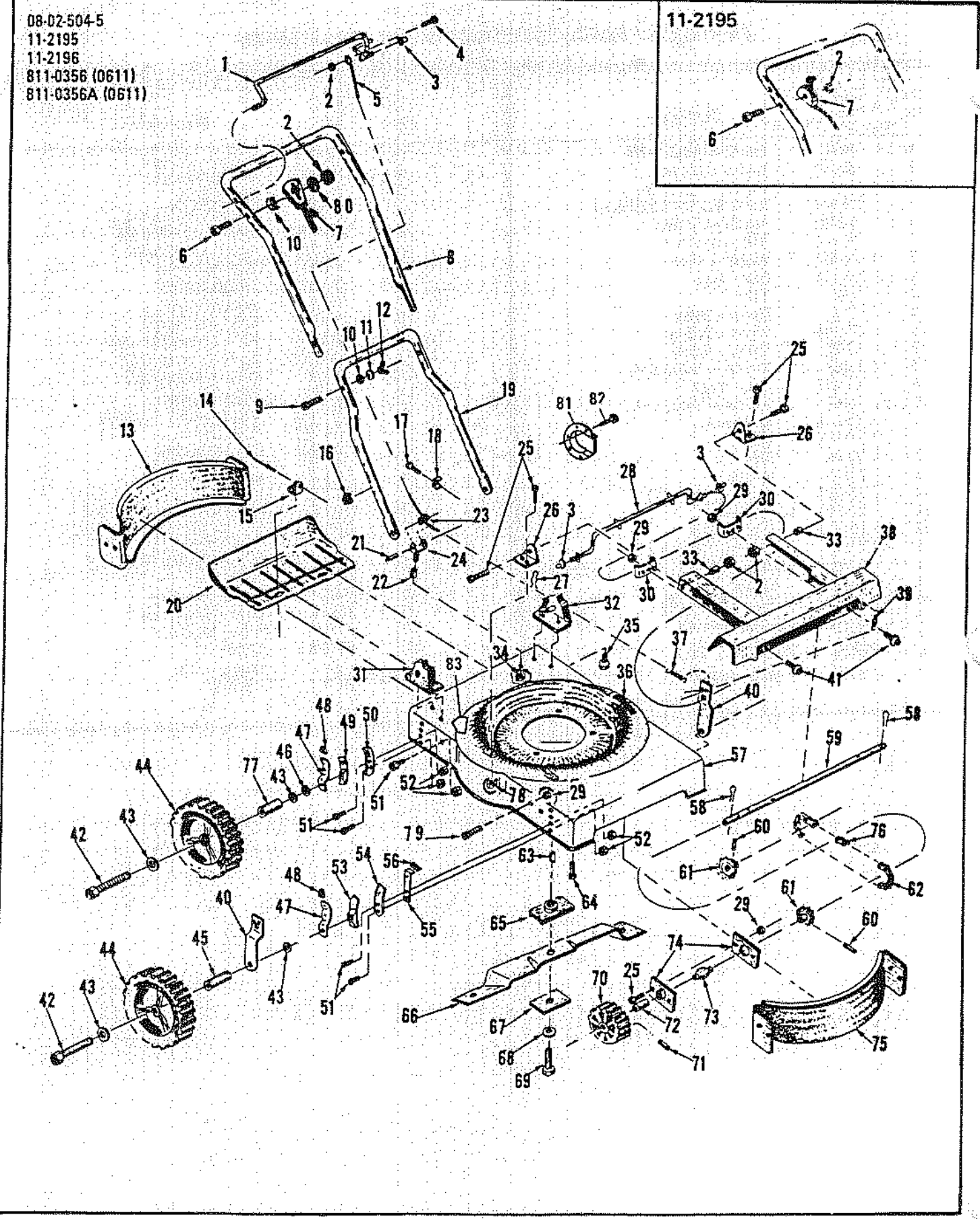


08-02-504-5
11-2195
11-2196
811-0356 (0611)
811-0356A (0611)

11-2195



PARTS LIST FOR MODELS 08-02-504-5, 11-2195, 11-2196, 811-0356 (0611) & 811-0356A (0611)

Ref. No.	JCPenney Part No.	Supplier Part No.	Description	Ref. No.	JCPenney Part No.	Supplier Part No.	Description
1	1093-0253	4-221	Handle Weldment	41	1093-0394	20-329	Screw - 1/4-20 x 5/8
2	1066-3565	19-117	Nut - Hex 1/4-20 Locking	42	1086-5996	20-320	Bolt - Wheel
3	1093-0279	19-208	Nut - 3/8 Push	43	1072-5216	21-33	Washer - 3/8 Flat
4	1085-8256	18-3	Bolt - 1/4-20 x 3/4	44	1138-6679	3-202	Wheel - 8"
5	1124-6923	47-588	Cable - Drive	45	1093-0501	26-147	Spacer - Wheel
6	1093-4859	18-18	Bolt - 1/4-20 x 1-1/2	46	1066-3474	21-113	Washer - Curved
7		*8-115	Control - Throttle (811-0356)	47	1116-1007	76-109	Spring - Q.W.A.
	1124-6949	*8-116	Control - Throttle (811-0356A)	48	1116-1023	137-13	Tip - Q.W.A. Spring
8	1093-0287	4-222	Handle - Folding	49	1129-2018	7-380	Bracket - O.W.A. Slide
9	1086-5889	18-131	Bolt - Handle	50	1129-2703	*12-189	Plate - Mounting R.R. - L.F.
10	1072-7089	21-191	Washer - Curved	51	1116-1866	20-294	Bolt - 3/8-16 x 5/8
11	1086-5897	21-197	Washer - Lock	52	1072-7113	19-147	Nut - 3/8-16 Keps
12	1066-2971	19-183	Nut - Wing	53	1129-4071	7-379	Bracket - O.W.A. Slide
13	1093-4883	22-152	Baffle	54	1137-3784	*12-190	Plate - Mounting L.R. - R.F.
14	1076-0221	62-34	Rivet	55	1127-2788	7-372	Bracket - Safety Lift
15	1076-0288	17-143	Clip	56	1127-2713	137-14	Tip - Safety Lift
16	1086-5913	17-2	Clamp - Cable	57	1134-3506	2-241	Housing
17	1076-0080	20-195	Screw - Casing	58	1093-1343	28-26	Pin - Cotter 1/8 x 1
18	1076-0171	17-80	Clamp - Casing	59	1128-9766	102-169	Shaft - Propeller
19	1093-4834	6-62	Yoke	60	1093-0410	28-50	Pin - Roll 3/16 x 1
20	1086-5954	10-234	Trailguard	61	1093-0451	135-24	Sprocket - Drive
21	1086-6150	28-110	Pin - Roll	62		**110-63	Chain - No. 48, 50 Rollers
22	1137-8684	26-145	Spacer	63	1066-3706	16-1	Key
23	1086-6135	105-82	Pulley - Cable	64	1076-0148	20-156	Bolt - Engine
24	1093-0311	6-56	Clevis	65	1086-6010	15-36	Adapter - Blade
25	1093-0329	18-1	Bolt - 1/4-20 x 5/8	66	1093-5211	1-139	Blade - Mulcher
26	1093-0337	7-245	Bracket - Pinion Tube	67	1076-0163	26-97	Spacer - Adapter
27	1086-5939	117-107	Clip - Yoke	68	1066-3490	21-18	Washer - Blade
28	1137-7116	82-165	Rod - Engagement	69	1076-0205	18-36	Bolt - Blade
29	1066-3607	19-2	Nut - 1/4-20 Keps	70	1093-0477	101-84	Pinion - Drive
30	1093-4446	7-433	Bracket - Hinge	71	1072-7097	28-23	Pin - Roll 3/16 x 1-1/4
31	1086-5921	7-365	Bracket - Yoke, R.H.	72	1134-4025	26-156	Spacer
32	1086-5947	7-364	Bracket - Yoke, L.H.	73	1093-0493	11-145	Bearing
33	1093-0360	26-150	Spacer - Pivot	74	1093-0469	22-145	Plate - Bearing
34	1066-3599	19-3	Nut - 5/16	75	1086-5988	22-147	Baffle
35	1129-0277	20-186	Bolt - 1/4-20 x 1/2	76	1066-3110	110-39	Master Link
36	1076-7218	54-411	Decal - "Place Foot...."	77	1072-7402	26-146	Spacer - Wheel
37	1138-2504	76-147	Spring - Lever Arm	78	1093-0931	19-139	Nut - 1/4-20 Flange
38	1093-0378	10-228	Cover - Pinion	79	1093-0576	18-110	Bolt - 1/4-20 x 1/2
39	1093-0386	76-133	Spring - Extension	80	1066-3508	21-13	Washer - 1/4 Dia. (0356 & 0356A)
40	1093-0402	79-185	Arm - Actuated	81	1138-2538	59-22	Deflector - Muffler (0356 & 0356A)
				82	1138-2546	20-334	Screw (0356 & 0356A)
				83	1138-1084	54-542	Decal - "Danger"

†Discontinued in 1980, not needed.

**Chain 110-60, 51 rollers, changed to 110-63, 50 rollers.

*08-02-504-5, 11-2195 and 11-2196

7	8-91	Control - Throttle
36	54-326	Decal - "Place Foot...."
44	3-168	Wheel - 8"
50	12-178	Plate - Mounting, R.R., L.F.
54	12-179	Plate - Mounting, L.R., R.F.