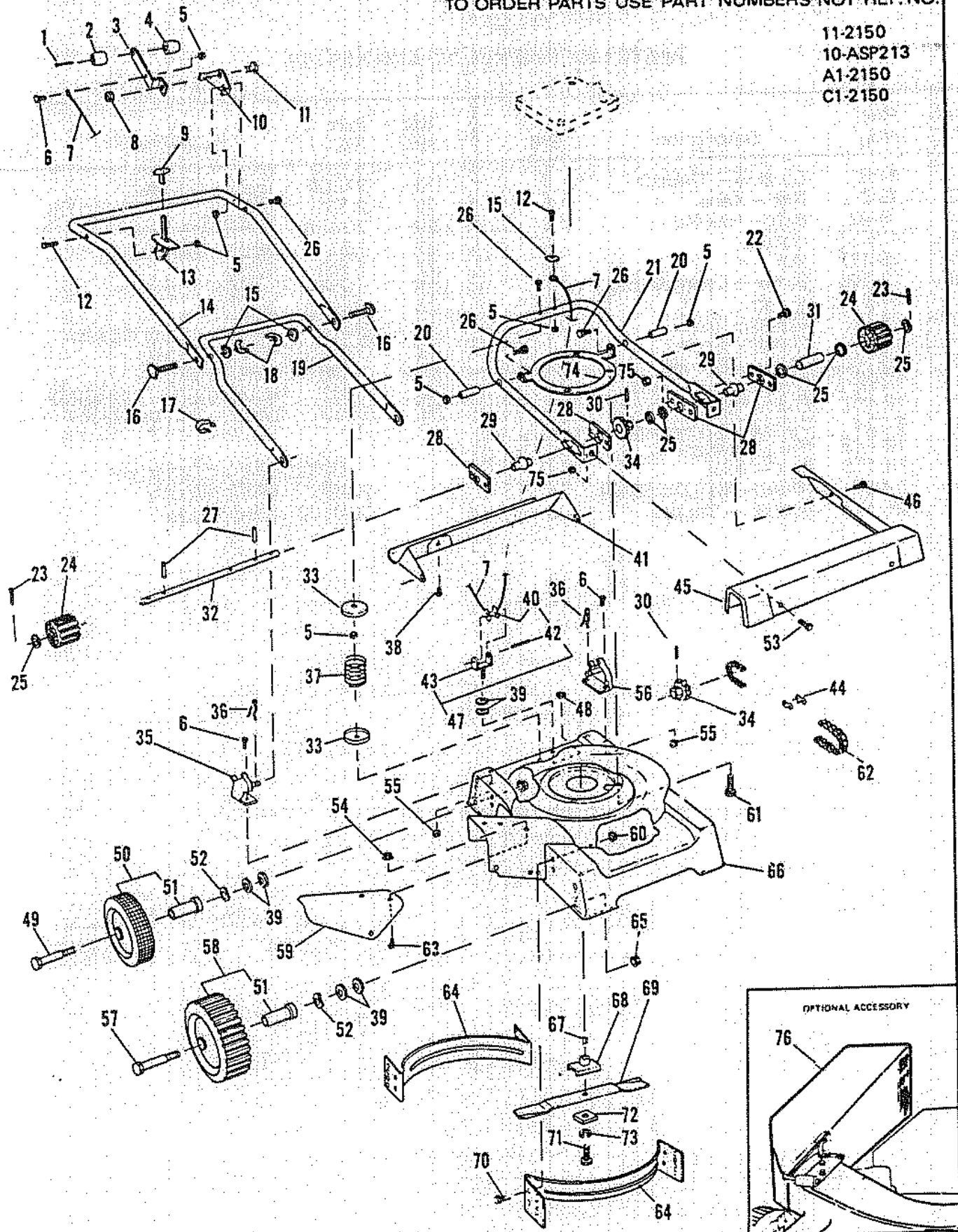


TO ORDER PARTS USE PART NUMBERS NOT REF. NO.

11-2150
10-ASP213
A1-2150
C1-2150



PARTS LIST FOR MODELS 11-2150, 10-ASP213, A1-2150, C1-2150

Ref. No.	Part No.	Description	Qty.	Ref. No.	Part No.	Description	Qty.
1	20-280	Screw - Shift Lever	1	40	105-82	Pulley - Control Cable	1
2	46-40	Knob - Plain	1	41	10-188	Guard - Trailing	1
3	108-68	Lever - Shift	1	42	28-110	Pin - Roll	1
4	46-41	Knob - Thread	1	43	6-56	Clevis	1
5	19-117	Nut	8	44	110-39	Master Link	1
6	20-145	Screw	5	45	10-196	Cover - Chain	1
7	47-544	Cable	1	46	20-287	Screw	2
8	19-111	Nut	1	47	105-83	Pulley Assy	1
9	46-36	Knob - Throttle Control	1	48	19-3	Nut	1
10	7-352	Bracket - Shift Lever	1	49	18-126	Bolt - Axle	2
11	18-60	Bolt - Shoulder	1	50	3-90	Wheel Assy	2
12	18-18	Bolt	2	51	11-117	Bearing - Wheel	4
13	8-87	Control - Throttle	1	52	21-113	Washer - Curved	4
14	4-175	Handle	1	53	18-3	Screw	2
15	21-191	Washer - Curved	3	54	19-1	Nut - Keps	3
16	18-131	Bolt - Curved Hd	2	55	19-143	Nut	4
17	17-2	Clamp - Cable	1	56	7-294	Bracket - Yoke, L.H.	1
18	19-183	Nut - Wing	2	57	20-74	Bolt - Axle	2
19	6-63	Yoke	1	58	3-106	Wheel Assy	2
20	26-115	Spacer - Pivot	2	59	130-20	Chute Extension	1
21	25-88	Tube - Pinion	1	60	19-147	Nut	4
22	18-1	Bolt - Bearing Plate	4	61	18-130	Bolt - Hex Hd	3
23	28-90	Pin - Cotter	2	62	110-46	Chain	1
24	101-84	Pinion	2	63	18-127	Bolt - Carriage	3
25	21-120	Washer	6	64	22-74	Baffle	2
26	18-42	Bolt	5	65	19-146	Nut	4
27	28-23	Pin - Roll	2	66	2-186	Housing	1
28	12-165	Plate - Bearing	4	67	16-1	Key - Engine Shaft	1
29	11-145	Bearing	2	68	15-21	Adapter - Blade	1
30	28-50	Pin - Roll	2	69	1-110	Blade	1
31	26-107	Spacer - Pinion, L.H. (Drive Side)	1	70	20-240	Screw	4
32	102-137	Shaft	1	71	18-36	Bolt	1
33	80-11	Cup - Spring	2	72	21-18	Spacer - Blade	1
34	135-24	Sprocket	2	73	26-97	Washer - Lock	1
35	7-295	Bracket - Yoke, R.H.	1	74	26-109	Spacer - Engine	1
36	17-107	Clip - Yoke	2	75	19-2	Nut - Keps	6
37	76-107	Spring	1				
38	124-6	Button - Drag Plate	2				
39	21-33	Washer	8				
				76	30-0100	OPTIONAL ACCESSORY Grass Catcher (Does not fit 10-ASP213)	