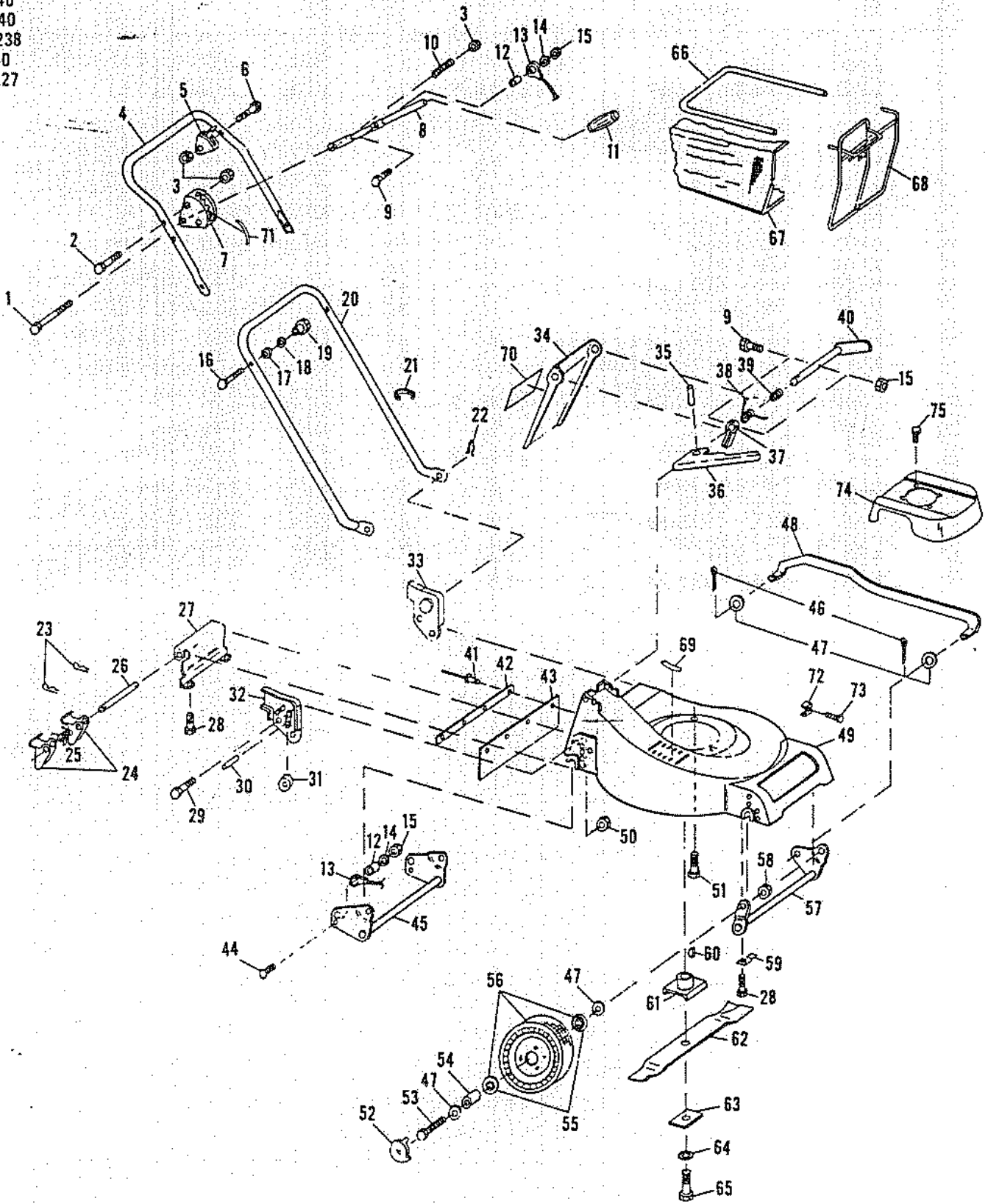


AO-2240
BO-2240
CO-2240
HO-2240
K10-2238
10-2240
14RB227



PARTS LIST FOR MODELS AO-2240, BO-2240, CO-2240, HO-2240, K10-2238, 10-2240 & 14RB227

Ref. No.	Part No.	Description	Ref. No.	Part No.	Description
1	18-44	Bolt - 1/4-20 x 1 Hex	40	82-157AS	Rod Assy. - Door
2	18-42	Bolt - 1/4-20 x 1-1/4 Hex	41	62-44	Rivet - Flange
3	19-117	Nut - 1/4-20	42	112-53	Strap - Trail Guard
4	4-208	Handle	43	10-223	Trail Guard
5	8-110	Control - Throttle	44	20-317	Bolt - 10-24 x 3/4 Carriage
6	18-18	Bolt - 1/4-20 x 1-1/2 Hex	45	65-72AS	Rear Axle Assy.
7	7-417AS	Bracket Assy. - Height Adj.	46	28-16	Pin - Cotter 3/32 x 3/4
8	108-82	Lever - Height Adj.	47	21-33	Washer - 3/8 Flat
9	20-327	Screw - 10-24 x 7/8	48	134-15	Link - Wheel Adj.
10	76-70	Spring	49	2-230	Housing - Blade
11	5-19	Grip - 3/8 Black	50	19-146	Nut - 3/8-16 Flange
12	26-143	Spacer - No. 10 ID x 5/16	51	20-321	Bolt - 3/8-16 x 1-1/8 Thd Former
13	47-577	Cable	52	89-34	Hub Cap
14	21-221	Washer	53	20-313	Bolt - Hex Hd. 3/8-16 x 2-1/4
15	19-141	Nut - 10-24	54	26-147	Spacer - Wheel
16	18-131	Bolt - 5/16-18 x 2 Curved	55	11-5	Bearing - Ball, Wheel
17	21-191	Washer - 5/16 Curved	56	3-164AS	Wheel Assy. - 8"
18	21-197	Washer - 5/16	57	65-71AS	Front Axle Assy.
19	46-44	Knob - 5/16-18	58	19-111	Nut - 3/8-16 Jam
20	6-72	Yoke	59	17-146	Clip - Axle
21	17-2	Clip - Throttle 7/8	60	16-1	Key - Woodruff 5/32
22	17-107	Clip - Hairpin	61	15-21AS	Blade Adapter Assy.
23	28-124	Hairpin	62	1-111	Blade - 22" Offset
24	103-30	Latch - Door	63	26-97	Spacer - Blade Adapter
25	76-129	Spring - Door Latch	64	21-18	Washer - 3/8 Lock
26	82-159	Rod - Door Latch	65	18-36	Bolt - 3/8-24 x 1 Hex
27	7-423	Bracket - Chute	66	25-101	Tube - Bag
28	20-277	Screw - 10-24 x 5/8 Thd Former	67	30-0450	Bag
29	20-67	Bolt - 3/8-16 x 1 Hex Black	68	99-63AS	Frame Assy.
30	28-110	Pin - 7/32 x 3/4 Roll	69	54-400	Decal - "Place Foot Here...."
31	105-82	Pulley - Control Cable	70	54-418	Decal - "Warning...."
32	7-420AS	Right Yoke Bracket Assy.	71	54-406	Decal - "Cutting Height"
33	7-422AS	Left Yoke Bracket Assy.	72	17-80	Clamp - Throttle Casing
34	154-6AS	Door - Chute	73	20-195	Screw - 10-32 x 3/4 Thd Cut
35	28-50	Pin - Roll 3/16 x 1	*74	130-33	Shroud
36	4-209	Handle - Door	*75	20-287	Screw - 8 x 3/8 Sheet Metal
37	79-181AS	Arm Assy. - Door			
38	76-128	Spring - Torsion			
39	76-127	Spring - Compression			

*Parts not included on K10-2238.