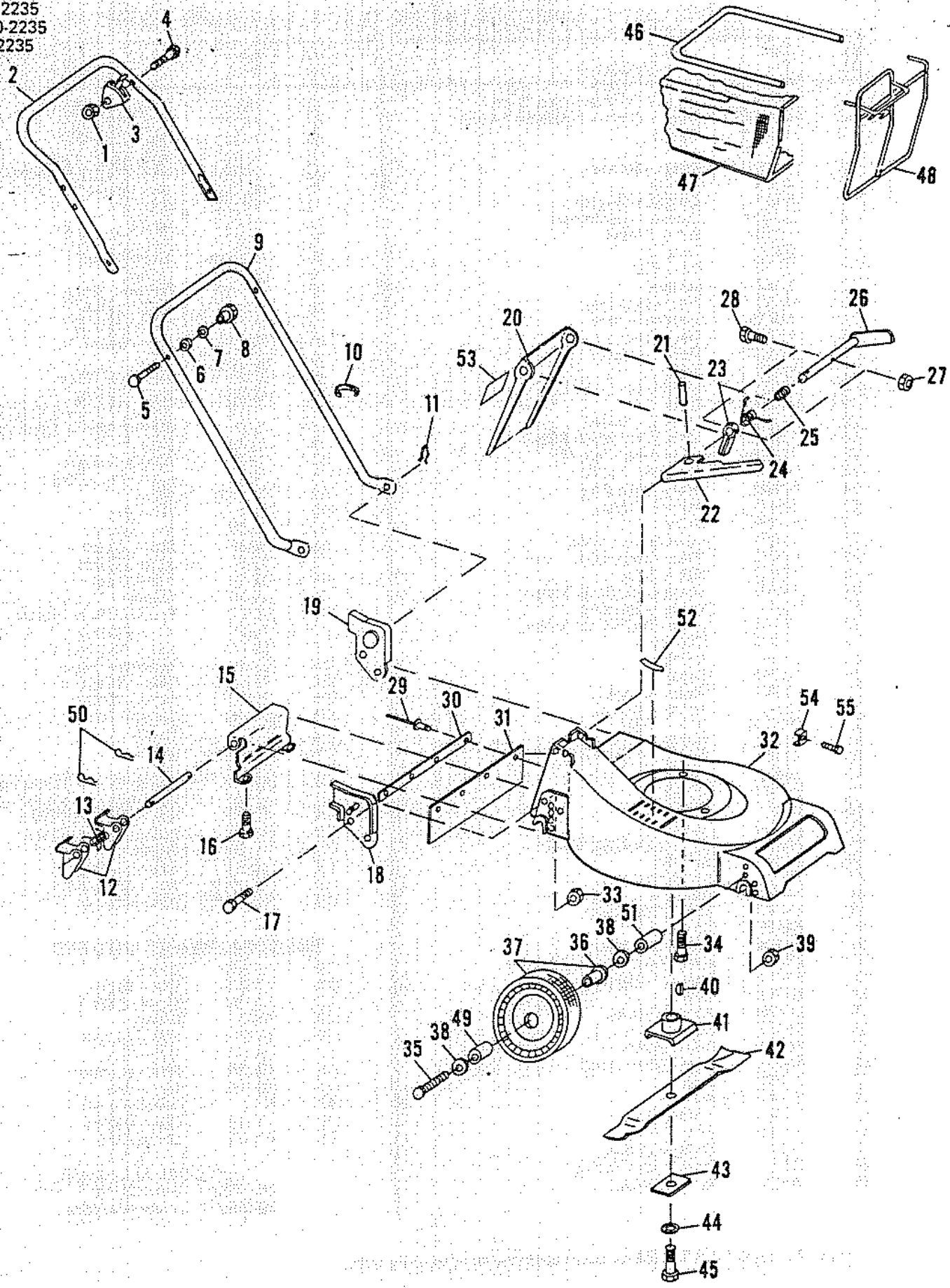


BO-2235  
CO-2235  
K10-2235  
10-2235



PARTS LIST FOR MODELS BO-2235, CO-2235, K10-2235 & 10-2235

Ref. No.	Part No.	Description	Ref. No.	Part No.	Description
1	19-117	Nut - 1/4-20	29	62-44	Pop Rivet - 3/16 x 11/16
2	4-208	Handle	30	112-53	Strap - Trail Guard
3	8-110	Control - Throttle	31	10-223	Trail Guard
4	18-18	Bolt - 1/4-20 x 1-1/2 Hex	32	2-230	Housing - Blade
5	18-131	Bolt - 5/16-18 x 2 Curved	33	19-146	Nut - 3/8-16 Flange
6	21-191	Washer - 5/16 Curved	34	20-321	Bolt - 3/8-16 x 1-1/8
7	21-197	Washer - 5/16	35	20-324	Bolt - Hex Hd. 3/8-16 x 3-1/4
8	46-44	Knob - 5/16-18	36	11-117	Bearing - Sleeve, Wheel
9	6-72	Yoke	37	3-9DAS	Wheel Assy. - 8"
10	17-2	Clip - Throttle 7/8	38	21-33	Washer - 3/8 Flat
11	17-107	Clip - Hairpin	39	19-147	Nut - Keps 3/8-16
12	103-30	Latch - Door	40	16-1	Key - Woodruff 5/32
13	76-129	Spring - Door Latch	41	15-21AS	Blade Adapter Assy.
14	82-159	Rod - Door Latch	42	1-111	Blade - 22" Offset
15	7-423	Bracket - Chute	43	26-97	Spacer - Blade Adapter
16	20-277	Screw - 10-24 x 5/8 Thd Former	44	21-18	Washer - 3/8 Lock
17	20-67	Bolt - 3/8-16 x 1 Hex Black	45	18-36	Bolt - 3/8-24 x 1 Hex
18	7-421AS	Right Yoke Bracket Assy.	46	25-101	Tube - Bag
19	7-422AS	Left Yoke Bracket Assy.	47	30-0450	Bag
20	154-6AS	Door - Chute	48	99-63AS	Frame Assy.
21	28-50	Pin - Roll 3/16 x 1	49	26-147	Spacer - Wheel
22	4-209	Handle - Door	50	28-124	Hairpin
23	79-181AS	Arm Assy. - Door	51	26-144	Spacer - Wheel
24	76-128	Spring - Torsion	52	54-400	Decal - "Place Foot Here...."
25	76-127	Spring - Compression	53	54-418	Decal - "Warning...."
26	82-157AS	Rod Assy. - Door	54	17-80	Clamp - Throttle Casing
27	19-141	Nut - 10-24	55	20-195	Screw - 10-32 x 3/4 Thd Cut
28	20-327	Screw - 10-24 x 7/8			