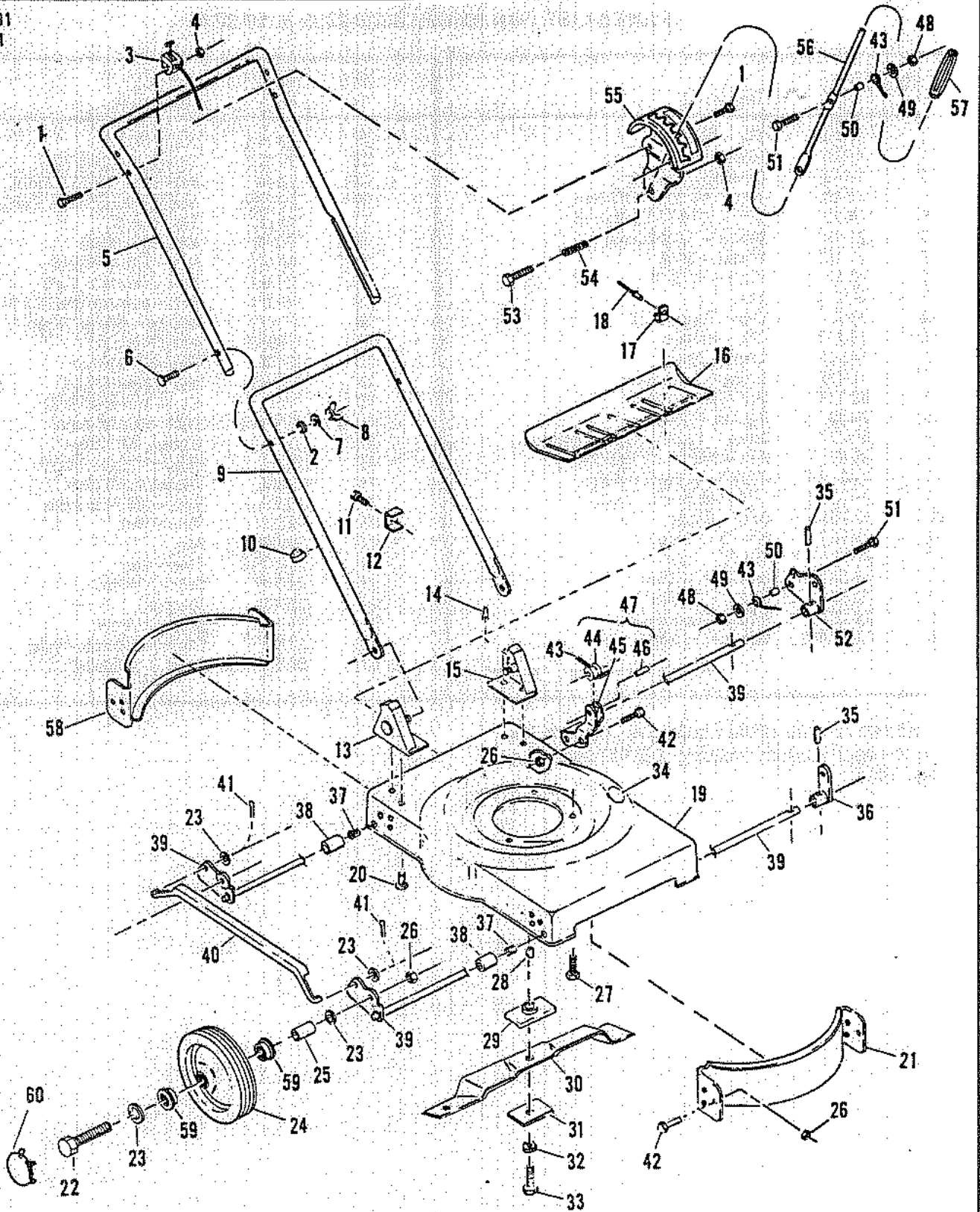


GM-2191
10-2191
50541



PARTS LIST FOR MODELS GM-2191, 10-2191 & 50541

Ref. No.	Part No.	Description	Ref. No.	Part No.	Description
1	18-42	Bolt - 1/4-20 x 1-1/4	31	26-97	Spacer - Adapter
2	21-191	Washer - Curved	32	21-18	Washer - Blade
3	8-91	Control - Throttle	33	18-36	Bolt - Blade
4	19-117	Nut - Hex 1/4-20 Locking	34	54-326	Decal - "Place Foot...."
5	4-233	Handle - Folding	35	28-129	Pin - Roll 5/32 x 3/4
6	18-131	Bolt - Handle	36	79-186	Arm - Front, Left
7	21-197	Washer - Lock	37	11-175	Bushing - Axle
8	19-183	Nut - Wing	38	26-151	Spacer - Axle
9	6-62	Yoke	39	65-76	Axle Weldment
10	17-2	Clamp - Cable	40	134-16	Link - Wheel Adj.
11	20-195	Screw - Casing	41	28-16	Pin - Cotter 3/32 x 3/4
12	17-80	Clamp - Casing	42	20-146	Screw - 3/8-16 x 1/2
13	7-365	Bracket - Yoke, R.H.	43	47-583	Cable - Height Adj.
14	17-107	Clip - Yoke	44	105-82	Pulley - Cable
15	7-364	Bracket - Yoke, L.H.	45	43-392	Support Pulley Assembly
16	10-234	Trailguard	46	28-110	Pin - Roll
17	17-143	Clip	47	105-109	Clevis Assembly
18	62-34	Rivet	48	19-141	Nut - Lock 10-24
19	2-233	Housing	49	21-221	Washer
20	20-186	Bolt - 1/4-20 x 1/2	50	26-143	Spacer - No. 10 I.D. x 5/16
21	22-147	Baffle	51	20-317	Bolt - 10-24 x 3/4 Carriage
22	20-320	Bolt - Wheel	52	79-187	Arm Weldment
23	21-33	Washer - 3/8 Flat	53	18-44	Bolt - 1/4-20 x 1-3/4
24	3-164	Wheel - 8"	54	76-70	Spring
25	26-147	Spacer - Wheel	55	7-437	Bracket Assembly
26	19-111	Nut - 3/8-16 Jam	56	108-82	Lever - Height Adj.
27	20-156	Bolt - Engine	57	5-19	Grip - 3/8 Black
28	16-1	Key	58	22-152	Baffle
29	15-36	Adapter - Blade	59	11-5	Bearing - Ball
30	1-139	Blade - Mulcher	60	89-34	Hub Cap