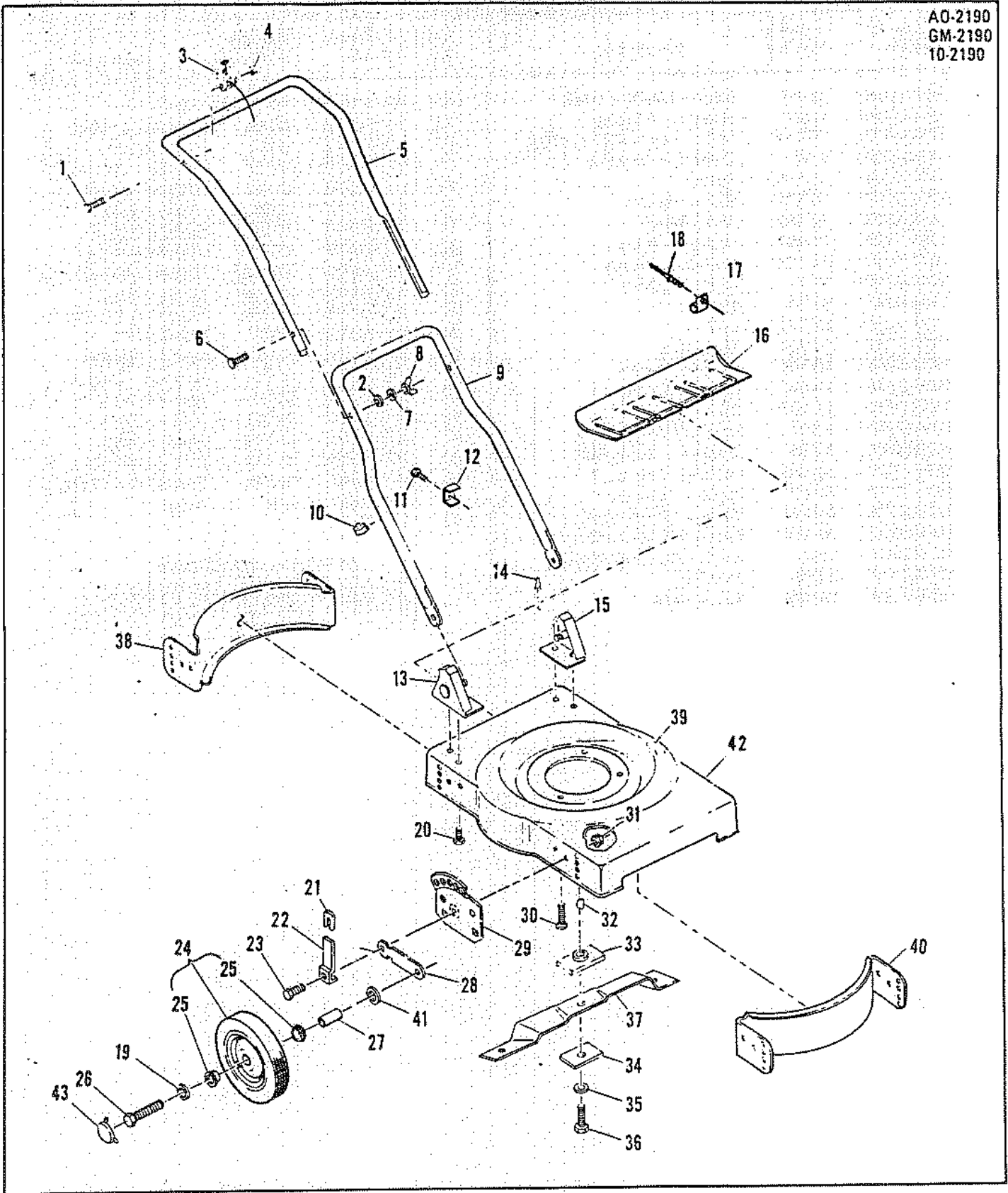


AO-2190
GM-2190
10-2190



PARTS LIST FOR MODELS AO-2190, GM-2190 & 10-2190

Ref. No.	Part No.	Description	Ref. No.	Part No.	Description
1	18-18	Bolt - Throttle	23	18-135	Bolt - Shoulder Q.W.A.
2	21-191	Washer - Curved	24	3-164	Wheel Assembly w/Bearing 8"
3	8-91	Control - Throttle	25	11-5	Bearing - Wheel
4	19-117	Nut - Throttle	26	20-320	Bolt - Axle
5	4-174	Handle - Folding	27	26-147	Spacer - Wheel
6	18-131	Bolt - Handle	28	79-121	Arm - Q.W.A.
7	21-197	Washer	29	12-170	Plate - Wheel Adj.
8	19-183	Nut - Wing	30	20-156	Screw - Engine
9	6-62	Yoke	31	19-147	Nut - Baffle
10	17-2	Clamp - Throttle	32	16-1	Key - Engine Shaft
11	20-195	Screw - Casing	33	15-36	Blade Adapter Assembly
12	17-80	Clamp - Casing	34	26-97	Spacer - Blade Adapter
13	7-365	Bracket Assembly - R.H.	35	21-18	Washer - Blade
14	17-107	Clip - Hairpin	36	18-36	Bolt - Blade
15	7-364	Bracket Assembly - L.H.	37	1-139	Blade
16	10-234	Trailguard	38	22-151	Baffle - Rear
17	17-143	Clip	39	54-326	Decal - "Place Foot Here...."
18	62-34	Pop Rivet	40	22-146	Baffle - Front
19	21-33	Washer - 3/8 Flat	41	21-113	Washer - Cupped
20	20-305	Bolt - 1/4-20 x 5/8	42	2-232	Housing
21	137-9	Tip - Q.W.A.	43	89-34	Hub Cap
22	76-71	Spring - Q.W.A.			