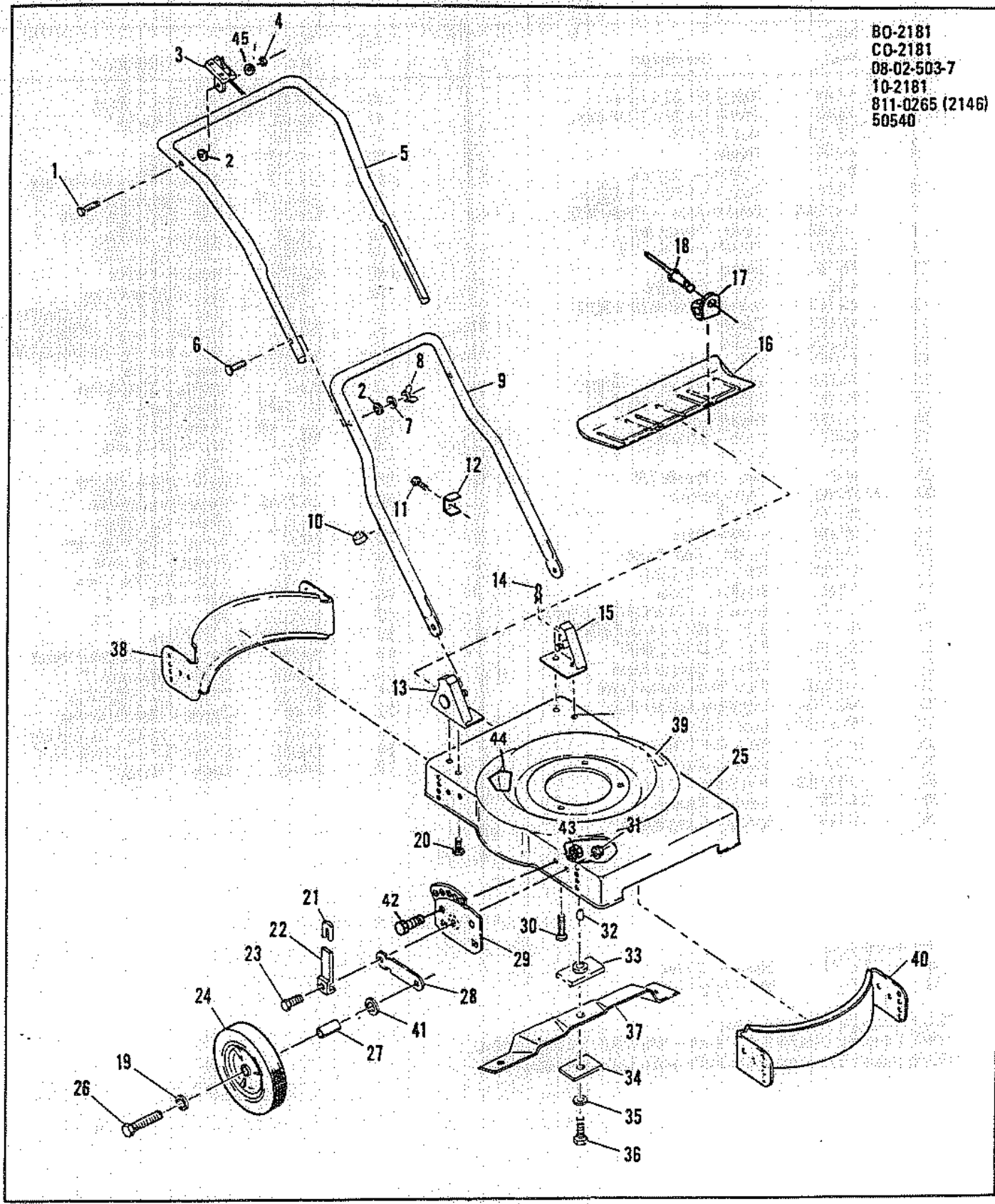


BO-2181
CO-2181
08-02-503-7
10-2181
811-0265 (2146)
50540



**PARTS LIST FOR MODELS BO-2181, CO-2181, G8-02-503-7,
10-2181, 811-0265 (2146), 811-0265A (2146) & 50540**

Ref. No.	JCPenney Part No.	Supplier Part No.	Description	Ref. No.	JCPenney Part No.	Supplier Part No.	Description
1	1093-4859	18-18	Bolt - 1/4-20 x 1-1/2	22	1093-0162	76-71	Spring - Q.W.A.
	1093-0956	18-44	Bolt - 1/4-20 x 1-3/4	23	1093-0154	18-135	Bolt - Shoulder
2	1072-7089	21-191	Washer - Curved	24	1093-0238	3-174	Wheel - 7" (811-0265) 1978 (White)
3	1076-0064	8-90	Control - Throttle		1166-1493	3-220	Wheel - 8" (White) Rib Tread
	1125-4471	8-115	Control - Throttle (811-0265) 1979		1166-5908	3-217	Wheel - 8" (811-0265, 1979 & Up)
	1124-6949	8-116	Control - Throttle (811-0265) 1980 & 1981	25	1093-4545	2-232	Housing
4	1066-3565	19-117	Nut - Hex 1/4-20 Locking	26	**1086-5996	20-320	Bolt - Wheel
5	1093-0246	4-224	Handle - Folding (811-0265)	27	**1072-7402	26-146	Spacer - Wheel
		††4-174	Handle - Folding	28	1093-0188	79-121	Arm - Q.W.A.
6	1086-5889	18-131	Bolt - Handle, Curved 2"	29	†1093-0196	12-17C	Plate - Q.W.A.
		20-376	Bolt - Handle, Curved 2 1/4"	30	1076-0148	20-156	Bolt - Engine
7	1086-5897	21-197	Washer - Lock	31	1072-7113	19-147	Nut - 3/8-16 Keps
8	1066-2971	19-183	Nut - Wing	32	1066-3706	16-1	Key
9	1086-5905	6-76	Yoke (811-0265)	33	1086-6010	15-36	Adapter - Blade
	1093-4834	††6-62	Yoke	34	1076-0163	26-97	Spacer - Adapter
10	1086-5913	17-2	Clamp - Cable	35	1066-3490	21-18	Washer - Blade
11	1076-0080	20-195	Screw - Casing	36	1076-0205	18-36	Bolt - Blade
12	1076-0171	17-80	Clamp - Casing	37	1093-5211	1-139	Blade - Mulcher
13	1086-5921	7-365	Bracket - Yoke, R.H. —	38	1093-4883	22-152	Baffle - Rear
14	1086-5939	*17-107	Clip - Yoke	39	1076-7218	54-411	Decal - "Place Foot" (811-0265)
15	1086-5947	7-364	Bracket - Yoke, L.H.			54-326	Decal - "Place Foot"
	1086-5954	10-234	Trailguard	40	1086-5988	22-147	Baffle - Front
	1076-0288	17-143	Clip	41	1066-3474	21-113	Washer - Curved
	1076-0221	62-34	Rivet	42	1093-0576	18-110	Bolt - 1/4-20 x 1/2
16	1076-0221	62-34	Rivet	43	1066-3607	19-2	Nut - 1/4-20 Keps
19	1072-5216	21-33	Washer - 3/8 Flat	44	1138-1084	54-542	Decal - "Danger"
20	1086-5970	20-186	Bolt - 1/4-20 x 1/2	45	1066-3508	21-13	Washer - Flat
21	1093-0170	137-9	Cap - Q.W.A., White	46	1138-2546	20-334	Screw (811-0265A)
	1123-2469	137-16	Cap - Q.W.A., Red	47	1138-1134	59-8	Deflector - Muffler (811-0265A)

*Discontinued in 1980, not needed.

**Use 20-357 (1154-9367) shoulder bolt.

††Straight handles were used starting in 1982.
Order 4-224 (1093-0246) for top and
6-76 (1086-5905) for bottom.

† Five Position Plate

1155-1827	12-204AS	Plate - Q.W.A., RF, LR
1155-1835	12-205AS	Plate - Q.W.A., LF, RR