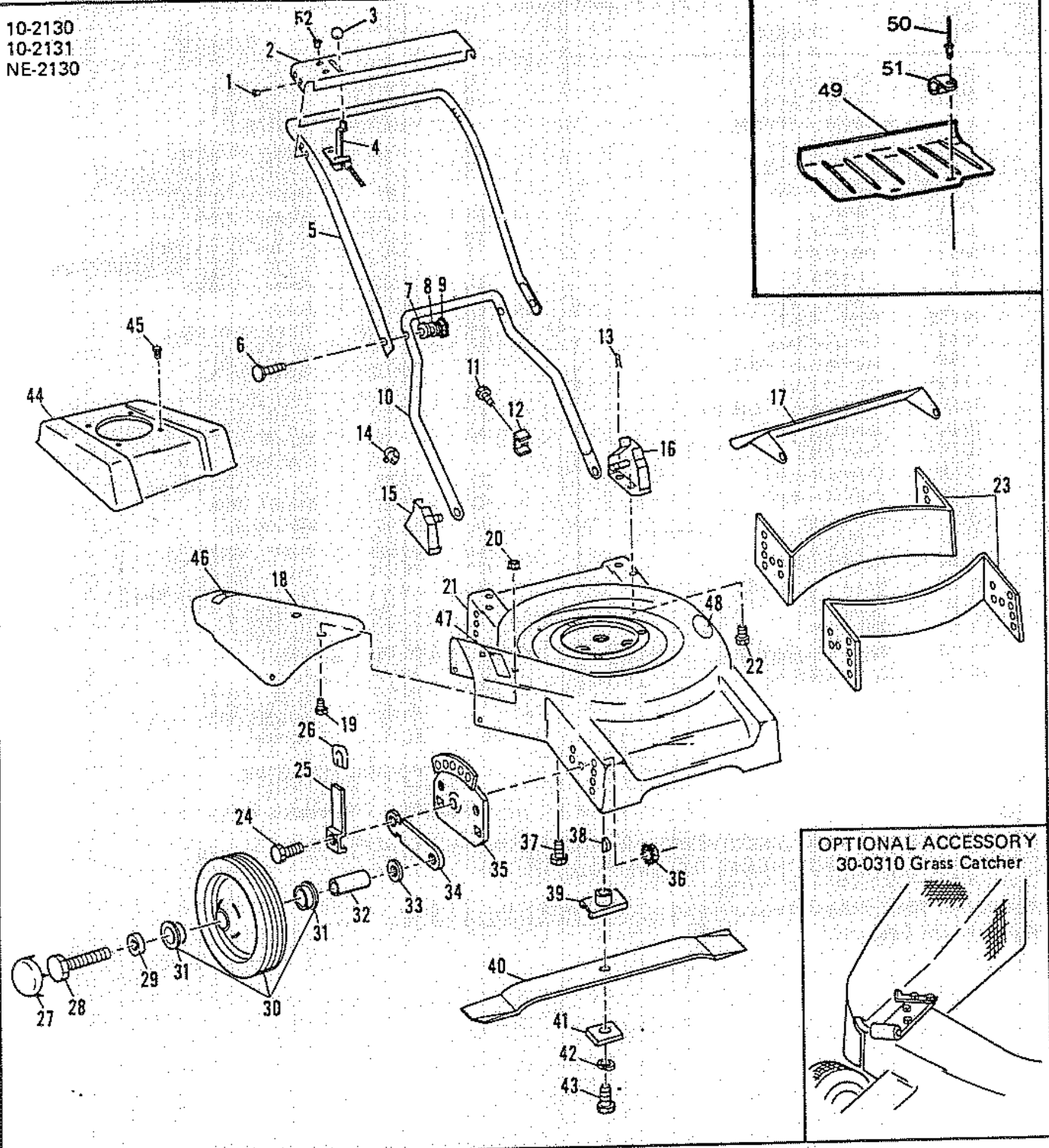


10-2130
10-2131
NE-2130



PARTS LIST FOR MODELS 10-2130 & NE-2130

Ref. No.	Part No.	Description	Ref. No.	Part No.	Description
1	62-39	Rivet - 1/4" Alum. Pop	28	*20-320	Bolt - Axle, Front
2	43-331	Panel - Control		*20-313	Bolt - Axle, Rear
3	46-43	Knob - Control	29	21-33	Washer - 3/8 Flat
4	8-57	Control - Throttle	30	3-164	Wheel Assy. w/Bearing
5	4-182	Handle	31	11-5	Bearing - Ball
6	18-131	Bolt - Curved Hd.	32	26-147	Spacer - Wheel, Front
7	21-191	Washer - Curved		26-148	Spacer - Wheel, Rear
8	21-197	Washer	33	21-113	Washer - Cup
9	46-44	Knob	34	79-121	Arm - Q.W.A.
10	6-62	Yoke	35	12-170	Plate - Q.W.A.
11	20-195	Screw - Casing Clamp	36	19-147	Nut - Lock
12	17-80	Clamp - Casing	37	20-156	Screw - Hex Hd. (Engine)
13	17-107	Clip - Yoke	38	16-1	Key - Engine Shaft
14	17-2	Clamp - Cable	39	15-21	Adapter - Blade
15	7-365	Bracket Assy. - Yoke, R.H.	40	1-110	Blade
16	7-364	Bracket Assy. - Yoke, L.H.	41	26-97	Spacer - Blade Adapter
17	10-187	Guard - Trailing	42	21-18	Washer - Lock
18	130-20	Chute Extension	43	18-36	Bolt - Hex Hd.
19	18-127	Bolt - Carriage	44	130-8	Shroud
20	19-1	Nut - Keps	45	20-287	Screw
21	2-130	Housing	46	54-390	Decal - "Caution"
22	20-305	Screw	47	54-231	Decal - "Danger...."
23	22-74	Baffle	48	54-326	Decal - "Place Foot Here...."
24	18-135	Bolt - Shoulder	**49	10-234	Guard
25	76-71	Spring - Q.W.A. Lever	**50	62-34	Rivet
26	137-9	Tip - Q.W.A. Spring	**51	17-143	Clip
27	89-34	Hub Cap	52	62-41	Rivet

OPTIONAL ACCESSORY

- 30-0310 Grass Catcher
- 30-0360 Replacement Bag for 30-0310

*For models prior to 1977, order wheel bolt 18-32 for the front, and 18-125 for the rear.
 **See Ref. Nos. 49, 50 and 51 for model 10-2131