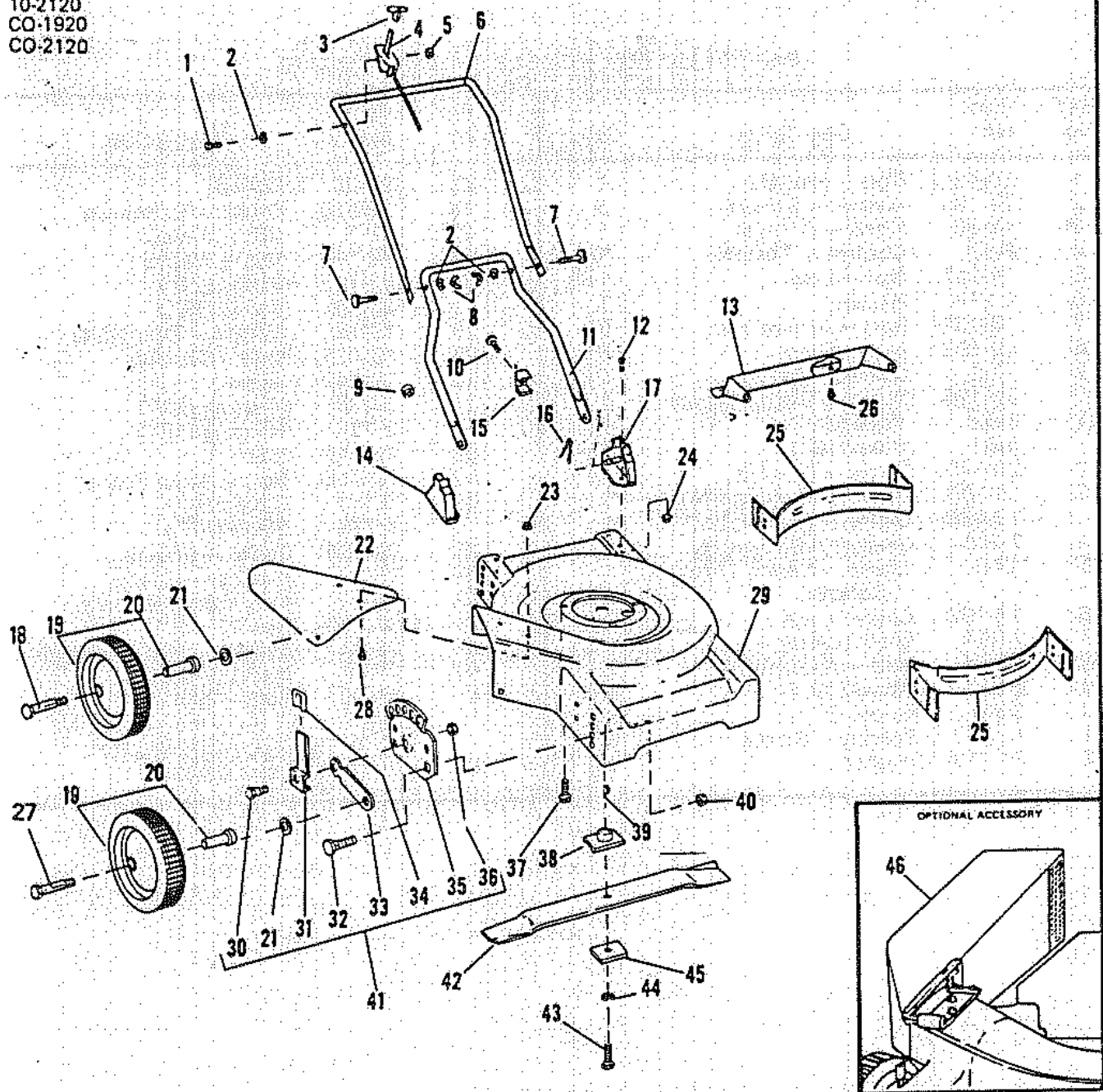


10:1920  
10:2120  
CO:1920  
CO:2120

WHEN ORDERING PARTS, USE  
PART NO., NOT REFERENCE NO.\*



PARTS LIST FOR MODELS 10-1920, 10-2120, CO-1920, CO-2120

Ref. No.	Part No.	Description	Qty.	Ref. No.	Part No.	Description	Qty.
1	18-44	Bolt - Hex Hd	1	25	22-74	Baffle 21"	1
2	21-191	Washer - Curved	3		22-73	Baffle 19"	1
3	46-36	Knob - Control	1	26	124-6	Button - Drag Plate	2
4	8-87	Control - Throttle	1	27	18-32	Bolt - Axle, Front	2
5	19-117	Nut - Lock	1	28	18-127	Bolt - Carriage	3
6	4-174	Handle	1	29	2-130	Housing 21"	1
7	18-131	Bolt - Curved Hd	2		2-131	Housing 19"	1
8	19-183	Nut - Wing	2	30	18-71	Bolt - Shoulder	4
9	17-2	Clamp - Cable	1	31	76-71	Spring - Q.W.A. Lever	4
10	20-195	Screw - Casing Clamp	1	32	20-240	Screw - Hex Hd	8
11	6-62	Yoke 21"	1	33	79-121	Arm - Q.W.A.	4
	6-61	Yoke 19"	1	34	137-9	Tip - Q.W.A. Spring	4
12	20-145	Screw - Hex Hd	4	35	12-145	Plate - Q.W.A.	4
13	10-189	Guard - Trailing 19"	1	36	19-111	Nut - Hex Jam	4
	10-187	Guard - Trailing 21"	1	37	20-156	Screw - Hex Hd	3
14	7-295	Bracket Assy - R.H.	1	38	15-21	Adapter - Blade	1
15	17-80	Clamp - Casing, Throttle Control	1	39	16-1	Key - Engine Shaft	1
16	17-107	Clip - Yoke	2	40	19-147	Nut - Lock	8
17	7-294	Bracket Assy - L.H.	1	41	7-240	Bracket Assy - R.F., L.R.	2
18	18-125	Bolt - Axle, Rear	2		7-264	Bracket Assy - L.F., R.R.	2
19	3-90	Wheel Assy 21"	4	42	1-108	Blade 19"	1
	3-92	Wheel Assy 19"	4		1-110	Blade 21"	1
20	11-117	Bearing - Sleeve	4	43	18-36	Bolt - Hex Hd	1
21	21-113	Washer - Cup	4	44	21-18	Washer - Lock	1
22	130-20	Chute Extension	1	45	26-97	Spacer - Blade Adapter	1
23	19-1	Nut - Keps	3				
24	19-143	Nut - Washer	4				
						OPTIONAL ACCESSORY	
				46	30-0100	Grass Catcher	1