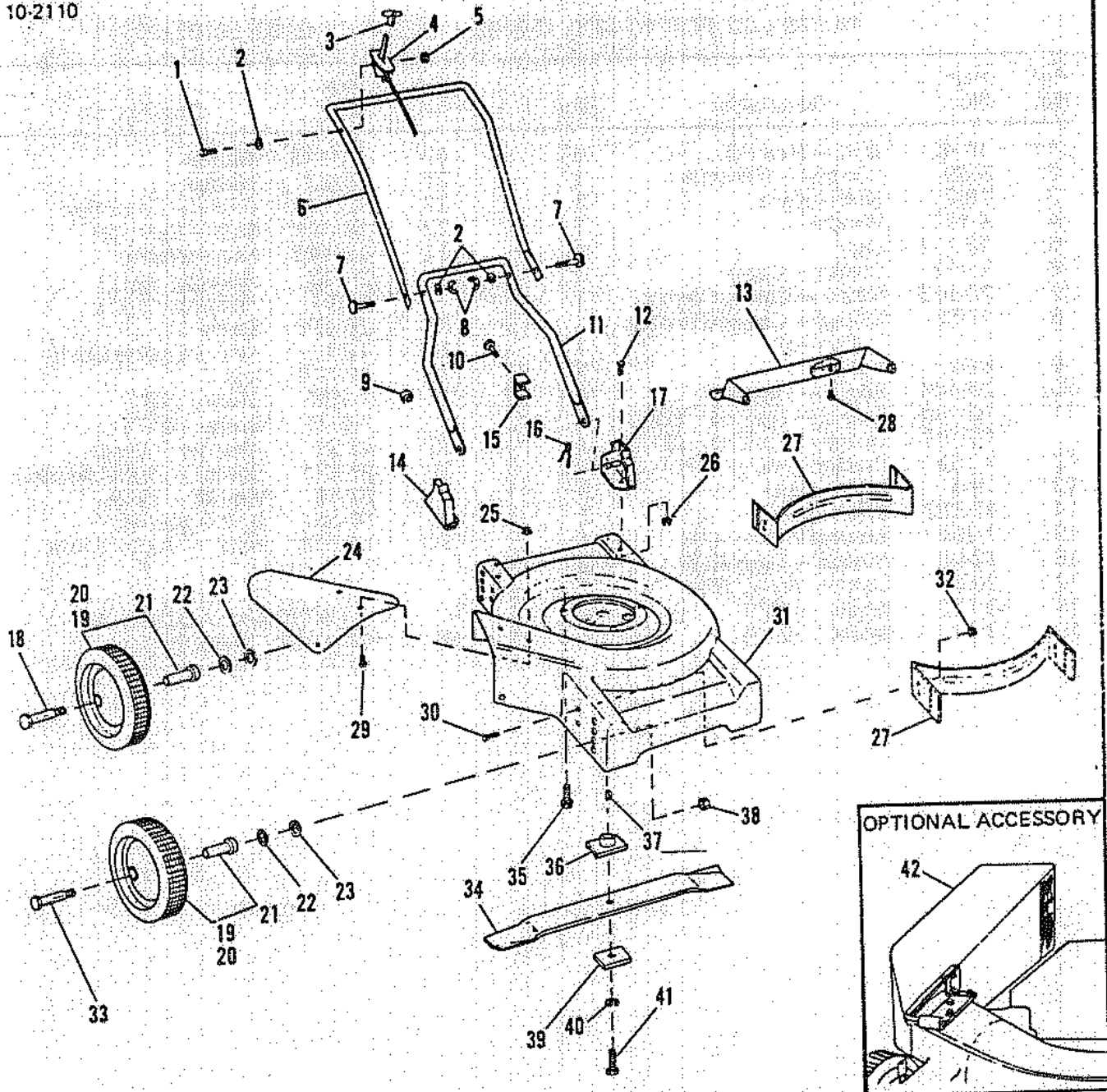


10-1910  
10-2110

WHEN ORDERING PARTS, USE  
PART NO., NOT REFERENCE NO.\*



PARTS LIST FOR MODELS 10-1910 & 10-2110

Ref. No.	Part No.	Description	Qty.	Ref. No.	Part No.	Description	Qty.
1	18-44	Bolt - Hex Hd	1	23	21-33	Washer	4
2	21-191	Washer - Curved	3	24	130-20	Chute - Extension	1
3	46-36	Knob - Control	1	25	19-1	Nut - Keps	3
4	8-87	Control - Throttle	1	26	19-143	Nut - Washer	4
5	19-117	Nut - Lock	1	27	22-74	Baffle (21")	2
6	4-174	Handle	1		22-73	Baffle (19")	2
7	18-131	Bolt - Curved Hd	2	28	124-6	Button - Drag Plate	2
8	19-183	Nut - Wing	2	29	18-127	Bolt - Carriage	3
9	17-2	Clamp - Cable	1	30	20-240	Screw	4
10	20-195	Screw - Casing Clamp	1	31	2-130	Housing (21")	1
11	6-62	Yoke (21")	1		2-131	Housing (19")	1
	6-61	Yoke (19")	1	32	19-147	Nut	4
12	20-145	Screw - Hex Hd	4	33	18-116	Bolt - Axle, Front	2
13	10-190	Guard - Trailing (19")	1	34	1-108	Blade (19")	1
	10-188	Guard - Trailing (21")	1		1-110	Blade (21")	1
14	7-295	Bracket Assy - R.H.	1	35	20-156	Screw - Engine	3
15	17-80	Clamp - Casing Throttle Control	1	36	15-21	Adapter - Blade	1
16	17-107	Clip - Yoke	2	37	16-1	Key - Engine Shaft	1
17	7-294	Bracket Assy - L.H.	1	38	19-146	Nut	4
18	20-74	Bolt - Axle, Rear	2	39	26-97	Spacer - Blade Adapter	1
19	3-87	Wheel (19")	4	40	21-18	Washer - Lock	1
20	3-92	Wheel (21")	4	41	18-36	Bolt - Hex Hd	1
21	11-117	Bearing - Sleeve	4				
22	21-113	Washer	4				
						OPTIONAL ACCESSORY	
				42	30-0100	Grass Catcher	