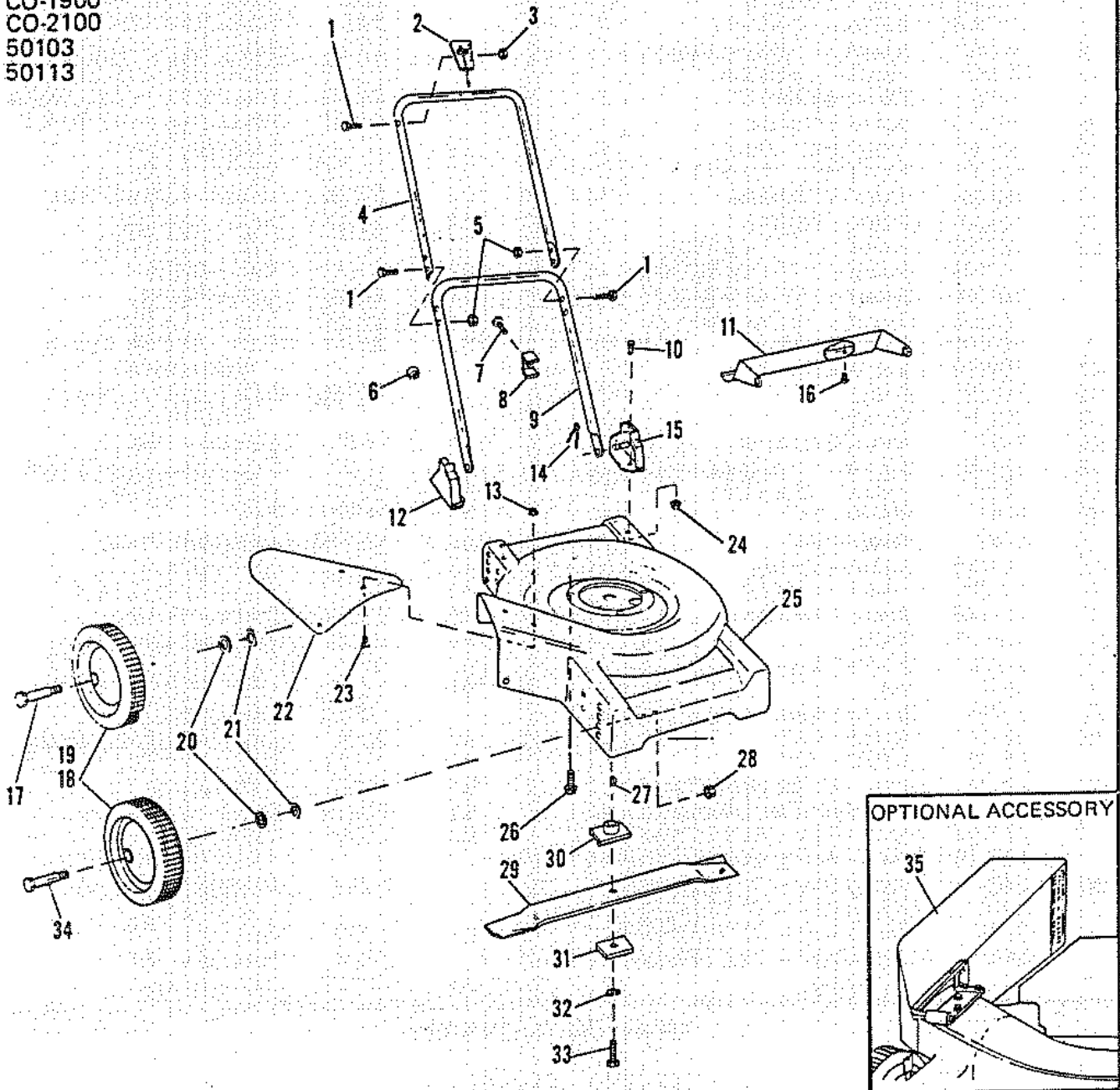


10-1900
10-2100
CO-1900
CO-2100
50103
50113

WHEN ORDERING PARTS, USE
PART NO., NOT REFERENCE NO.*



PARTS LIST FOR 10-1900, 10-2100, CO-1900, CO-2100, 50103, 50113

Ref. No.	Part No.	Description	Qty.	Ref. No.	Part No.	Description	Qty.
1	18-42	Bolt - Hex Hd	5	20	21-113	Washer	4
2	8-89	Control - Throttle	1	21	21-33	Washer	4
3	19-2	Nut - Keps	1	22	130-20	Chute - Extension	1
4	4-173	Handle	1	23	18-127	Bolt - Carriage	3
5	19-117	Nut	4	24	19-143	Nut - Washer	4
6	17-91	Clamp - Cable	1	25	2-130	Housing (21")	1
7	20-195	Screw - Casing Clamp	1		2-131	Housing (19")	1
8	17-80	Clamp - Casing Throttle Control	1	26	20-156	Screw	3
9	6-59	Yoke	1	27	16-1	Key - Engine Shaft	1
10	20-145	Screw - Hex Hd	4	28	19-146	Nut	4
11	10-190	Guard - Trailing (19")	1	29	1-108	Blade (19")	1
	10-188	Guard - Trailing (21")	1		1-110	Blade (21")	1
12	7-295	Bracket Assy - R.H.	1	30	15-21	Adapter - Blade	1
13	19-1	Nut - Keps	3	31	26-97	Spacer - Blade Adapter	1
14	17-107	Clip - Yoke	2	32	21-18	Washer - Lock	1
15	7-294	Bracket Assy - L.H.	1	33	18-36	Bolt - Hex Hd	1
16	124-6	Button - Drag Plate	2	34	18-116	Bolt - Axle, Front	2
17	20-74	Bolt - Axle, Rear	2				
18	3-133	Wheel (19")	4				
19	3-143	Wheel (21")	4				
				35		OPTIONAL ACCESSORY	
					30-0100	Grass Catcher	