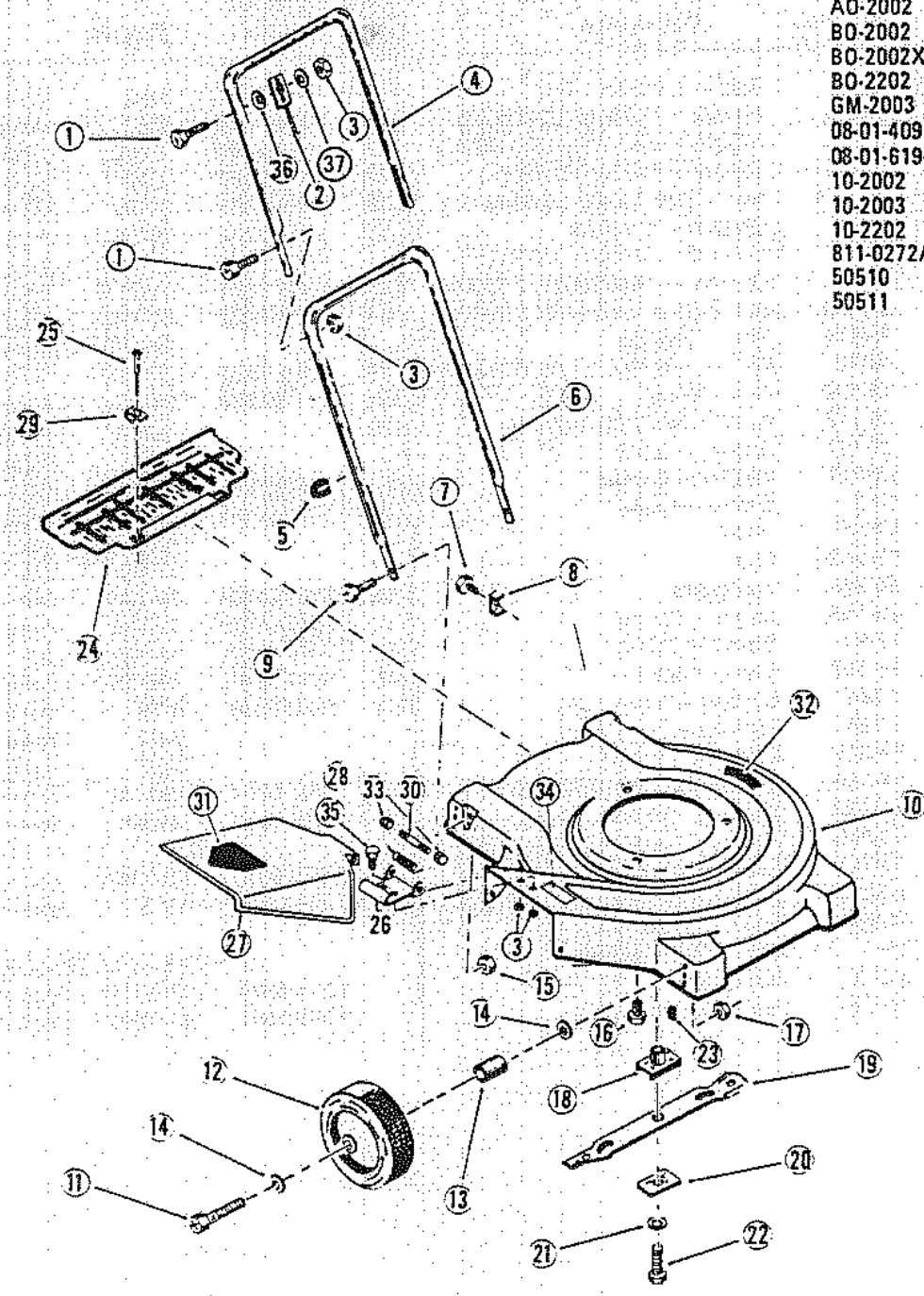


AQ-2002  
 BO-2002  
 BO-2002X  
 BO-2202  
 GM-2003  
 08-01-409-4  
 08-01-619-4  
 10-2002  
 10-2003  
 10-2202  
 811-0272A (3425)  
 50510  
 50511



PARTS LIST FOR 20" MODELS AO-2002, BO-2002, BO-2002X, GM-2003,  
08-01-409-4, 10-2002, 10-2003 & 50510

22" MODELS BO-2202, GM-2202, 08-01-619-4, 10-2202 & 50511

Ref. No.	Part No.	Description	Ref. No.	Part No.	Description
1	18-42	Bolt - Throttle	20	26-97	Spacer - Adapter
2	8-90	Control - Throttle	21	21-18	Washer - Blade
3	19-117	Nut	22	18-36	Bolt - Engine
4	4-178	Handle	23	16-1	Key
5	17-91	Clip	24	10-234	Guard - Trailing (22")
6	6-64	Yoke		10-240	Guard - Trailing (20")
7	20-195	Screw - Casing	25	62-34	Rivet
8	17-80	Clamp - Casing	26	7-473	Bracket - Deflector
9	18-66	Bolt - Shoulder	27	22-159	Deflector - Hinged
10	2-257	Housing - 20"	28	76-146	Spring - Deflector Return
	2-258	Housing - 22"	29	17-143	Clip
11	†20-313	Bolt - Axle	30	28-141	Pin - Deflector Hinge Pivot
12	**3-218	Wheel - 6" (Standard 20")	31	54-542	Decal - "Danger"
	**3-219	Wheel - 7" (Standard 22")	32	*54-326	Decal - "Place Foot Here..."
13	†**26-146	Spacer - Wheel	33	19-213	Nut - Acorn Push
14	21-33	Washer	34	54-387	Decal - "Caution"
15	19-119	Nut - Lock	35	21-13	Washer
16	20-156	Bolt - Engine	36	21-191	Washer - Curved
17	19-146	Nut - Axle			
18	15-21	Adapter - Blade			
19	1-109	Blade - 20"			
	1-111	Blade - 22"			

OPTIONAL ACCESSORY  
30-0215 Grass Catcher  
30-0265 Replacement Bag for 30-0215

\*54-489 Decal - 20" (50510)  
\*54-490 Decal - 22" (50511)

\*\*Models AO-2002, GM-2003 & GM-2202, use 3-223 wheel with 20-361 shoulder bolt.

Model 10-2003, use 3-200 wheels.

Models BO-2002X, 08-01-409-4 & 50510, use 3-219 wheels.

†Shoulder bolt 20-360 replaces 20-313 and 26-146 for plastic wheels.