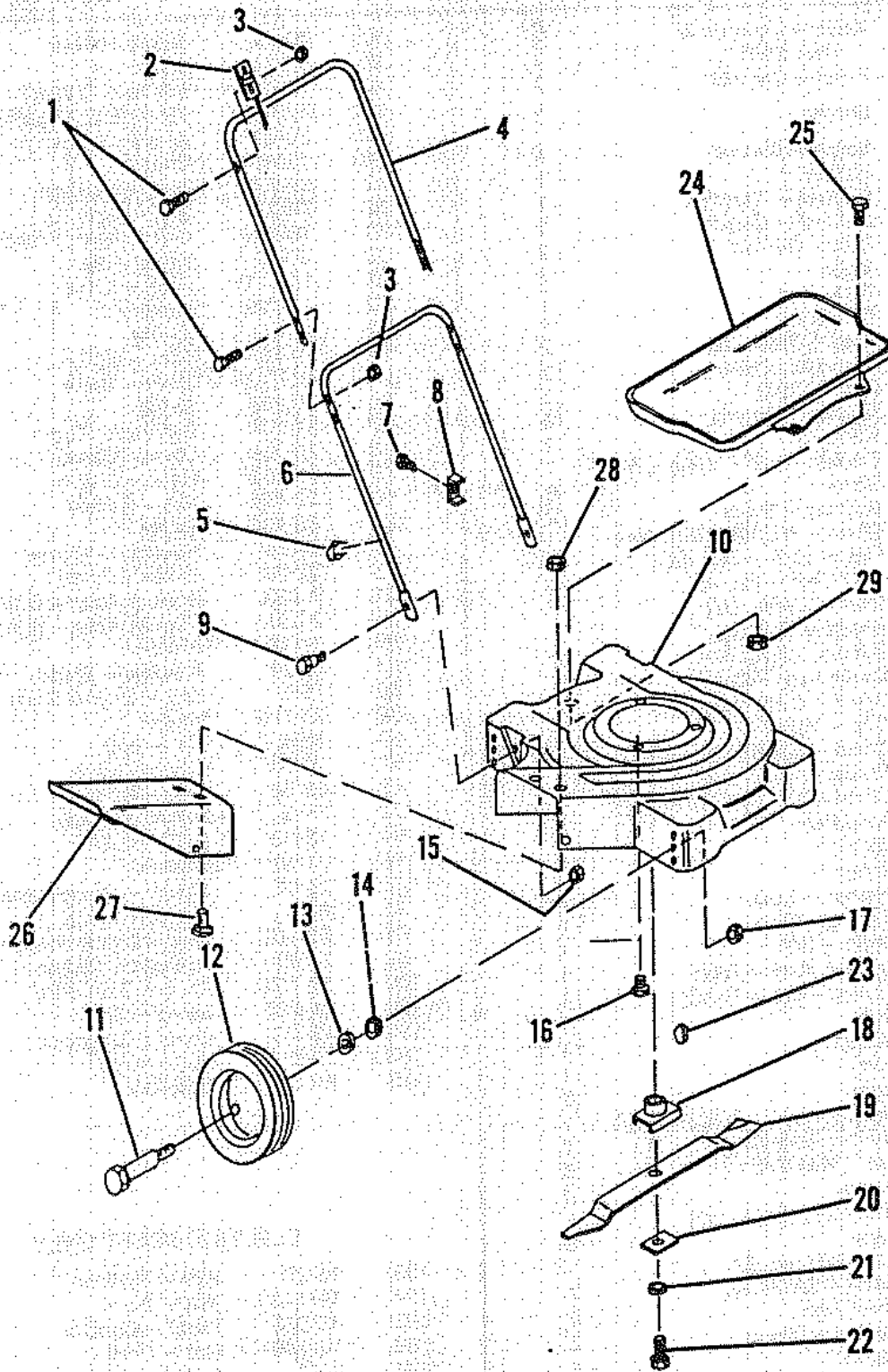


AO-2000
CO-2000
CO-2200
DO-2000
DO-2200
XLS204
XLS224
10-2000
10-2200
50000
50005
50270
50275



PARTS LIST FOR MODELS AO-2000, CO-2000, CO-2200, DO-2000, DO-2200,
XLS204, XLS224, 10-2000, 10-2200, 50000, 50005, 50270 & 50275

| Ref. No. | Part No. | Description | Ref. No. | Part No. | Description |
|----------|----------|--------------------|----------|----------|-------------------|
| 1 | 18-42 | Bolt | 17 | 19-146 | Nut - Axle |
| 2 | 8-90 | Control - Throttle | 18 | 15-21 | Adapter - Blade |
| 3 | 19-117 | Nut | 19 | 1-109 | Blade - 20" |
| 4 | 4-178* | Handle | | 1-111 | Blade - 22" |
| 5 | 17-91 | Clip | 20 | 26-97 | Spacer - Adapter |
| 6 | 6-64* | Yoke | 21 | 21-18 | Washer - Blade |
| 7 | 20-195 | Screw - Casing | 22 | 18-36 | Bolt - Engine |
| 8 | 17-80 | Clamp - Casing | 23 | 16-1 | Key |
| 9 | 20-84 | Bolt - Shoulder | 24 | 10-201 | Guard - Trailing |
| 10 | 2-198 | Housing - 20" | 25 | 20-282 | Bolt |
| | 2-199 | Housing - 22" | 26 | 130-26 | Extension - Chute |
| 11 | 18-116 | Bolt - Axle | 27 | 18-127 | Bolt - Carriage |
| 12 | 3-132 | Wheel - 6" 20" | 28 | 19-1 | Nut - Keps |
| | 3-133 | Wheel - 7" 22" | 29 | 19-141 | Nut |
| 13 | 21-113 | Washer - Wheel | | | |
| 14 | 21-33 | Washer | | | |
| 15 | 19-147 | Nut - Keps | | | |
| 16 | 20-156 | Bolt - Engine | | | |

OPTIONAL ACCESSORY
30-0200 Grass Catcher
30-0250 Replacement bag for 30-0200

*CO and DO models, use 4-181 and 6-65