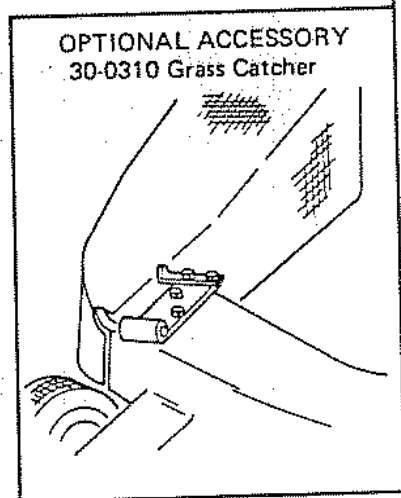
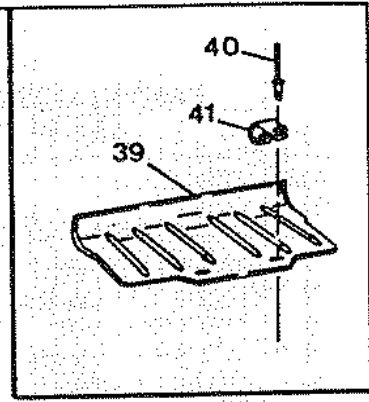
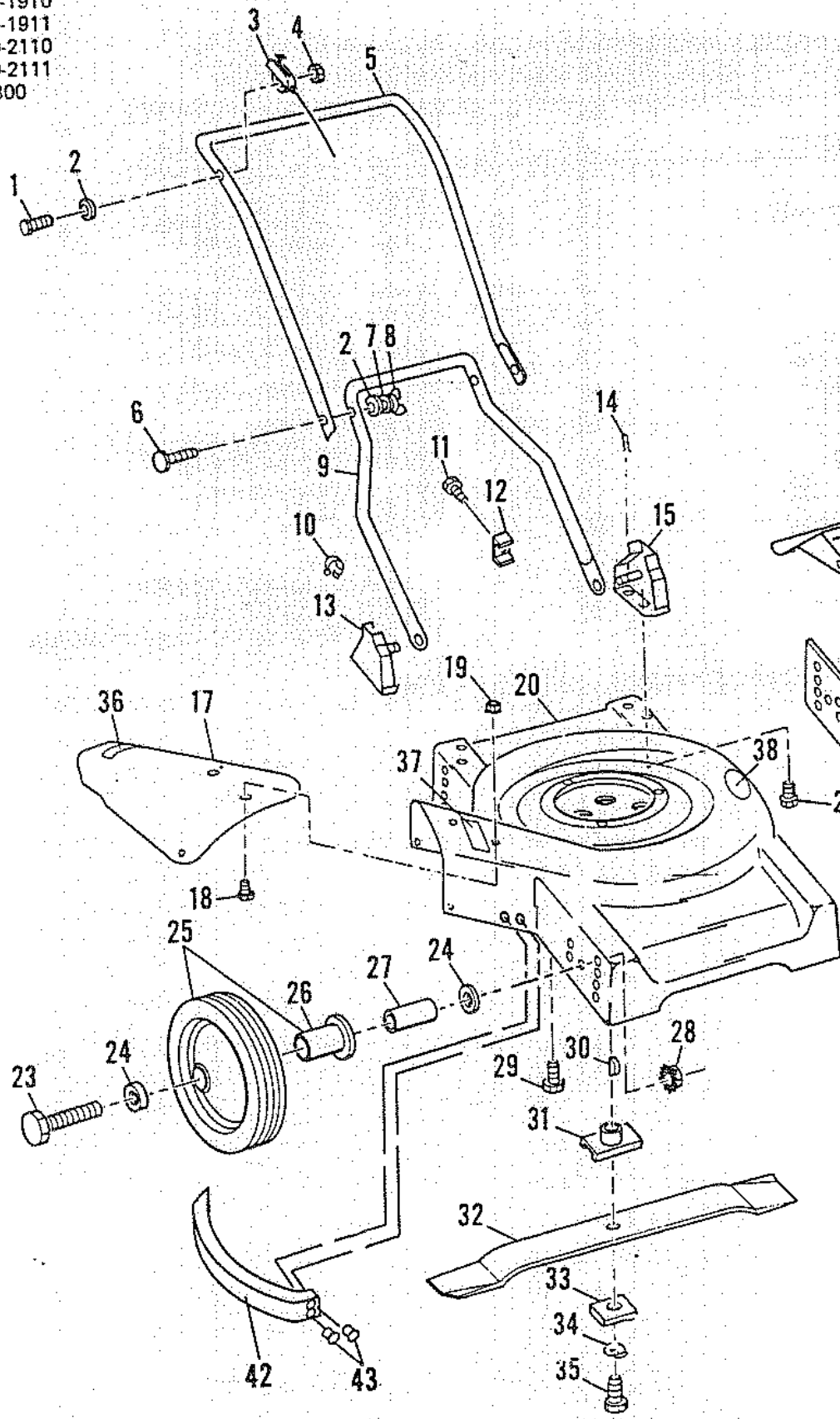


10-1910  
 10-1911  
 10-2110  
 10-2111  
 T800



PARTS LIST FOR MODELS 10-1910, 10-1911, 10-2110, 10-2111, EO-2110 & T800

Ref. No.	Part No.	Description	Ref. No.	Part No.	Description
1	18-44	Bolt - Throttle	23	**20-121	Bolt - 3/8-16 x 2-1/2
2	21-191	Washer - Curved	24	21-33	Washer - 3/8 Flat
3	8-91	Control - Throttle	25	*3-92	Wheel Assy w/Brg 7 1/2" (21")
4	19-117	Nut - Throttle		3-223	Wheel Assy w/Brg 7" (19")
5	††4-174	Handle - Folding	26	11-117	Bearing - Wheel
6	20-376	Bolt - Handle	27	**26-147	Spacer - Wheel, Front & Rear
7	21-197	Washer			
8	19-183	Nut - Wing	28	19-146	Nut - Baffle
9	††6-62	Yoke (21")	29	20-156	Screw - Engine
	††6-61	Yoke (19")	30	16-1	Key - Engine Shaft
10	17-2	Clamp - Throttle	31	15-21	Blade Adapter Assy.
11	20-195	Screw - Casing	32	1-110	Blade (21")
12	17-80	Clamp - Casing		1-108	Blade (19")
13	7-365	Bracket Assy. - R.H.	33	26-97	Spacer - Blade Adapter
14	††7-107	Clip - Hairpin	34	21-18	Washer - Blade
15	7-364	Bracket Assy. - L.H.	35	18-36	Bolt - Blade
16	10-188	Guard (21")	36	54-542	Decal - "Danger"
	10-190	Guard (19")	37	54-231	Decal - "Danger...."
17	130-20	Chute Extension	38	54-326	Decal - "Place Foot Here...."
18	18-127	Bolt - Carriage	39	10-240	Guard (21")
19	19-1	Nut - Keys		10-237	Guard (19")
20	2-130	Housing (21")	40	62-34	Rivet
	2-131	Housing (19")	41	17-143	Clip
21	20-186	Bolt - 1/4-20 x 1/2	42	10-192	Toe Guard (21")
22	22-74	Baffle (21")		10-193	Toe Guard (19")
	22-73	Baffle (19")	43	62-38	Pop Rivet

OPTIONAL ACCESSORY

- 30-0310 Grass Catcher
- 30-0360 Replacement Bag

\*Note: Model EO-2110 uses 3-164 wheel w/89-34 hub cap.

\*\* For models prior to 1977, order shoulder bolt 20-361 for front wheel and 20-362 for rear wheel w/ref. 16 only. Models 1977 to date use shoulder bolt 20-361 front and rear.

† Discontinued in 1980, not needed.

†† Starting in 1982, models have straight handles. Order 4-224 for top and 6-76 for bottom.