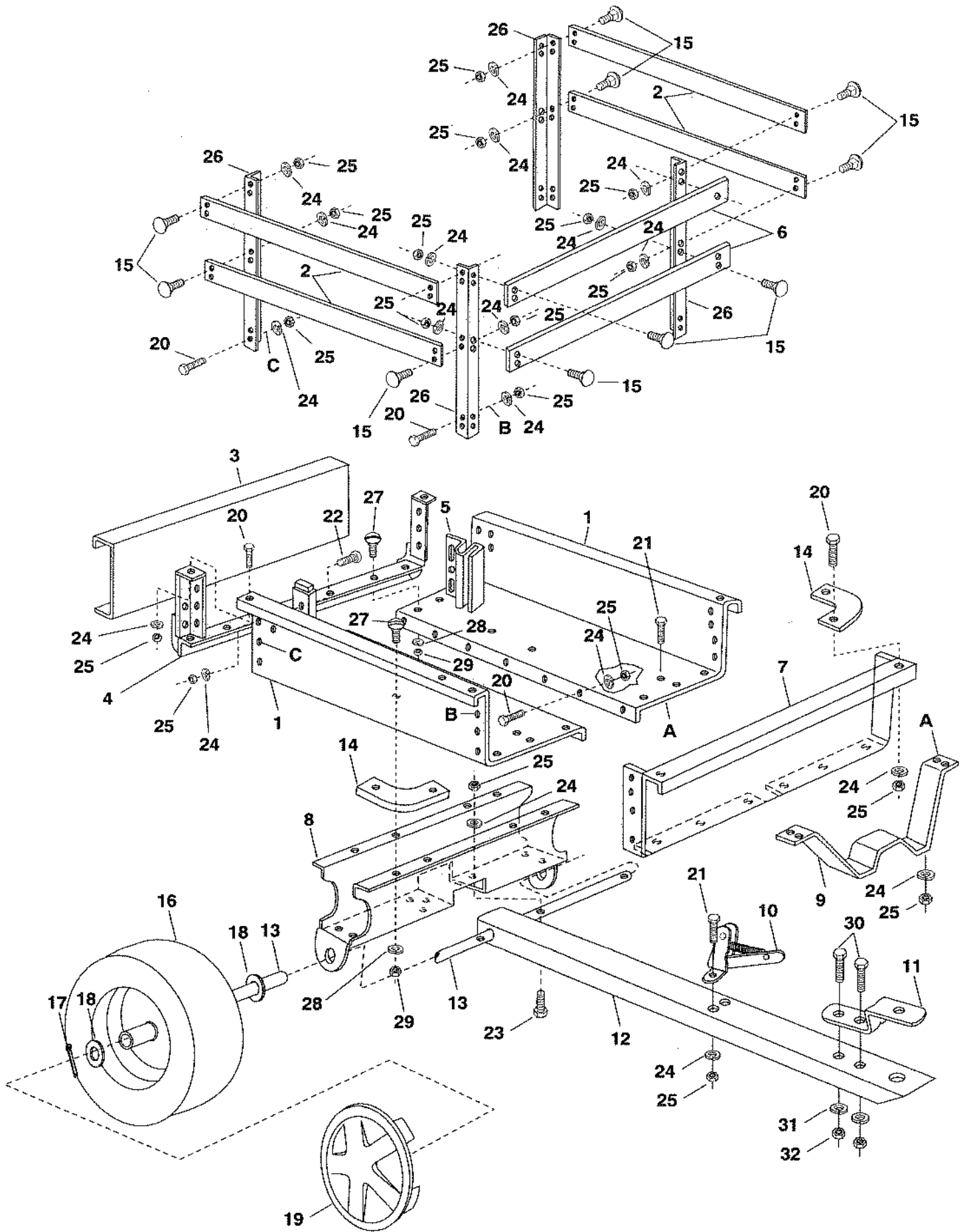


15 cu. ft. YARDMAN CART MODEL NO. 501711



REPAIR PARTS LIST FOR 15 cu. ft YARDMAN CART, MODEL 501711

REF. NO.	PART	QTY. NO.	DESCRIPTION
1	23987	2	Cart Body
2	23088	4	Board Sides, 1x3x46-1/2
3	23503	1	Tailgate
4	62458	1	Sub ass'y. - Rear Angle
5	23767	1	Guide, Tailgate - One Piece
6	23089	2	Board Front, 1x3x31-1/2
7	23493	1	Front Panel
8	23507	1	Wheel Support
9	23297	1	Latch Stand Bracket
10	62455	1	Ass'y, Latch Lock
11	23014	1	Hitch Bracket
12	23988	1	Draw Bar Tongue
13	23299	1	Wheel Axle 1" Dia.
14	23484	2	Cap, Front Corner
15	43176	24	Bolt Carriage 1/4-20 x 1"
16	46112	2	Wheel, 16/6.5 x 8.00
17	43093	2	Cotter Pin, 1/8" Dia. x 1-1/2"
18	43601	4	Washer, Flat 1.032" ID
19	43014	2	Hub Cap
20	43175	23	Hex Bolt, 1/4" x 1/2"
21	43866	6	Hex Bolt, 1/4" x 5/8"
22	43012	6	Hex Bolt, 1/4" x 3/4"
23	1509-69	2	Hex Bolt, 1/4" x 1-3/4"
24	43177	37	Lock washer, 1/4" ID
25	43178	37	Hex Nut, 1/4" Thread
26	23086	4	Angle Bracket
27	43814	14	Slotted Truss Hd Bolt 5/16" x 3/4" Lg.
28	43086	14	Lock Washer 5/16" ID
29	43083	14	Hex Nut 5/16" Thread
30	43001	2	Hex Bolt, 3/8" x 1"
31	43003	2	Lock Washer, 3/8" ID
32	43015	2	Hex nut, 3/8" Thread
	46235	1	Owner's Manual

* Purchase Common Hardware Locally