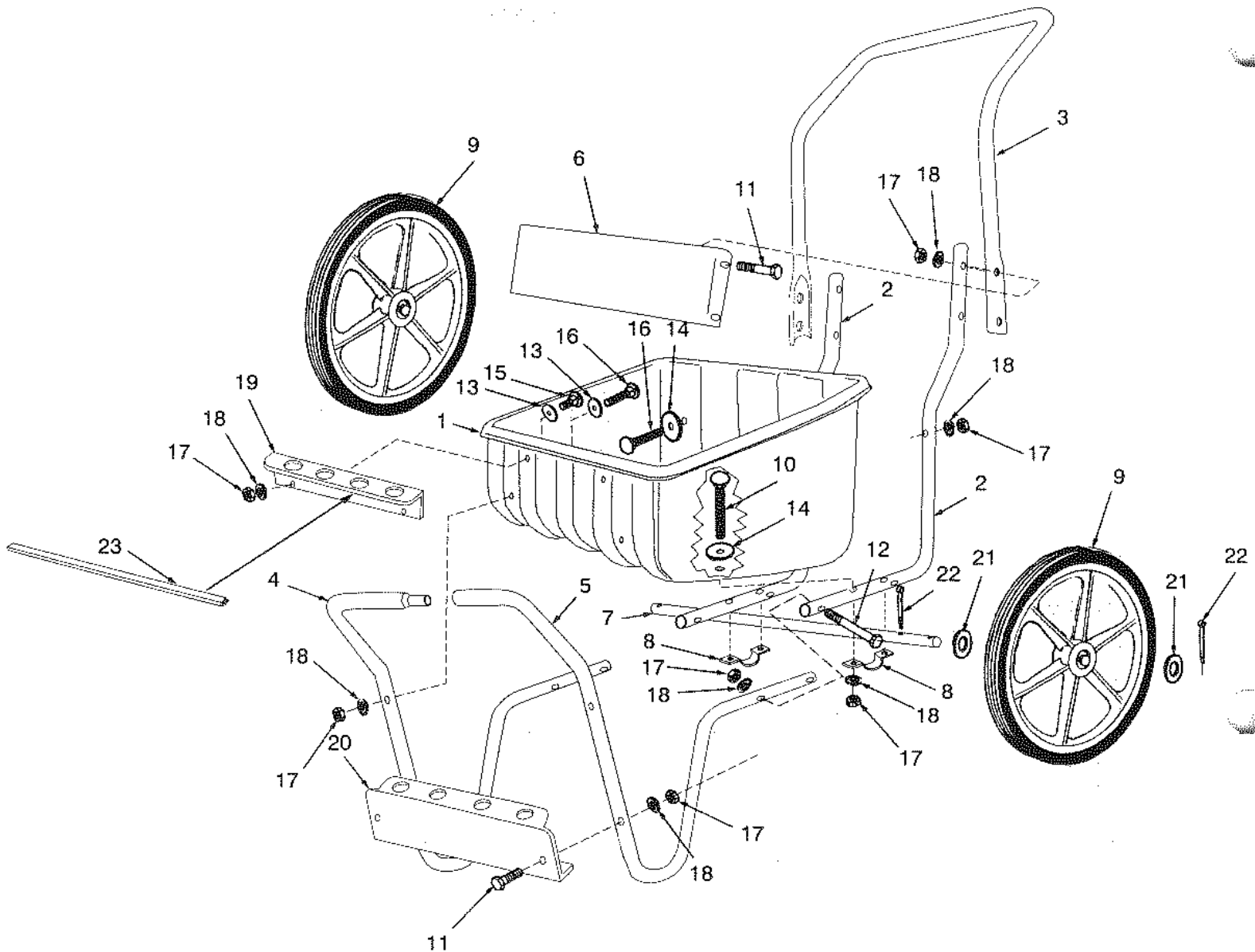


REPAIR PARTS FOR MODEL 45-02311 - CARRY-ALL



REPAIR PARTS LIST FOR MODEL 45-02311 - CARRY-ALL

REF. NO.	PART NO.	QTY	DESCRIPTION	REF. NO.	PART NO.	QTY	DESCRIPTION
1	45161	1	Tray	13	1543-69	4	Washer, nylon (small)
2	45158	2	Tube, lower handle	14	43553	6	Washer, nylon (large)
3	45159	1	Tube, upper handle	15	44950	2	Carriage bolt, 1/4-20 X 3/4"
4	46228	1	Tube, leg (RH)	16	46000	4	Carriage bolt, 1/4-20 X 1-1/2"
5	46229	1	Tube, leg (LH)	17	43178	20	Nut, 1/4-20
6	23915	1	Brace, cross	18	43177	20	Lock washer, 1/4"
7	23916	1	Axle	19	23918	1	Tool holder brkt (upper)
8	23917	2	Clamp	20	24022	1	Tool holder brkt (lower)
9	44975	2	Wheel	21	43009	4	Washer, large steel
10	45039	4	Carriage, bolt 1/4-20 X 1-3/4"	22	43010	4	Cotter pin
11	43648	6	Hex hd bolt, 1/4-20 X 1-1/2"	23	46138	1	Edge Molding
12	45164	4	Hex hd bolt, 1/4-20 X 2-1/4"		46226	1	Owners Manual