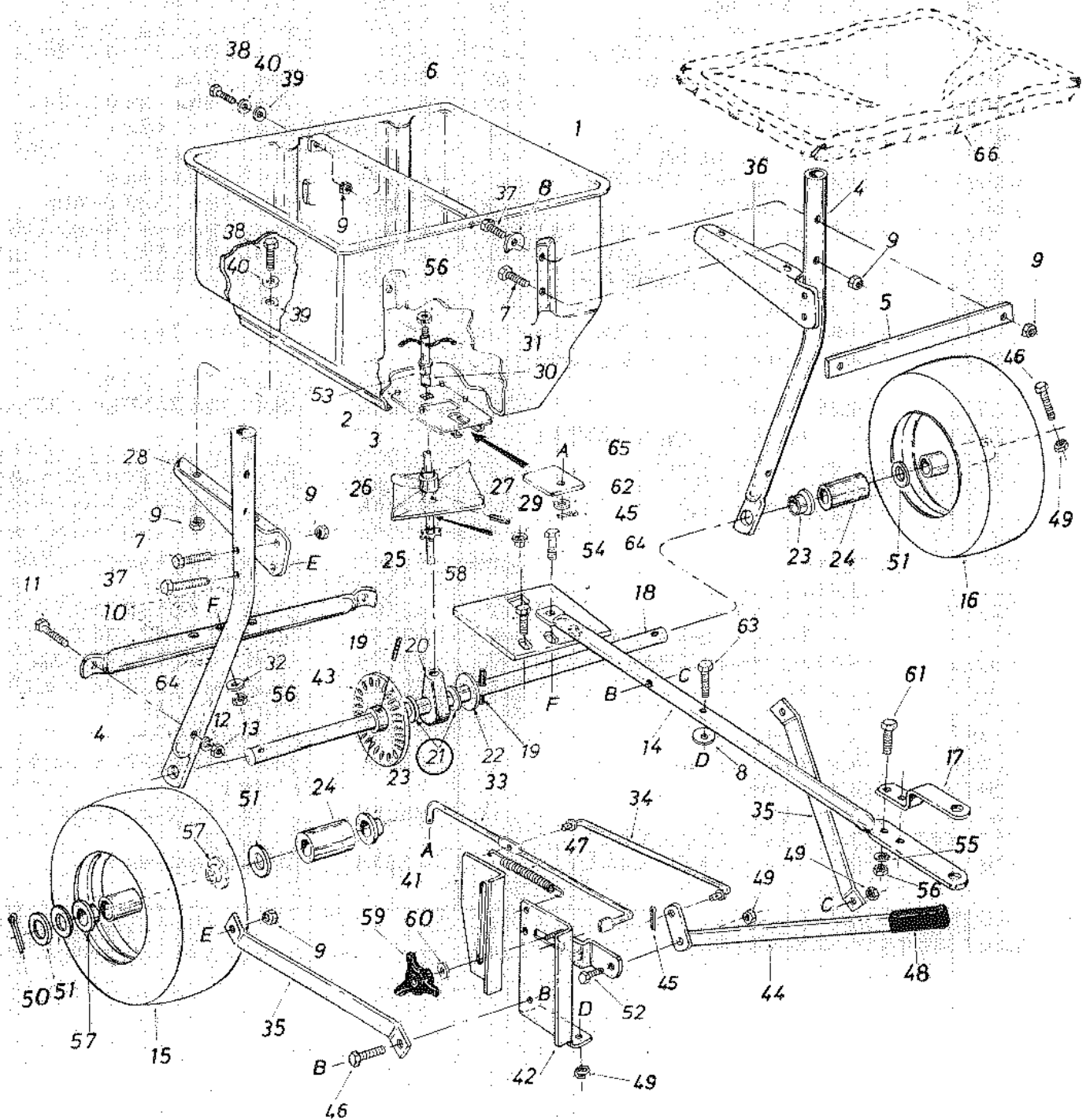


# REPAIR PARTS FOR BROADCAST SPREADER MODEL 41-0187(B)



(21) Shim Washers

**REPAIR PARTS LIST FOR BROADCAST SPREADER MODEL 41-0187(B)**

REF. NO.	PART NO.	QTY.	DESCRIPTION	REF. NO.	PART NO.	QTY.	DESCRIPTION
1	43805	1	Hopper - Broadcast Spreader	37	1509-069	2	Bolt, Hex 1/4-20 x 1-3/4" Lg.*
2	43882	4	Rivet - Stainless	38	43012	6	Bolt, Hex 1/4-20 x 3/4" Lg. Gr. 5
3	62482	1	Ass'y. - Guide Closure				
4	43806	2	Support Tube, Hopper/Axle	39	1543-069	6	Washer, Nylon
5	23556	1	Strap, Tube - Spreader	40	43088	6	Washer, Flat 1/4" Std.*
6	23697	1	Strap, Hopper	41	23530	1	Gage, Flow Control
7	43648	2	Bolt, 1/4-20 x 1-1/2" Lg.*				
8	43877	5	Washer, Bowed 1/4" I.D.	42	62473	1	Ass'y. Flow Control Mount
9	43013	14	Nut, Hex Lock 1/4-20 Thd.*	43	62474	1	Ass'y. Gear
				44	62477	1	Ass'y. Flow Control Arm
10	43808	1	Tube, Crossover	45	R76020312	2	Cotter Pin 3/32 x 3/4" Lg.*
11	43084	2	Bolt, Hex 5/16-18 x 1-3/4" Lg.*	46	1509-069	1	Bolt, Hex 1/4-20 x 1-3/4" Lg.*
12	43086	2	Lock Washer, Spring 5/16" I.D.*	47	43000	1	Spring, Extension
13	43064	3	Nut, Hex Lock 5/16-18 Thd.	48	43848	1	Grip, Flow Control Arm
				49	43013	4	Nut, Hex Lock 1/4-20 Thd.
14	43807	1	Tube, Hitch				
15	43845	1	Wheel, Ass'y. 14 x 4 R.H. w/Brg.	50	43093	1	Cotter Pin, 1/8 x 1-1/2" Lg.*
16	43846	1	Wheel, Ass'y. 14 x 4 L.H. Drive	51	43009	4	Washer 1-5/8" O.D. x 25/32" I.D.
17	23687	1	Bracket, Hitch	52	43012	1	Bolt, Hex 1/4-20 x 3/4" Lg. Gr. 5
18	23522	1	Shaft, Axle				
19	43851	2	Pin, Roll 3/16" Dia. x 1.25" Lg.	53	44285	1	Bushing Delrin .375 I.D.
				54	43054	1	Bolt, Hex 3/8-16 x 2.00" Lg. Gr. 5
20	43871	1	Bushing, Axle/Shaft				
21	1540-032	5	Washer, Flat .78"	55	43003	2	Lock Washer, Spring 3/8" I.D.*
22	1540-162	1	Washer, Std. 3/4"				
23	741-0382	1	Bearing Flange	56	43082	6	Nut, Hex Lock 3/8-16 Thd.*
24	23708	2	Spacer				
25	62472	1	Shaft, Sprocket	57	44264	2	Bearing 3/4" I.D.
26	04367	1	Spreader Plate	58	41576	2	Box, Hex 3/8-16 x 1-3/4" Lg. Gr. 5
27	43850	1	Pin, Roll 1/8" Dia. x 5/8" Lg.	59	43849	1	Knob, Plastic 1/4-20 Thd.
28	23696	1	Brace, Hopper (R.H.)	60	1543-069	1	Washer, Nylon
29	43852	1	Bushing, Nylon .375 I.D.	61	43087	2	Bolt, Hex 3/8-16 x 1-1/4" Lg.*
30	23553	1	Sleeve, Agitator				
31	43878	1	Wire, Agitator	62	43081	1	Washer, 5/16" Std.*
32	43070	3	3/8" Flat Washer	63	43648	1	Bolt, 1/4-20 x 1-1/2" Lg.*
33	43858	1	Rod, Slide Gate	64	23555	1	Support, Shaft
34	43859	1	Rod, Flow Control	65	23533	1	Plate, Closure
35	23525	2	Brace, Hitch	66	43962	1	Optional Vinyl Hopper Cover
36	23695	1	Brace, Hopper (L.H.)		44258	1	Owner's Manual

\* Purchase common hardware locally.