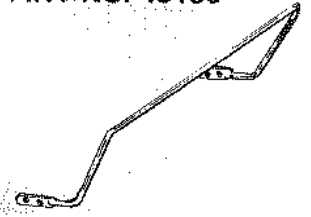
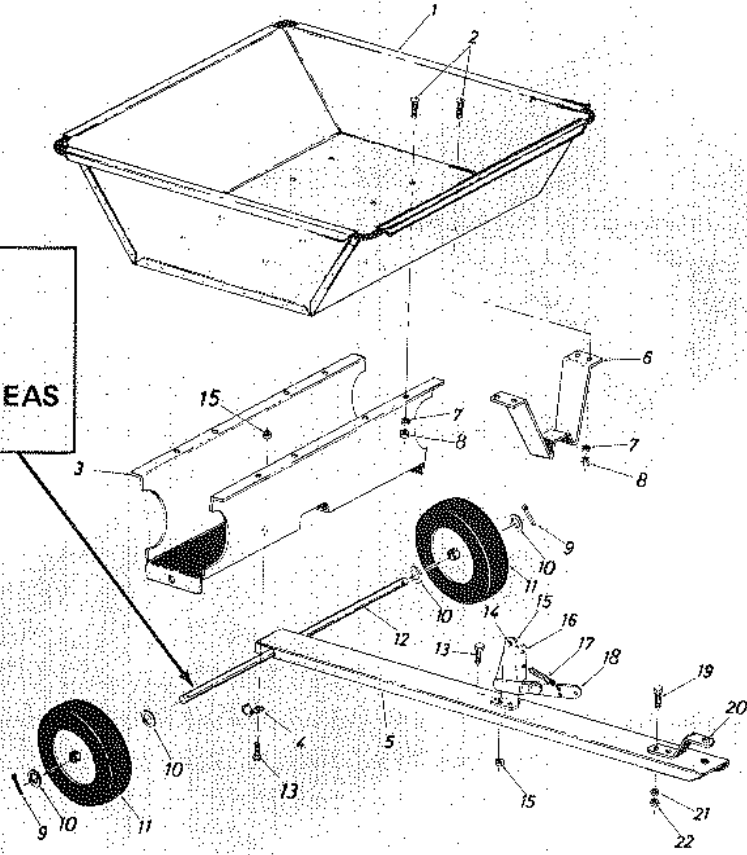


# Models 27-0125, 29-0125 and 31-0125 6.5 Cu. Ft. DUMP CART

OPTIONAL HANDLE  
PART NO. 43180



**NOTE**  
GREASE OR OIL  
WHEEL BEARING AREAS  
OF SHAFT.



## PARTS LIST FOR 6.5 CU. FT. DUMP CART

Ref. No.	PART No.	QUAN.	DESCRIPTION
1	62094	1	Bed Assembly
2	43189	12	Slotted Pan Hd. Bolt 1/4-20 x .50" Lg.*
3	23094	1	Wheel Support
4	43190	2	Axle Clamp
5	23096	1	Tongue
6	23095	1	Latch Stand Bracket
7	43177	12	L-Wash. 1/4" Scr.*
8	43178	12	Hex Nut 1/4-20 Thd.*
9	43010	2	Cotter Pin 1/8" Dia.x1.00"Lg.*
10	43009	4	Fl-Wash. .78 I.D. x 1.62" O.D. x .047 Thk.
11	43181	2	Wheel Ass'y. Comp. 12.00 x 3.00
12	23099	1	Axle .75" Dia.
13	43175	4	Hex Bolt 1/4-20 x .50" Lg.*
14	43012	1	Hex Bolt 1/4-20 x .75" Lg.*
15	43013	5	Hex L-Nut 1/4-20 Thd.
16	23097	1	Latch Lock Bracket
17	43000	1	Extension Spring
18	62020	1	Lock Bracket Ass'y.
19	43001	2	Hex Bolt 3/8-16 x 1.00" Lg.*
20	23098	1	Hitch Bracket
21	43003	2	L-Wash. 3/8" Scr.*
22	43015	2	Hex Nut 3/8-16 Thd.*

\*Common Hardware may be purchased locally.