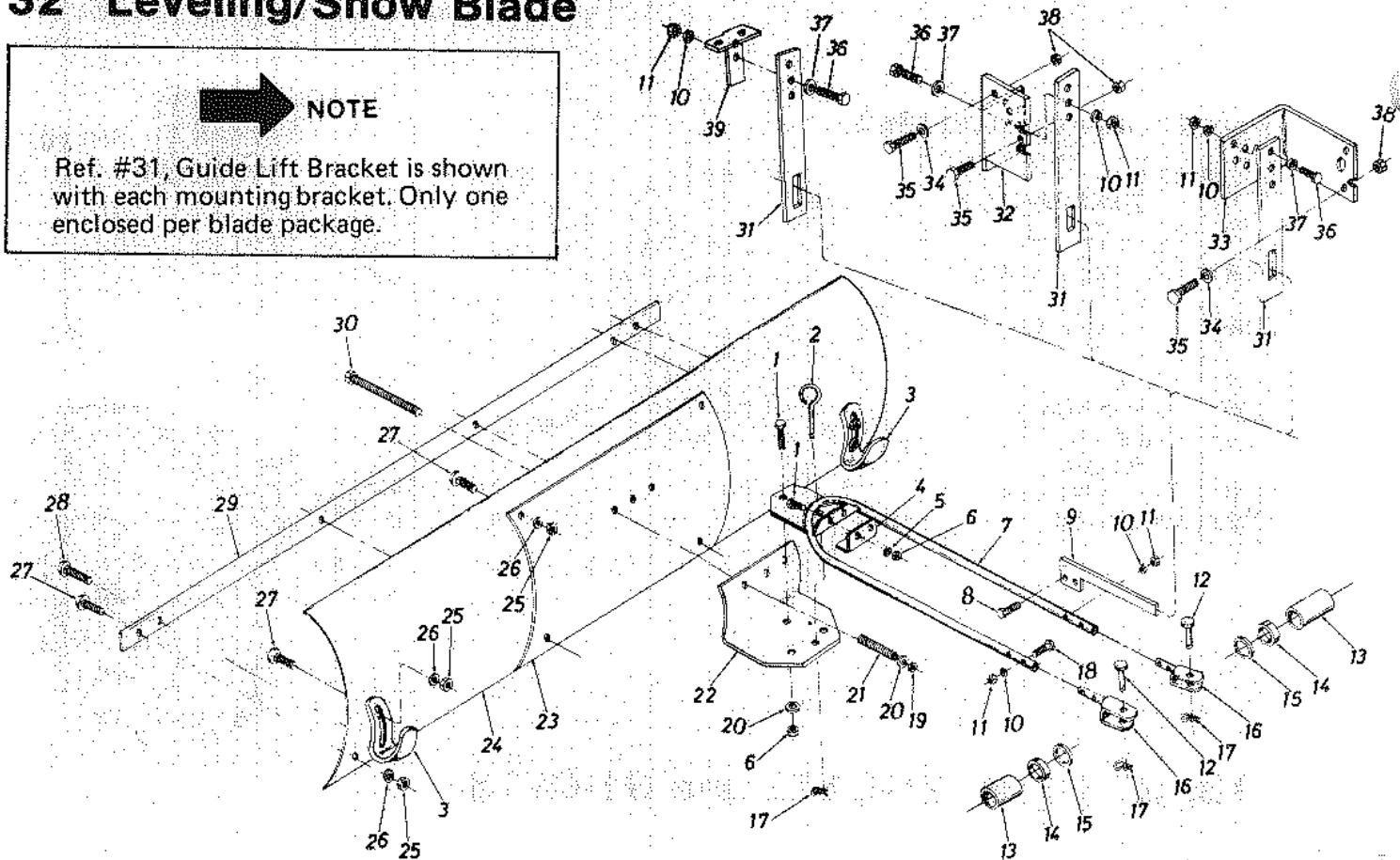


MODEL No. 16-0116, 27-0116, 28-0116 and 31-0116 32" Leveling/Snow Blade



Ref. #31, Guide Lift Bracket is shown with each mounting bracket. Only one enclosed per blade package.



PARTS LIST FOR 32" LEVELING/SNOW BLADE MODEL 298-196A

Ref. No.	PART No.	QUAN.	DESCRIPTION	Ref. No.	PART No.	QUAN.	DESCRIPTION
1	43087	3	Hex Scr. 3/8-16 x 1.25" Lg. (Grade 5)	21	43035	3	Compression Spring
2	43038	1	Pivot Lock Pin	22	23064	1	Support Bracket
3	23070	2	Skid Shoe	23	23061	1	Reinforcement Plate
4	23065	1	Pivot Lock Angle	24	23060	1	32" Blade Head
5	43003	2	L-Wash. 3/8" Scr.	25	43064	10	Hex L-Nut 5/16-18 Thd.
6	43082	3	Hex L-Nut 3/8-16 Thd.	26	43081	10	Fl-Wash. 5/16" I.D.
7	62034	1	Frame Ass'y.	27	43080	8	Carriage Bolt 5/16-18 x .75" Lg.
8	43084	2	Hex Scr. 5/16-18 x 1.75" Lg. (Grade 5)	28	43079	2	Carriage Bolt 5/16-18 x 1.00" Lg.
9	62036	1	Guide Bar Ass'y.	29	23062	1	Scraper Blade
10	43086	6	L-Wash. 5/16" Scr.	30	43036	3	Hex Scr. 3/8-16 x 3.75" Lg. (Grade 5)
11	43083	6	Hex Nut 5/16-18 Thd.	31	23071	1	Guide Lift Bracket (only 1 included per kit)
12	43037	2	Clevis Pin 3/8" Dia. x 2.75" Lg.	32	23073A	1	Lift Guide Mounting Bracket
13	23076	2	Sleeve Adapter (long)	33	23074	1	Lift Guide Mounting Bracket
14	23075	2	Sleeve Adapter (short)	34	43088	1	Fl-Wash. 1/4" I.D.
15	43025	2	Fl-Wash. 1-1/32 I.D. x 2"	35	43012	2	Hex Scr. 1/4-20 x .75" Lg.
16	62035	2	Bracket Frame Mount Ass'y.	36	43063	3	Hex Scr. 5/16-18 x 1.00" Lg. (Grade 5)
17	43055	3	Hair Pin Cotter	37	43081	2	Fl-Wash. 5/16" I.D.
18	43085	2	Hex Scr. 5/16-18 x 1.50" Lg. (Grade 5)	38	43013	2	Hex L-Nut 1/4-20 Thd.
19	43082	3	Hex L-Nut 3/8-16 Thd.	39	23072A	1	Lift Guide Mounting Bracket
20	43070	4	Fl-Wash. 3/8" I.D.				