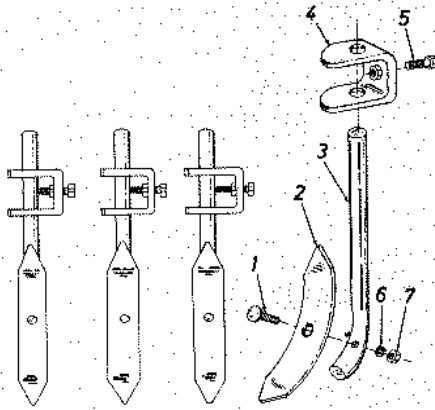


16-0103  
27-0103  
28-0103

16-0105  
27-0105  
28-0105

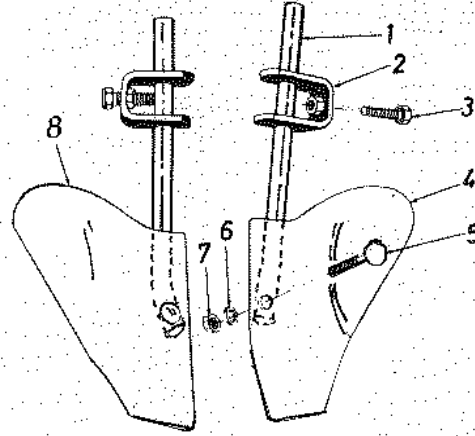
4 SHOVELS and SHANKS

MODEL 298-190A



HILLING PLOW

MODEL 298-167A



PARTS LIST FOR 4 SHOVELS AND SHANKS  
MODEL 198-190A

Ref. No.	PART No.	DESCRIPTION
1	43058	Plow Bolt 3/8-16 x 1.75" Lg.
2	43016	Cultivator Shovel (Point)
3	23040	Rod Shank
4	62026	Clamp Bracket Ass'y.
5	43020	Hex Scr. 1/2-13 x 1.50" Lg. Grade 5
6	43003	L-Wash. 3/8" Scr.
7	43015	Hex Nut 3/8-16 Thd.

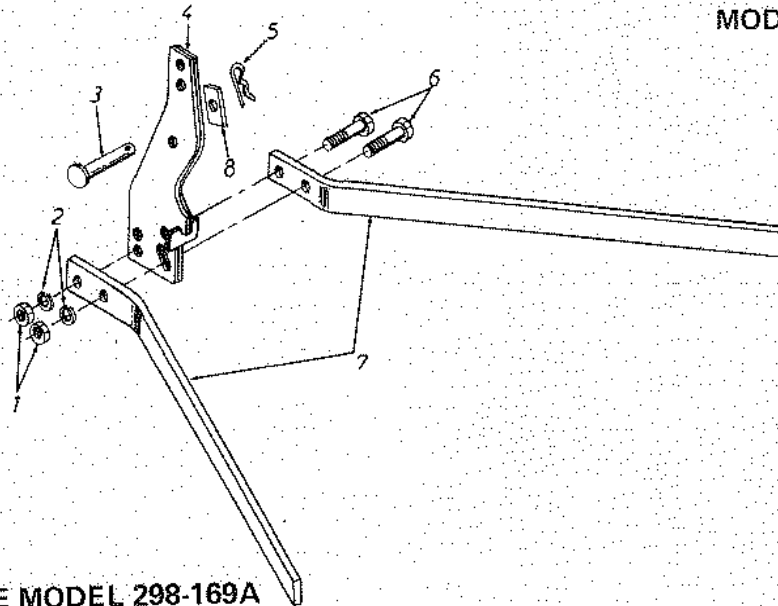
PARTS LIST FOR HILLING PLOW MODEL 298-167A

Ref. No.	PART No.	DESCRIPTION
1	23040	Rod Shank
2	62026	Clamp Bracket Ass'y.
3	43020	Hex Scr. 1/2-13 x 1.50" Lg. Grade 5
4	43017	Plow, L.H.
5	43058	Plow Bolt 3/8-16 x 1.75" Lg.
6	43003	L-Wash. 3/8" Scr.
7	43015	Hex Nut 3/8-16 Thd.
8	43018	Plow, R.H.

"A"-FRAME

MODEL 298-169A

16-0104  
27-0104  
28-0104



PARTS LIST FOR "A"-FRAME MODEL 298-169A

Ref. No.	PART No.	DESCRIPTION	Ref. No.	PART No.	DESCRIPTION
1	43015	Hex Nut 3/8-16 Thd.	5	43055	Hair Pin Cotter
2	43003	L-Wash. 3/8" Scr.	6	43054	Hex Scr. 3/8-16 x 2.00" Lg.
3	43023	Clevis Pin	7	23039A	Bar Frame Side
4	62025	Center Adapter	8	23059	Shim Spacer