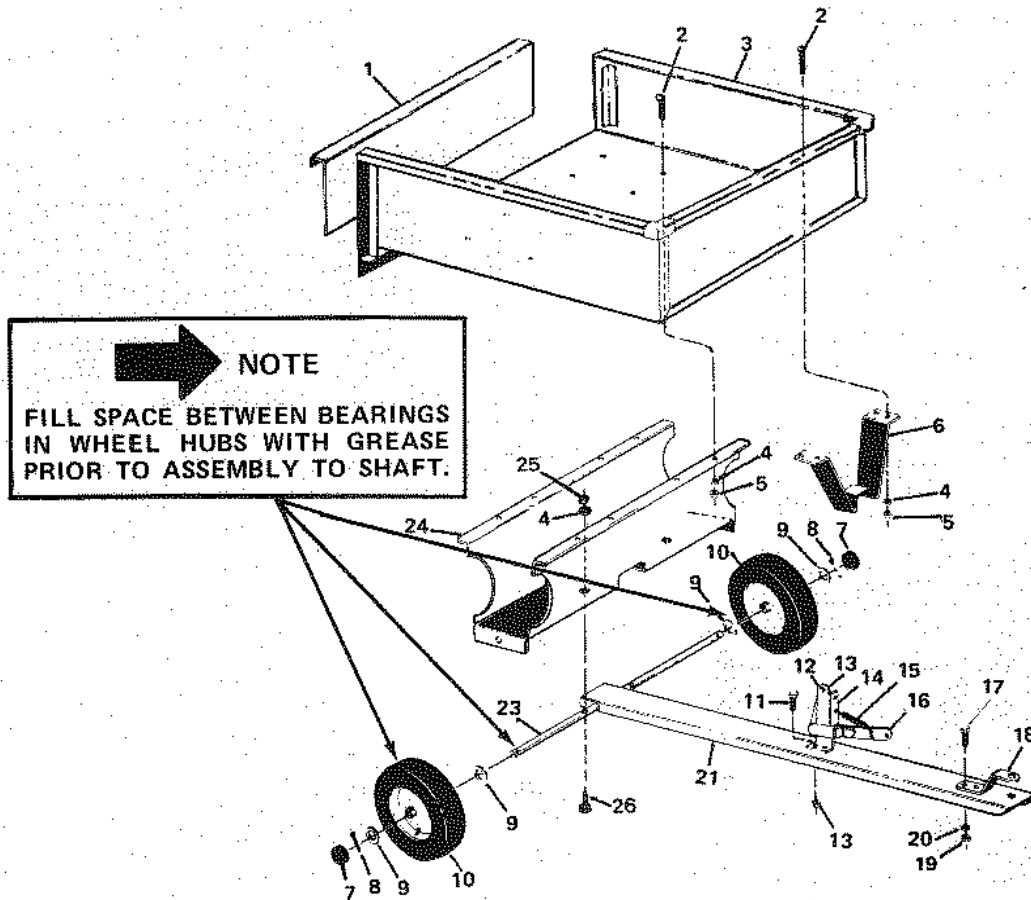


# Model 27-0101 and 31-0101 10 Cu. Ft. Dump Cart



## PARTS LIST FOR 10 CU. FT. DUMP CART

REF. NO.	PART NO.	QUAN.	DESCRIPTION
1	23008	1	Tail Gate
2	43189	12	Slotted Pan HD. bolt 1/4 20 x .50" Lg.*
3	62017	1	48" Bed Ass'y.
4	43177	14	L-Wash. 1/4" Scr.*
5	43178	12	Hex Nut 1/4-20 Thd.*
6	23095	1	Latch Stand Bracket
7	43014	2	Hub Cap
8	43010	2	Cotter Pin 1/8" Dia.x1.00" Lg.*
9	43009	4	Fl-Wash. .047 I.D.x1.62 O.D.
10	43008	2	Wheel Ass'y. Comp. 4.30x3.75-8
11	43175	4	Hex Bolt 1/4-20 x .50" Lg.*
12	43012	1	Hex Bolt 1/4-20 x .75" Lg.*
13	43013	3	Hex L-Nut 1/4-20 Thd.
14	23097	1	Latch Lock Bracket
15	43000	1	Extension Spring
16	62020	1	Lock Bracket Ass'y.
17	43001	2	Hex Bolt 3/8-16 x 1.00" Lg.*
18	23014	1	Hitch Bracket
19	43015	2	Hex Nut 3/8-16 Thd.*
20	43003	2	L-Wash. 3/8" Scr.*
21	23101	1	Tongue
23	23026	1	Wheel-Axle 3/4"
24	23102	1	Wheel Support
25	43178	2	Hex Nut 1/4-20 Thd.*
26	43648	2	Hex Bolt 1/4-20 x 1.50" Lg.*

\*Common Hardware may be purchased locally.