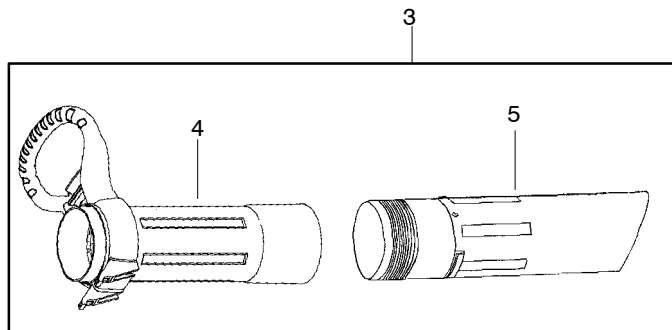
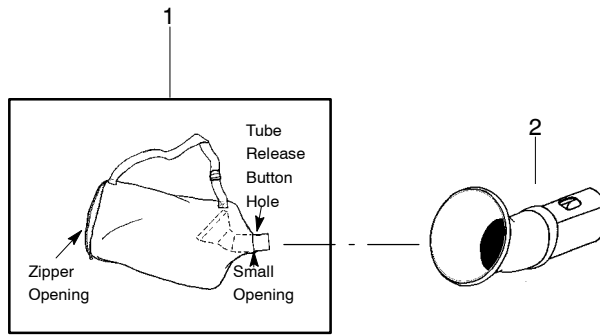


⚠ WARNING

All repairs, adjustments and maintenance not described in the Operator's Manual must be performed by qualified service personnel.



Ref.	Part No.	Description
1.	530095599	Assy. - Vac Bag
2.	530403769	Attachment - Vac Bag
3.	530403988	Kit-Upper/Lower Tube w/handle
4.	530403789	Tube - Upper Vac w/handle
5.	530403850	Tube - Lower Vac
Not Shown		
	530165117	Manual - Operator's

✓ = NEW PART NUMBER FOR THIS IPL

★ = REFER TO THE SERVICE REFERENCE INDICATED FOR MORE INFORMATION. (LOCATED AT END OF IPL)