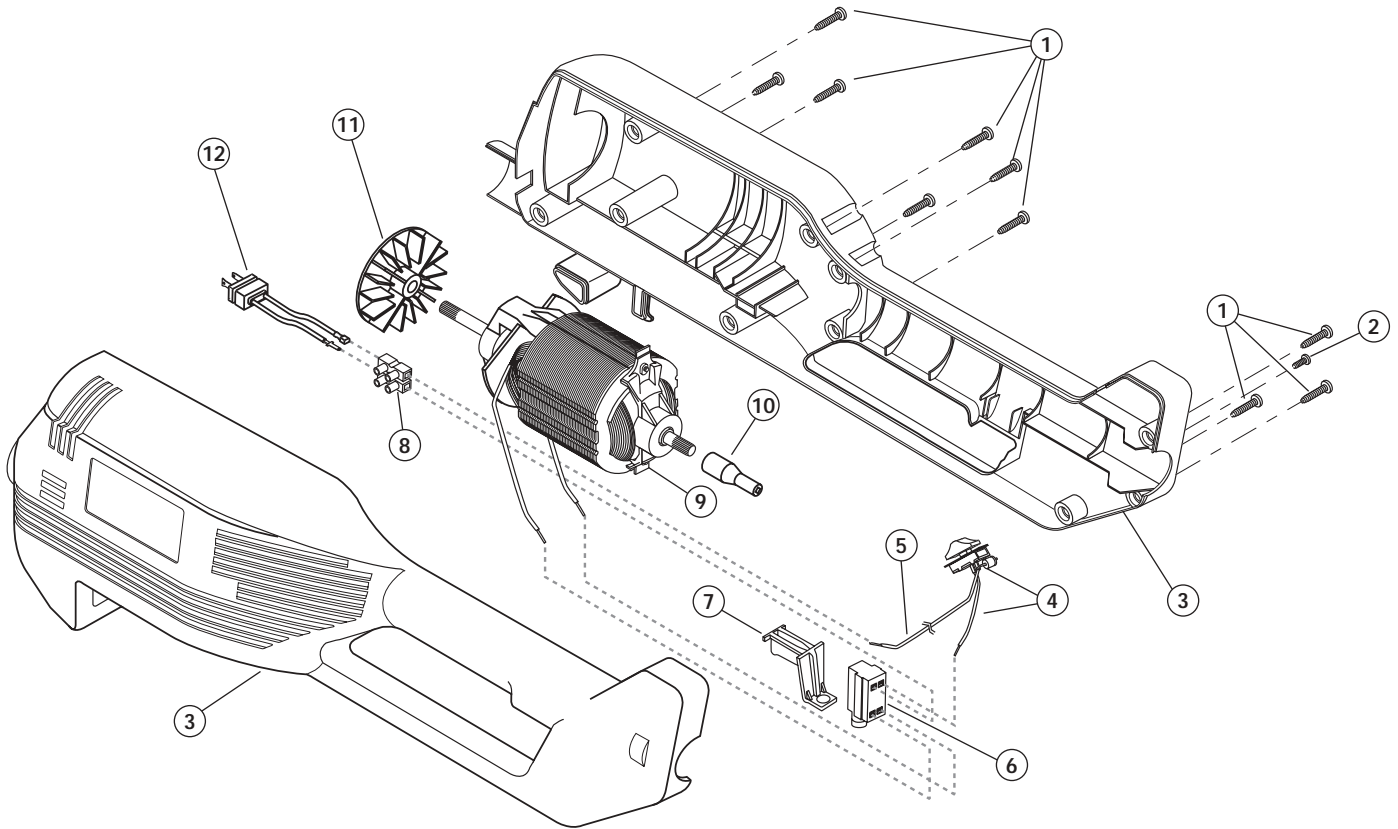


PARTS LIST

MOTOR AND HOUSING PARTS—MODEL YM132 120 VOLT ELECTRIC TRIMMER



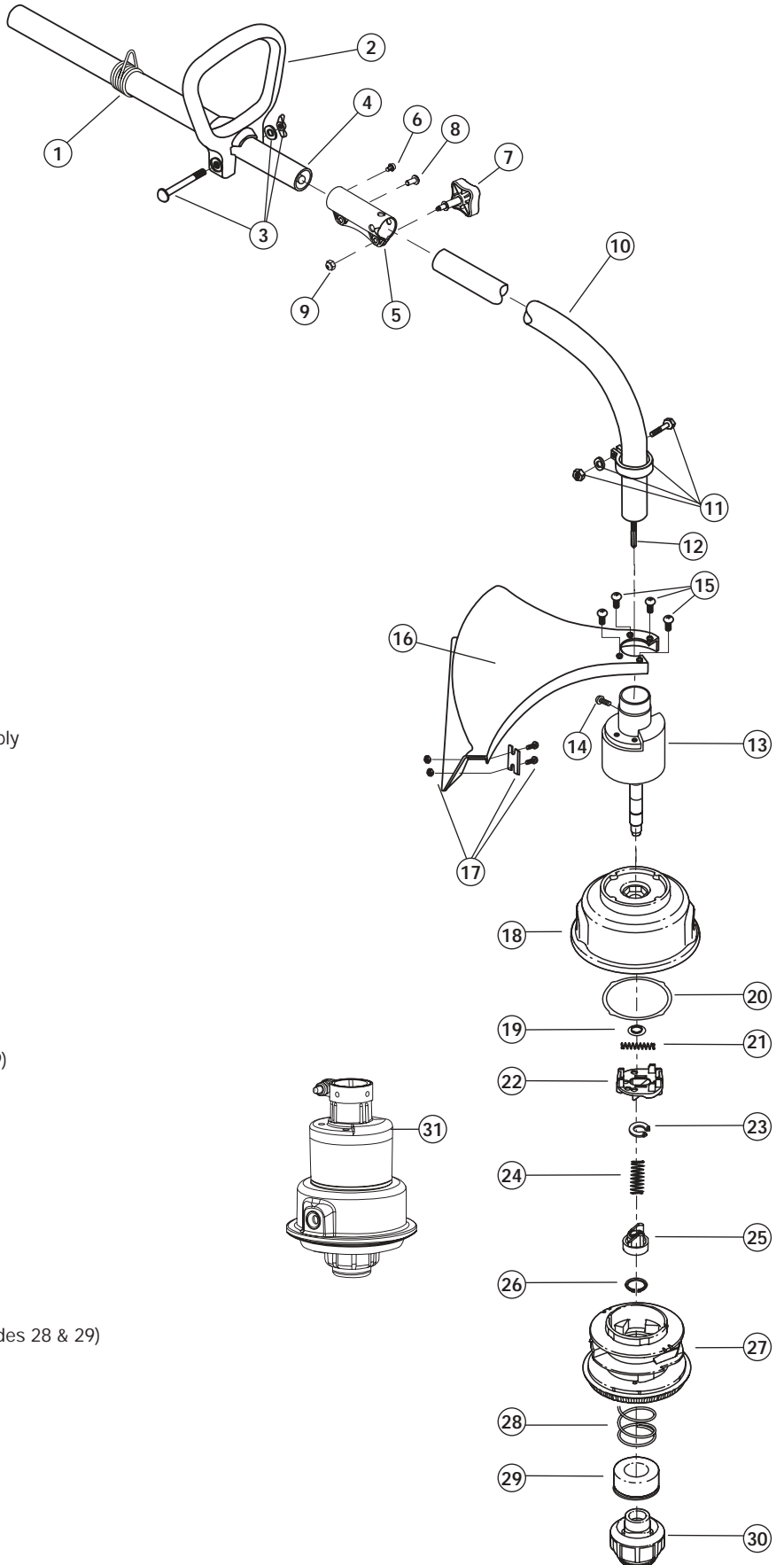
Item	Part No.	Description
1	791-180300	Screw, Housing Set
2	791-145569	Anti-Rotation Screw
3	753-04608	Motor Housing Assembly
4	791-180302	Two-Speed Switch Assembly
5	791-180559	Lead Wires
6	791-180150	Switch (includes 7)
7	791-182318	Trigger
8	791-180305	Terminal Block
9	791-180154	Motor Assembly (includes 10-11)
10	791-180152	Driver
11	791-180155	Cooling Fan
12	791-181645	Power Cord Assembly



CAUTION: Only authorized service technicians should perform adjustments to double-insulated units.

PARTS LIST

BOOM AND TRIMMER PARTS - MODEL YM132 120 VOLT ELECTRIC TRIMMER



Item	Part No.	Description
1	791-610327	Shoulder Harness Clamp
2	791-153064	D-Handle (includes 3)
3	791-181587	D-Handle Hardware Assembly
4	753-04345	Upper Drive Shaft Housing Assembly
5	791-182928	Split Boom Coupler (includes 6-9)
6	791-182057	Screw
7	791-181951	Adjustment Knob
8	791-181617	Bolt
9	753-04386	Nut
10	753-1218	Lower Drive Shaft Assembly
11	791-153597	Lower Clamp Assembly
12	791-181852	Flexible Drive Shaft
13	791-181857	Bushing Housing Assembly
14	791-145569	Anti-Rotation Screw
15	791-180531	Guard Mounting Screws
16	791-683274	Guard Assembly (includes 17)
17	791-682061	Blade Assembly
18	791-181457	Outer Spool Assembly (includes 19)
19	791-181458	Retainer
20	791-181561	Thrust Washer
21	791-181459	Small Spring
22	753-04257	Slider
23	791-181532	E-Clip
24	791-181531	Spring
25	791-181462	Plunger
26	791-181463	C-Clip
27	791-181464	Inner Reel
28	791-181465B	Large Spring
29	791-181467	Foam Seal
30	791-181468B	Bump Head Knob Assembly (includes 28 & 29)
31	791-181469B	Complete Cutting Head Assembly (includes 11 & 13-30)

Optional Accessories

- * 791-682075B Shoulder Strap Harness
- * 791-181460B Reel w/.080 Line

* not shown