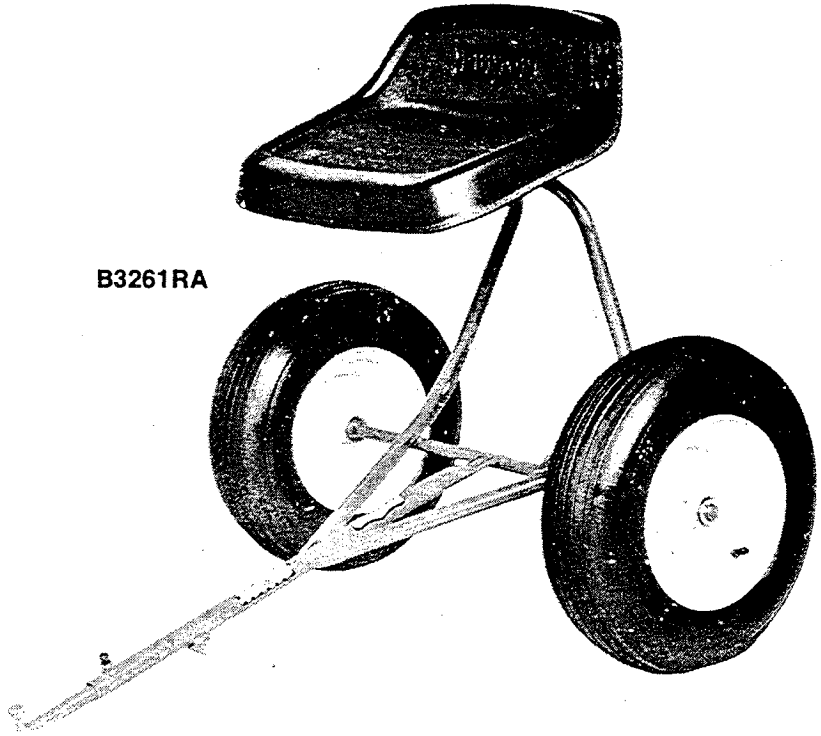




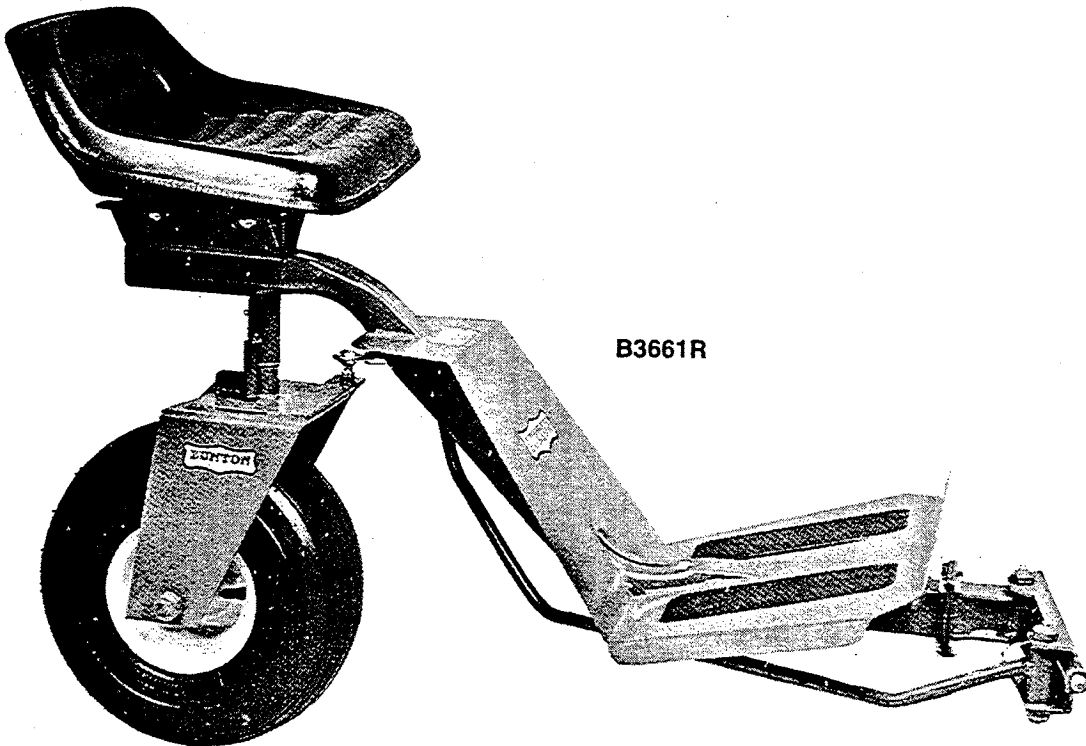
COMMERCIAL MOWERS

**PARTS LIST, SPECIFICATIONS
and INSTRUCTION MANUAL for
RIDER ATTACHMENT MODELS
B2428RA, B3261RA and B3661R**

B3261RA



B3661R



Congratulations on the purchase of your new Bunton Lawn Equipment Accessory. This product has been carefully designed and manufactured to give you a maximum amount of dependability and trouble free years of operating.

Outlined in this manual you will find safety and service hints to keep your accessory operating like new for years to come.

For your convenience, we have provided this space to copy the model and serial numbers from your accessory. Please read this booklet and keep it handy for all operators and servicemen.

BUNTON	
MODEL	_____
SERIAL	_____
MANUFACTURED BY BUNTON COMPANY LOUISVILLE, KENTUCKY 40232 U.S.A.	

DATE PURCHASED	_____
PURCHASED FROM	_____
_____	_____
_____	_____
_____	_____

BUNTON LIMITED WARRANTY

Bunton equipment is warranted for 1 year against defects in material or workmanship, when operated and maintained in accordance with the Bunton Instruction Manual. Bunton Co. will replace or repair, free of charge, any part of the original equipment returned to us or our authorized servicing representative with transportation or postage thereon prepaid and which upon examination, shall be defective. The cost of replacing items that are subject to normal wear, such as but not limited to: air filter elements, belts, blades, edger-guards, grass bags and tires will be borne by the purchaser/owner unless such wear was caused by a defect in material or workmanship. Bunton Co. will not be liable for any consequential, incidental or special damages and/or expenses. Bunton Co. does not warrant engines as they are warranted by the engine manufacturers.

INTRODUCTION

The Bunton line of commercial rider attachments make any of our self-propelled mowers an instant rider that is more versatile and maneuverable than a comparable riding mower. As

with all Bunton products, these riders have been designed and manufactured to provide years of dependability, comfort and trouble free service.

SAFETY INSTRUCTIONS

When Attaching or Removing Rider Attachment:

1. Always be sure to disengage blades, stop engine and disconnect spark plug wire(s). On electric start models also remove ignition key.
2. Place mower on level terrain and release the traction control levers from the neutral position to prevent the mower from accidentally rolling.
3. Check all hardware often for tightness. Loose parts could cause rider to separate from mower, possibly causing injury.

When Using Rider Attachment:

1. Always wear protective footwear. Do not use rider

- when barefoot or wearing open sandals.
2. Do not let children ride on the mower or on the rider attachment.
3. Stay alert for holes in the terrain and other hidden hazards.
4. Do not use rider on hilly or uneven ground.
5. Do not make extremely tight or high speed turns.
6. Keep tires properly inflated. Never exceed maximum inflation pressure specified by tire manufacturers. Over-inflation could cause injury.
7. Keep all grease fittings lubricated.

IMPORTANT: WHEN ORDERING PARTS, PLEASE FURNISH THE FOLLOWING INFORMATION.

1. Model and Serial No. on Bunton Serial Plate.
2. Part No. and Description of Part.
3. Quantity Required.
4. When Ordering Engine Parts, Please give Model and Type No. on Engine Serial Plate.
5. Name and Address Where Parts are to be Shipped.

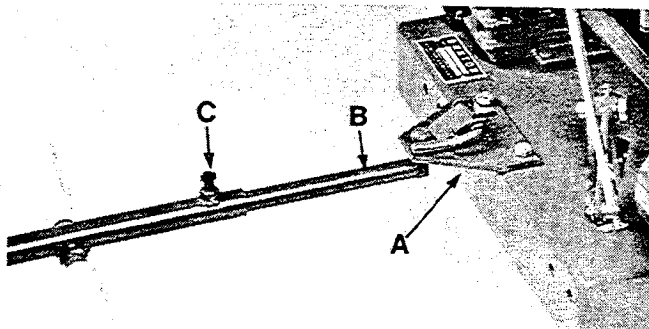
All Parts F.O.B. Louisville, KY
Use Only Genuine "Bunton" Replacement Parts.

28RA & B3261RA RIDER ATTACHMENTS

B2428RA rider is to be used with 24 and 28 inch mowers, the B3261RA rider is to be used with 32 thru 61 inch mowers. These riders are constructed with heavy gage welded tube an feature and adjustable, padded seat, a foot ated brake and an instant hitch which makes attachment k and easy.

Attaching B2428RA & B3261RA Riders to Mower

- Using the hardware provided, bolt rider hitch "A" to mower frame.
- Insert hitch bar "B" into hitch
- Adjust length of hitch bar (depending on size of operator) by loosening set screw "C". Slide bar to desired length and tighten set screw. **CAUTION:** Frequently check set screw to make sure it is tight. If loose, hitch bar could separate and possibly cause injury.
- To Remove Rider, simply lift hitch latch and remove rider from mower.



SPECIFICATIONS FOR B2428RA & B3261RA RIDER

FRAME - Heavy gage welded steel tubing.

WHEELS - (2) 4.80 X 8.00-8 pneumatic tires.

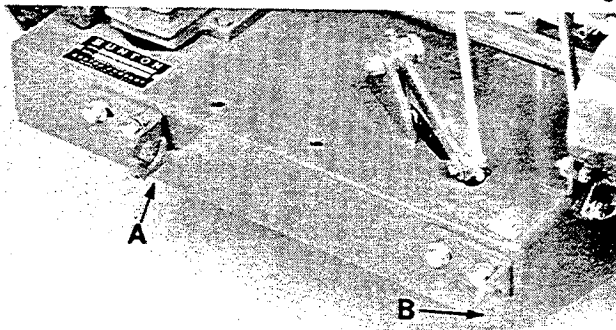
TIRE PRESSURE - 30psi.

DIMENSIONS - B2428RA **B3261RA**
 Height - 28-1/2" Height - 28-1/2"
 Width - 24" Width - 30"
 Length - 32" to 41-1/2" Adjustable

WEIGHT - 41 lbs. (B2428RA) - 42 lb. (B3261RA)

SHIPPING WEIGHT - 50 lbs. (B2428RA) - 51 lbs. (B3261RA)

RIDER ATTACHMENT MODEL B3661R - The B3661R rider features a unique one-wheel design that allows exceptionally tight cornering without binding or whipping. It can be used with 36 inch through 61 inch Bunton self-propelled mowers and features a drop-down kickstand, adjustable seat and a quick hitching system.



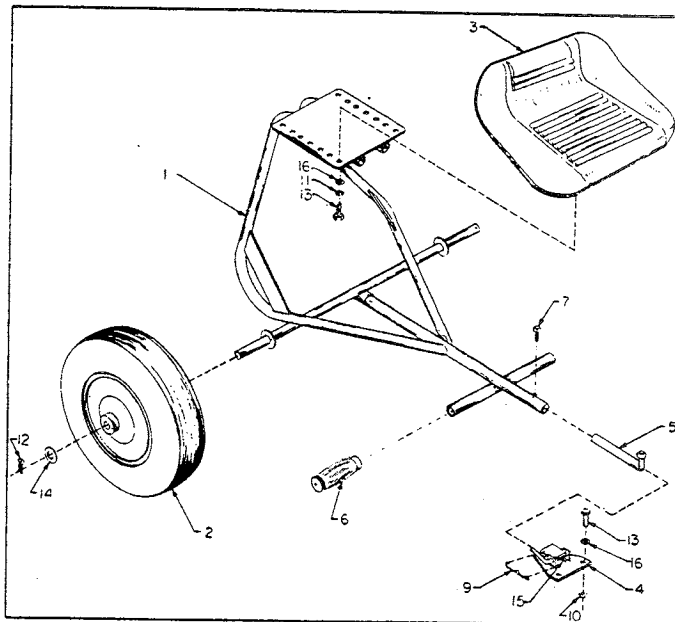
Attaching Model B3661R Rider to Mower

- Using the hardware provided, bolt hitch mounting bracket "A" (PS5247A) to the left side of rear frame. Mount bracket "B" (PS5248A) to the right side of rear frame.
- Slide hitch pin levers "C" inward and place rider between hitch brackets "A" & "B".

SPECIFICATIONS FOR MODEL B3661R RIDER

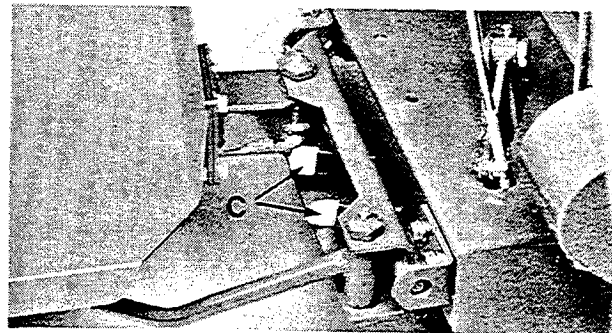
FRAME - Heavy-gage steel, rider deck 14 gage and reinforced with 12 gage square tubular steel, welded into a single unit.

WHEEL - One (1) 15 X 6.00-6 pneumatic tire, 4 ply rib tread.



PARTS LIST FOR B2428RA & B3261RA RIDERS

Ref. No.	Part No.	Description	No. Req'd.
1	PS5029A	Frame for B2428RA (Shown)	1
	PS5134A	Frame for B3261RA	1
2	PS18	Wheel Assembly	2
3	PS5260	Seat Assembly	1
4	PL0097A	Hitch, Sulky	1
5	PS04	Hitch Bar	1
6	PL0089	Handle Grip	2
7	PS09	Set Screw	1
8	PL0049	Spring (B2428 Only)	1
9	PS16	Spring	1
10	Z30003	5/16"-18 Flange Nut	2
11	Z37003	5/16" Spring Lock Washer	4
12	Z51004	1/8" X 1-1/4" Cotter Pin	3
13	Z19004	5/16"-18 X 3/4" Hexagon Head Cap Screw	6
14	Z35010	3/4" Machinery Bushing	2
15	Z42018	1/8" X 1-1/4" Roll Pin	1
16	Z34003	5/16" Flat Washer	6
ITEMS NOT SHOWN ON PARTS DRAWING			
	PS19	Inner Tube	2
	PS20	Tire	2

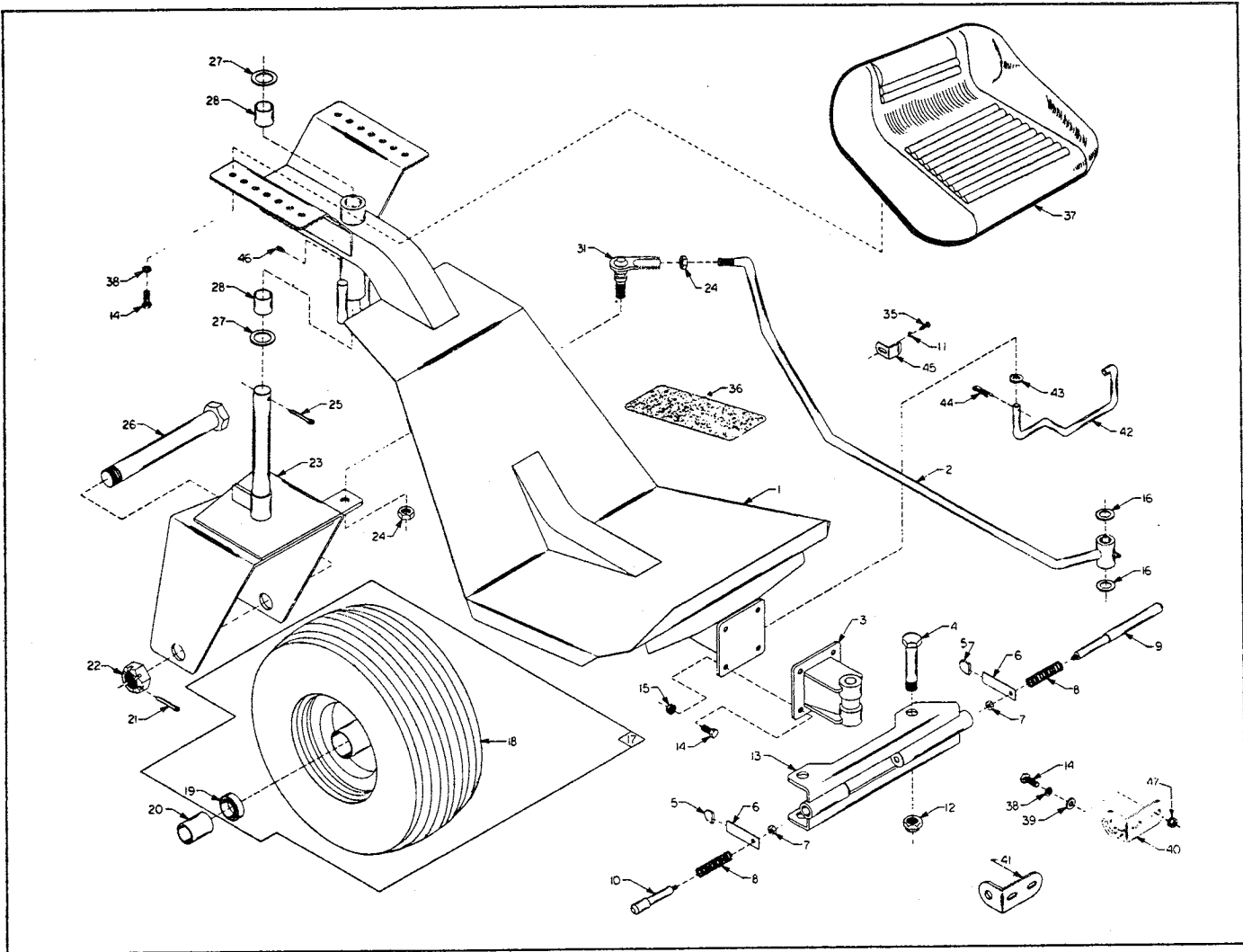


- Release hitch levers allowing pins to move into brackets "A" & "B" securing rider to mower.
- To remove rider from mower, simply slide pin "C" inward and pull rider away from mower.
- Set rider on kickstand.

TIRE PRESSURE - 30 psi.

DIMENSIONS - Height - 32"
 Width - 19"
 Length - 45"

WEIGHT - 70 lbs.
SHIPPING WEIGHT - 78 lbs.



PARTS LIST FOR B3661R RIDER

Ref. No.	Part No.	Description	No. Req'd.
1	PS5233A	Main Frame	1
2	PS5254W	Linkage, Steering	1
	PL8125	Zerk Fitting	1
3	PS5255W	Tongue Weldment	1
	PL8125	Zerk Fitting	1
4	Z29124	5/8"-18NF X 3-1/4" Hex Head Cap Screw	2
5	PL0455	Grip, Hitch Release	2
6	PS5245	Lever, Hitch Release	2
7	Z33003	5/16"-18 Self-Locking Nut	2
8	PS5237	Hitch Spring	2
9	PS5235	Hitch Pin, Long	1
10	PS5236	Hitch Pin, Short	1
11	Z34001	3/16" Flat Washer	1
12	Z71108	5/8"-18 Lock Nut W/Nylon Ring	2
13	PS5234A	Hitch Weldment	1
14	Z19004	5/16"-18 X 3/4" Hexagon Head Cap Screw	12
15	Z71103	5/16"-18 Nut, Lock W/Nylon Ring	4
16	Z35008	5/8" Machinery Bushing	2
17	PS5241A	Wheel Assembly	1
18	PS5251	Tire, 15 X 6.00-6, 4 ply Rib Tread	1
	PS5253	Rim Assembly	1
19	PS5252	Bearing	2
20	PS5243	Spacer, Wheel	2

Ref. No.	Part No.	Description	No. Req'd.
21	Z51004	1/8" X 1-1/4" Cotter Pin	1
22	PM263	3/4" Slotted Nut	1
23	PS5244A	Caster Yoke Weldment	1
24	Z32006	1/2"-20 Hexagon Head Nut	2
25	Z51027	3/16" X 1-1/2" Cotter Pin	1
26	PS5246A	Axle, Caster Yoke	1
27	Z35014	Machinery Bushing	2
28	PN0214	Bushing	2
31	PS5240	Rod End	1
35	PM260	Self-Tapping Screw	1
36	PM278	Flex Tread	2
37	PS5260	Seat Assembly	1
38	Z37003	5/16" Spring Lock Washer	8
39	Z34003	5/16" Flat Washer	4
40	PS5247A	Bracket, Hitch Mt. Weldment, Left	1
41	PS5248A	Bracket, Hitch Mt. Weldment, Right	1
42	PS5249	Sulky Stand	1
43	Z34004	3/8" Flat Washer	1
44	Z50001	Cotter Pin	1
45	PL0333	Hood Clip	1
46	P0309	Zerk Fitting	1
47	Z30003	5/16" Flange Nut	4

BUNTON CO.
"BUNTON BUILDS 'EM BETTER"

LOCATION
4601 E. INDIAN TRAIL
(At Jennings Lane)

MAILING ADDRESS
P.O. BOX 33247
Louisville, KY 40232

Phone: (502) 966-0550 • Telefax: (502) 966-0564